



A-12003 EXTERIOR MIRRORS KIT

Before you begin, read these instructions and check to be sure all parts and tools are accounted for. Please retain these instructions for future reference and parts ordering information (**Figure 1**).

Kit Components:	ITEM	QTY	DESCRIPTION	PART NO.
	1	1	MIRROR, MOUNT LH	1-46969
	2	2	MIRROR, CLAMP BRACKET	1-46971
	3	1	MIRROR, ARM	1-44148
	4	4	5/16" x 3/4" LONG BOLT	3-19340
	5	8	5/16" FLANGE NUT	3-17111
	6	4	5/16" x 1/2" LONG BOLT	3-19338
	7	1	MIRROR, MOUNT RH	1-46970
	8	1	MIRROR, ARM RH	1-43966
	9	2	MIRROR, BRITAX 011104	3-18289
	10	4	TUBE PLUG, 1/2"	3-10378

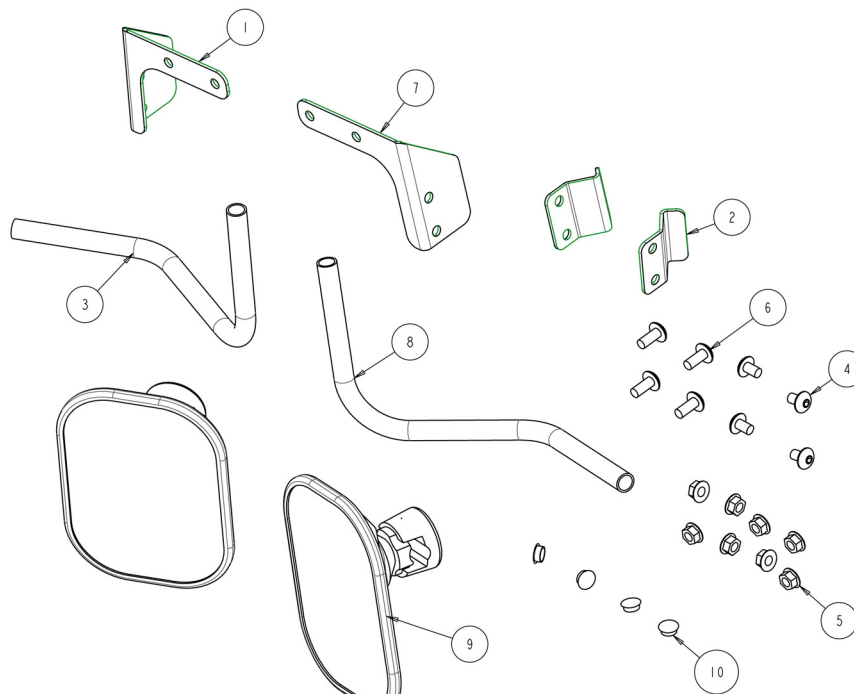


Figure 1

Installation Tools: Standard socket set and Torx wrench set.

IMPORTANT: Perform all steps correctly and completely.

Exterior Mirrors Installation (Refer to Figures 1 and 2):

1. Removal of front roof bolts may be required to lift front of roof up.
2. Remove 3/8" hole plugs on front upper cab cross member. If front work lights are installed, remove hardware that secures light and light bracket to cross member.
3. Place LH mirror mount bracket (Item 6) onto front upper cab cross member surface. If front work lights are present or are to be installed, place light bracket on outside surface of mirror mount bracket.

05-11307

November 19, 2012

4. Secure LH mount bracket (and light with bracket if present) to front cab tab using 5/16" x 3/4" button truss bolts (Item 4) and 5/16" flange nuts (Item 5).
5. Secure clamp bracket to LH mount bracket using 5/16" x 1/2" button truss bolts (Item 4) and 5/16" flange nut (Item 5).
6. Insert LH mirror arm (Item 7) into LH mount bracket (Item 6) and clamp bracket (Item 2) and tighten hardware.
7. Mount mirror head (Item 8) onto LH mirror arm (Item 7) and tighten.
8. Repeat steps 2-6 for Right Hand side using RH components.
9. Insert 1/2" hole plugs into the ends of each mirror arm.
10. Adjust mirrors and check for door clearance. Re-secure front of roof.

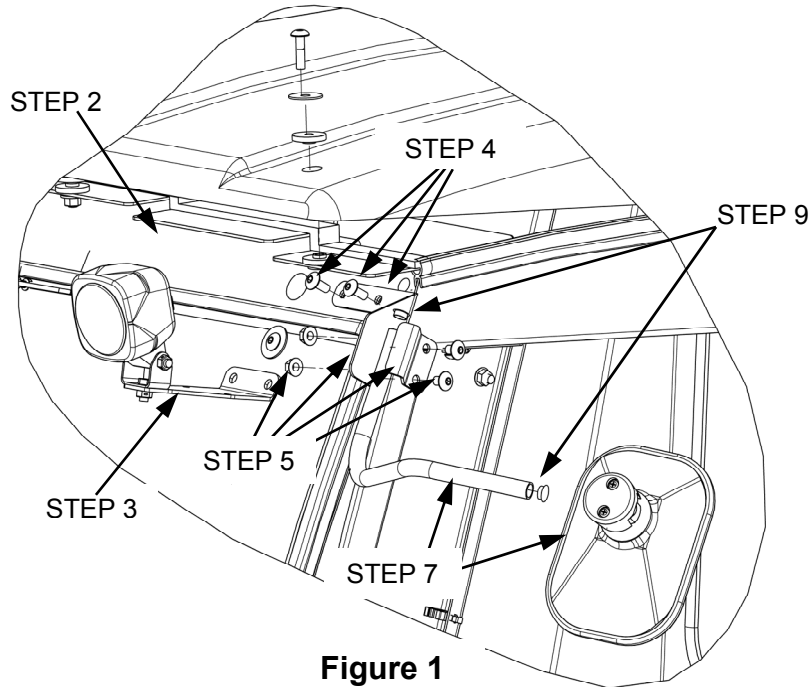


Figure 1

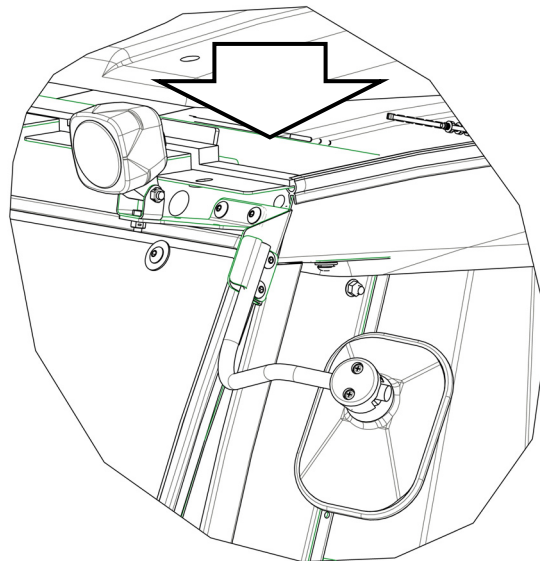


Figure 2

SP CUSTOM PRODUCTS ©2012
OF LITCHFIELD, INC.

PO BOX 70, 1715 S. Sibley Avenue, Litchfield, MN 55355-0070
Ph: (320) 693-3221 Fax: (320) 693-4833
www.CPcabs.com

05-11307
November 19, 2012