

Installation Instructions
Plastic Sunshade
For John Deere Series 1 Models 1023E and 1026R
A-11979

This Sunshade Kit fits John Deere 1023E and 1026R sub-compact utility tractors with folding ROPS, model years 2012 and newer.

SUNSHADE PARTS IDENTIFICATION;

1. Remove contents from box and identify components (**Figure 1**).

ITEM	QTY	DESCRIPTION	PART NO.
1	1	SUNSHADE, PLASTIC, GREEN ABS	3-19653
2	1	REAR CROSS MEMBER	1-48172
3	1	BRACKET, WELDMENT LH	2-16899
4	1	BRACKET, WELDMENT RH	2-16900
5	1	HARDWARE KIT, CONSISTS OF ITEMS 6-14	4-15769
6	4	U-BOLT FOR SQUARE TUBE, 2X3X2	3-18000
7	6	5/16" FENDER WASHER	3-18187
8	12	5/16" RUBBER WASHER, SHOULDER	3-16217
9	6	5/16 x 1.25" LONG, TRUSS TORX HEAD BOLT	3-18324
10	6	5/16" FLAT WASHER	3-10085
11	6	5/16" NYLOCK NUT	3-10072
12	14	3/8" NYLOCK NUT	3-10073
13	6	3/8 x 3/4" LONG, HEX HEAD BOLT	3-10393
14	8	3/8" FLAT WASHER	3-10086

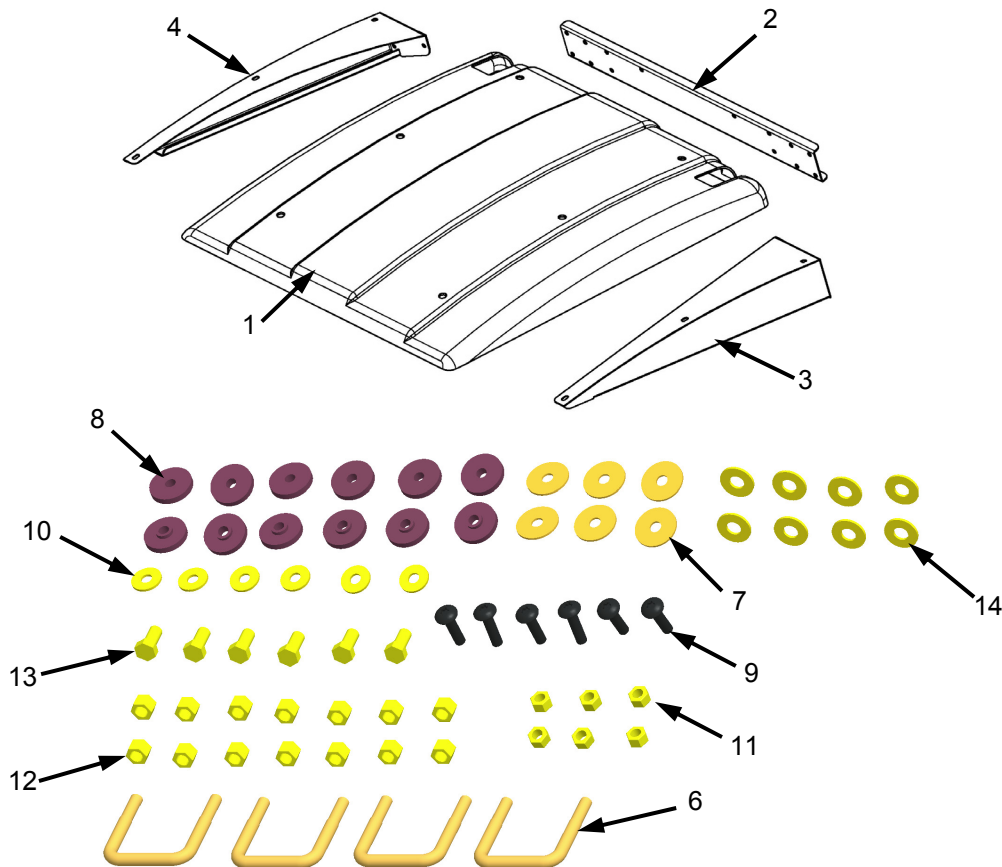


Figure 1

Installation Instructions

MOUNTING THE SUNSHADE;

2. Place and attach rear cross member (2) to outside surface of ROPS top hoop, as shown in **Figure 2**.
2. Secure to hoop using;
 - 4 - U-bolts for square tube, 3x2x3 (6)
 - 8 - 3/8" Flat washers (14)
 - 8 - 3/8" Nylock nuts (12)Tighten bolts but leave loose enough for up/down adjustment required later in these instructions.

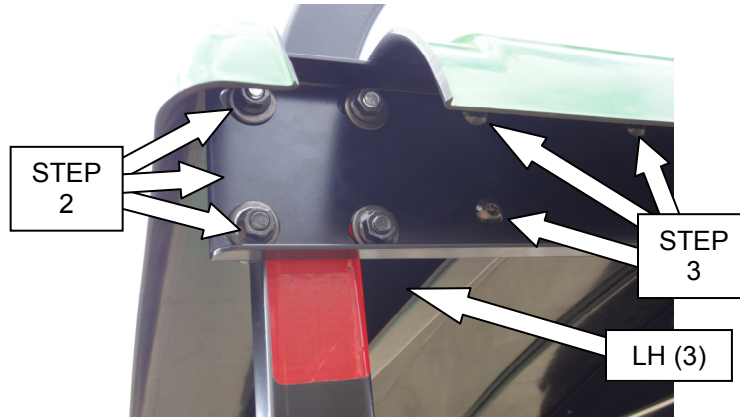


Figure 2

3. Secure LH bracket (3) and RH bracket (4) to rear cross member (2) using (**Figure 2**);
 - 6 - 3/8" x 3/4" long, hex head bolt (13)
 - 6 - 3/8" nylock nut (14)Tighten bolts but leave loose enough for some adjustment if needed.
4. Place plastic roof (1) on top of LH and RH brackets and secure to brackets using (**Figure 3**);
 - 6 - 5/16" x 1.25" long, truss torx head bolt (9) (top side of roof)
 - 6 - 5/16" fender washer (7) (top side of roof)
 - 12 - 5/16" rubber washer, shoulder (8) (one washer on each side of roof)
 - 6 - 5/16" flat washer (10) (bottom side of brackets)
 - 6 - 5/16" nylock nut (11) (bottom side of brackets)
5. Move roof assembly upward and tighten U-bolts.
6. Adjust roof to make sure it's level and tighten any remaining loose hardware.

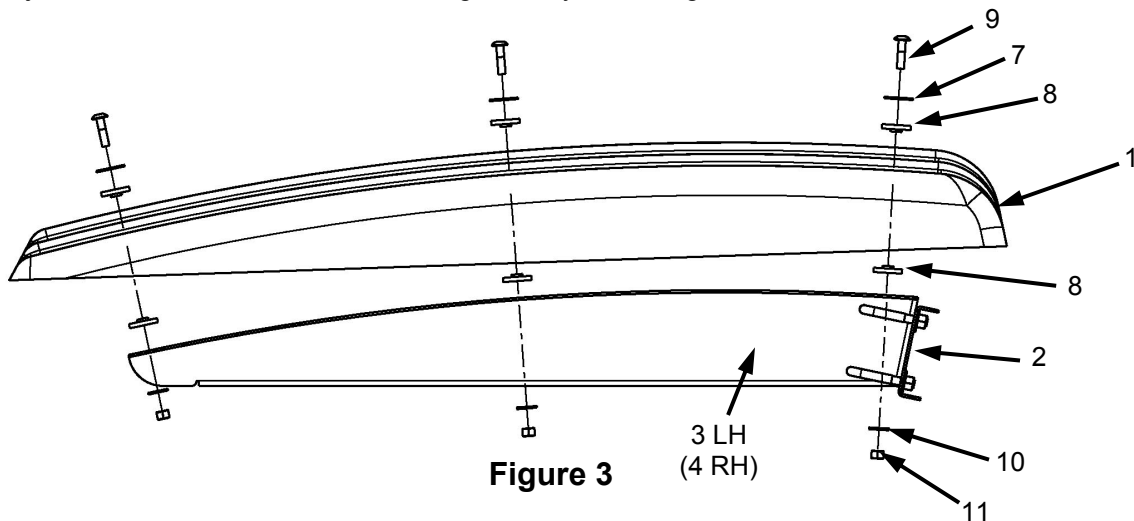


Figure 3

CUSTOM PRODUCTS ©2011
OF LITCHFIELD, INC.

PO BOX 70, 1715 S. Sibley Avenue, Litchfield, MN 55355-0070
Ph: (320) 693-3221 Fax: (320)693-4833
www.CPcabs .com

05-11282
5/1/2012