

MOUNTING INSTRUCTIONS



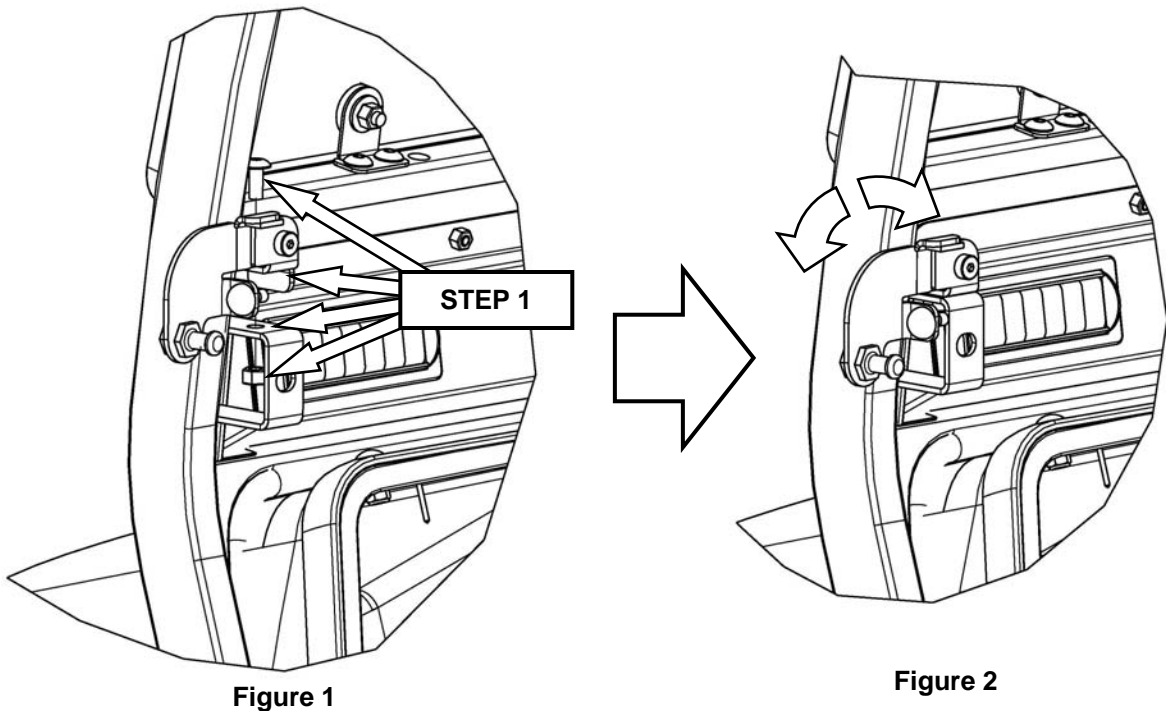
A-11760 DOOR HOLD-OPEN KIT

Before you begin, read these instructions and check to be sure all parts and tools are accounted for. Please retain these instructions for future reference and parts ordering information.

| Kit Components: | ITEM | QTY | DESCRIPTION | P/N |
|-----------------|------|-----|----------------------------|----------|
| | 1 | 1 | MOUNTING INSTRUCTIONS | 05-11050 |
| | 2 | 1 | DOOR HOLD-OPEN ASSEMBLY LH | 4-15414 |
| | 3 | 1 | DOOR HOLD-OPEN ASSEMBLY RH | 4-15415 |

1. Install door hold-open components to each side of the cab's striker mount plates as shown in figures 1 through 4. Use 5/16 x 3/4" long truss button bolt and 5/16" nylock nut supplied with kit.
2. Hold-open lever should be rotated horizontally to catch the door latch when closing. See figures 2, 3 and 4.

Important! Never transport machine down highway with doors in the hold-open position!



MOUNTING INSTRUCTIONS

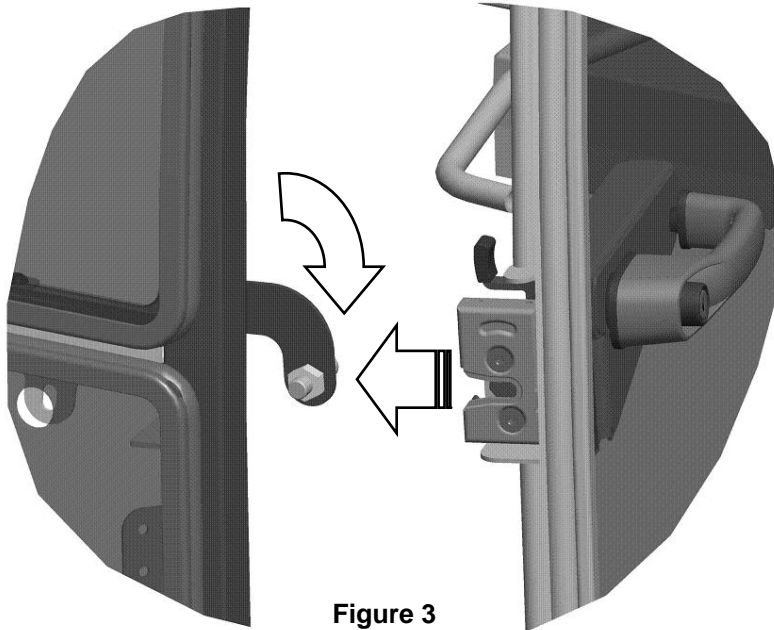


Figure 3

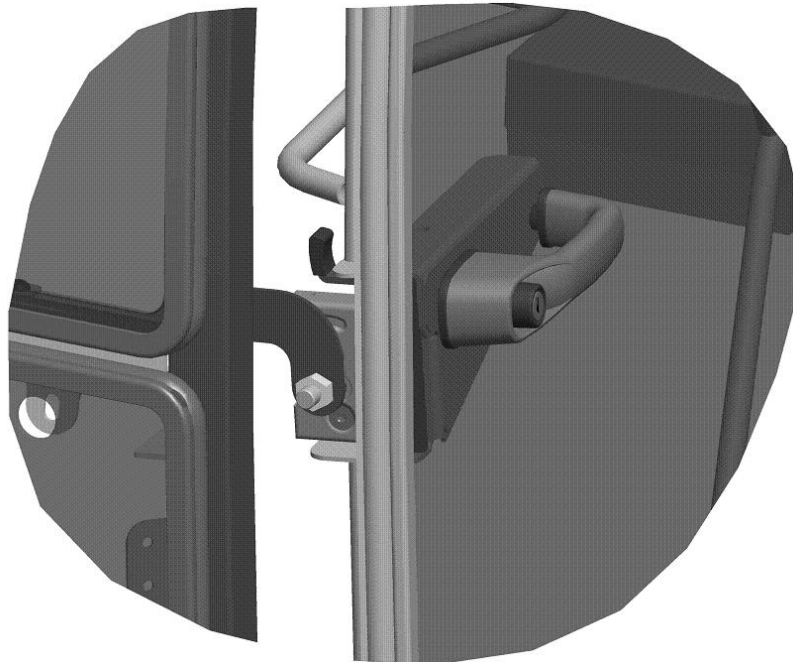
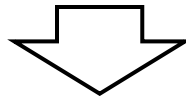


Figure 4

Manufactured by:



BOX 70 • LITCHFIELD, MINNESOTA 55355-0070
(320) 693-3221 Fax: (320) 693-7252

www.800cabline.com

05-11050_DOOR_HOLD.doc
October 11, 2010