



Bimini Sunshade for 2-Post Roll Bar

Part Number 115-4510 and/or Model 30358

THE BIMINI SUNSHADE

The Bimini Sunshade fits various Toro 2-post models with roll bars measuring 28-34 inches wide from outside to outside. DO NOT allow children to operate the vehicle. Do not allow adults to operate vehicle without proper instructions. Keep all shields and safety devices in place. If a safety device, shield or decal malfunctions, becomes damaged or illegible, replace it before operation is commenced. To assure vehicle is in safe operating condition, tighten loose nuts, bolts and screws.

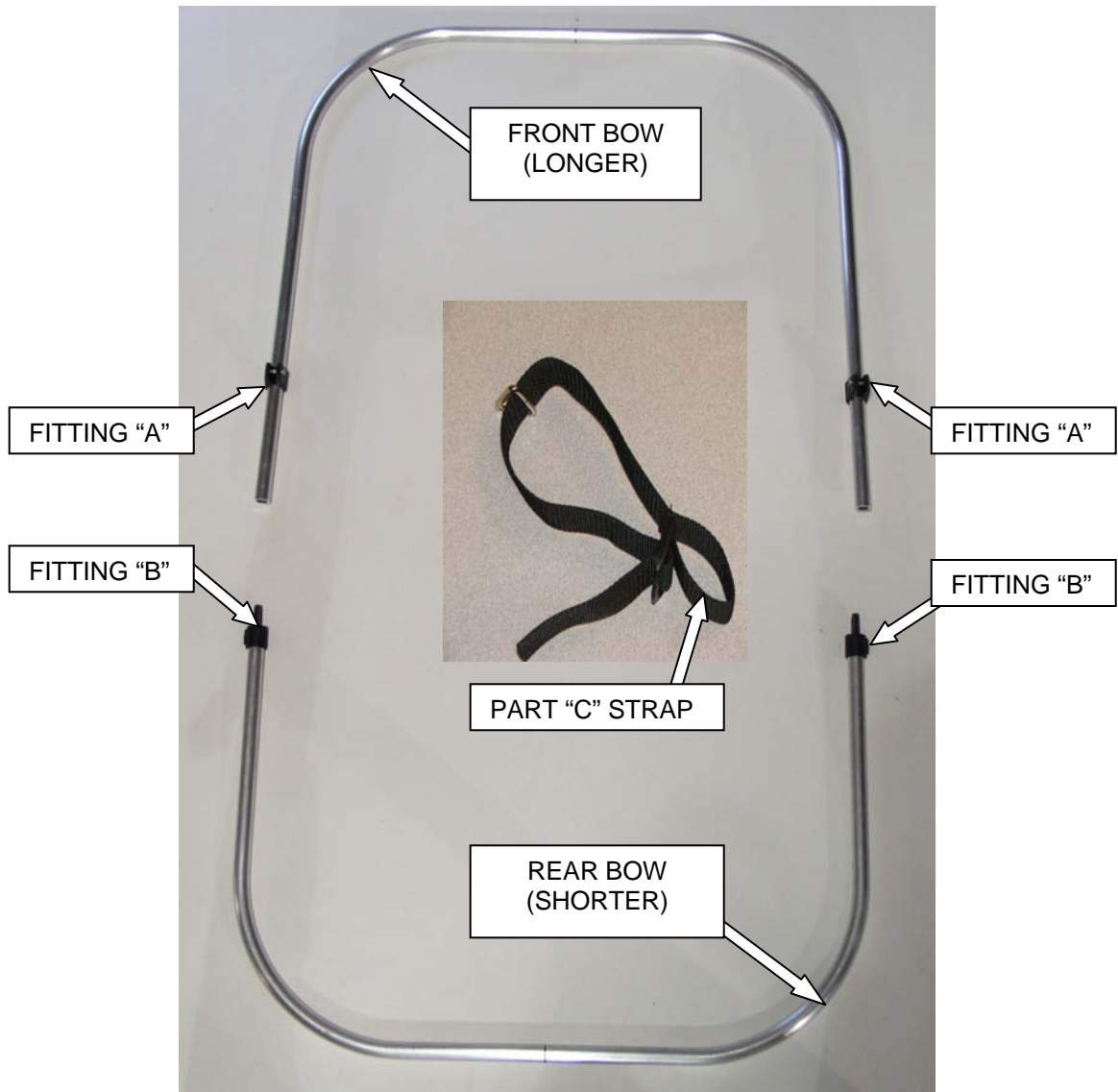


FIGURE 1

MANUFACTURED BY:



ASSEMBLE THE BIMINI SUNSHADE

1. Remove contents from box and lay out the pieces shown in figure 1.
2. Unfold canvas and lay on flat surface with the sewn pockets side facing up.
3. Find the front of the Bimini canvas (the tag(s) will be at the back) and slide the front bow through the front pocket with the plastic fitting (A) pointing towards the Bimini canvas.
4. Slide the rear bow through the rear pocket in the Bimini canvas.
5. Take the straps (C) and slide the sewn loops with the cinch-loc on to the ends of the rear bow just past the fittings (B).
6. Remove screw from fitting (A). Align holes on fittings (A) and (B) and re-install screw.
7. Route strap thru triangular metal ring.
8. Route strap thru open slot in cinch-loc and then back thru cinch-loc slot with serrated edge.

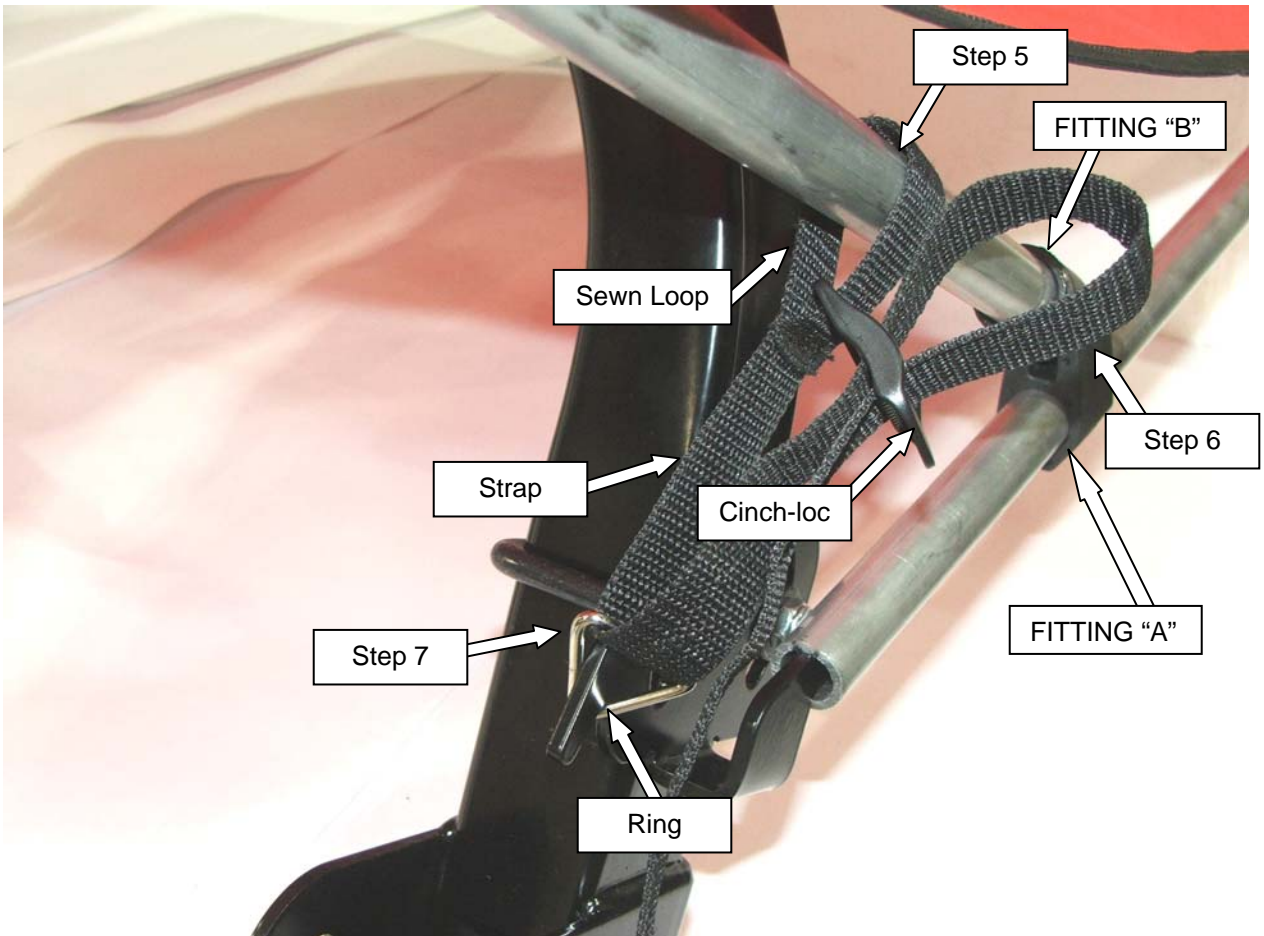


FIGURE 2

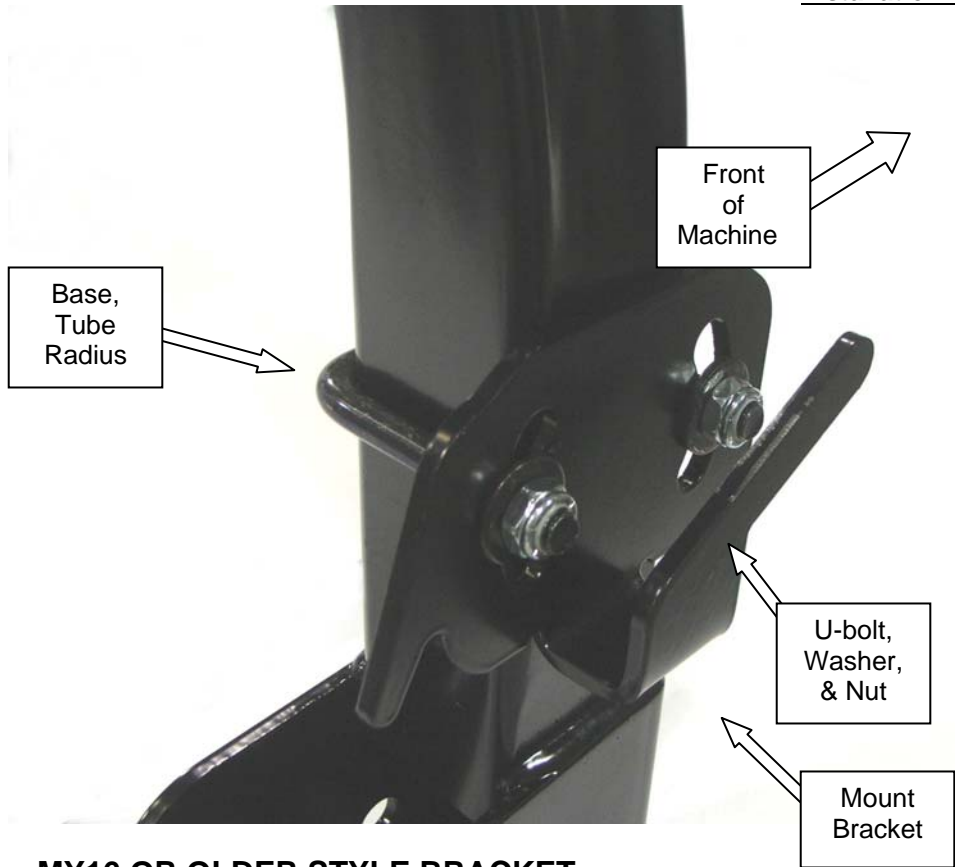


FIGURE 3 – MY16 OR OLDER STYLE BRACKET

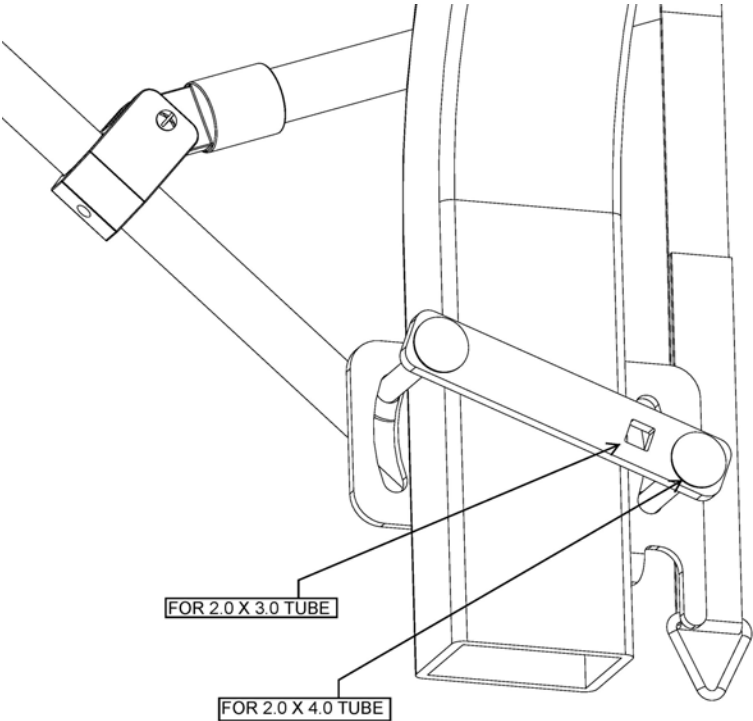


FIGURE 4 – MY17 OR NEWER STYLE BRACKET

MOUNTING THE BIMINI SUNSHADE

9. Park unit on level surface and engage parking brake.
10. Depending on the model year of the machine, assemble on each side (1) Mount Bracket with (1) U-bolt or (2) carriage bolts, (2) flat washers and (2) nuts.
Orientate Mount Bracket to extend towards front of machine (see figure 3 and 4).
11. Assemble Mount Bracket at the base of the tube radius. Tighten bolts but leave loose enough for some up/down adjustment if needed later in the assembly process.
12. Position assembly to have folding portion facing up as shown in figure 5.
13. Insert formed aluminum tubes with fabric into the mount brackets (see figure 5).
14. Lightly push tubing to verify that assembly is seated completely in mount brackets (see figure 5).

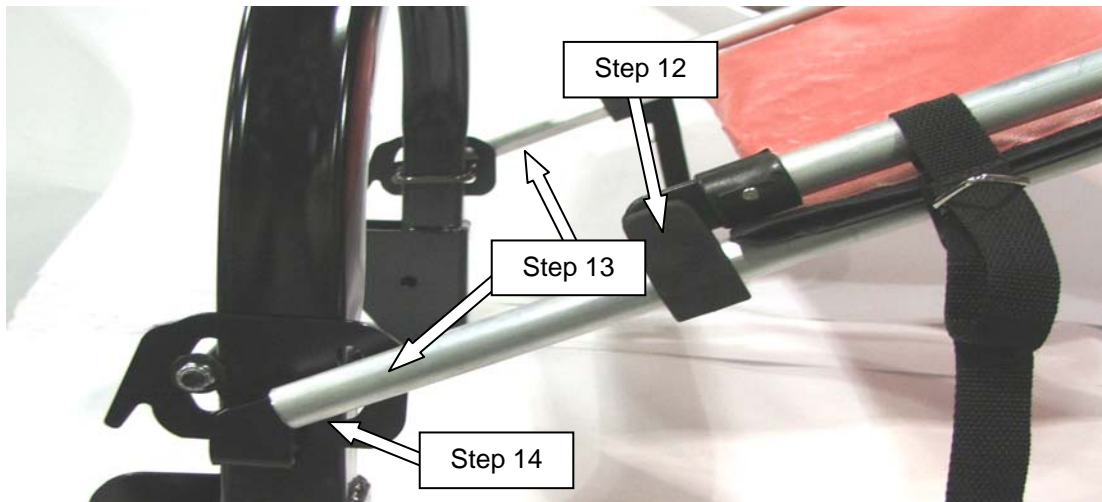


FIGURE 5



FIGURE 6

15. Unfold fabric, hook ring onto mount brackets, and adjust tension straps until bimini fabric tightens.
Fittings "A" on front hoop can be adjusted towards the mount to increase overall height.
16. View the front and back to make sure the Bimini looks centered and level on machine.
17. Tighten hardware on U-bolts-mount brackets.

18. Important! The Bimini Sunshade is not designed for highway speeds. Remove the Bimini Sunshade and aluminum tubes for highway transport.

19. Recommended Bimini removal process:

A) Apply downward force on rear bow of Bimini.

B) With tension temporarily relieved on strap, unhook rings. When rings and straps are loose from hooks, fold fabric over and pull assembly from mounting brackets.

MANUFACTURED BY:



BOX 70 • LITCHFIELD, MINNESOTA 55355

(320) 693-3221

1-800-222-5463 www.cpcabs.com