

MOUNTING INSTRUCTIONS



A-12144

FRONT LED WORK LIGHTS KIT

FOR JD 20 SERIES COZY CABS A-11858

Before you begin, read these instructions and identify all components. Please retain these instructions for future reference and parts ordering information.

Note: Cab should be installed prior to installing this kit.

| Kit Components: | ITEM | QTY | DESCRIPTION | P/N |
|-----------------|------|-----|---|---------|
| | 1 | 2 | MOUNT BRACKET, FRONT LIGHTS | 1-48797 |
| | 2 | 2 | FLAT WASHER, .25" | 3-10084 |
| | 5 | 1 | FUSE, 5 AMP | 3-18672 |
| | 6 | 4 | NYLON TIE, BLACK | 3-16629 |
| | 8 | 1 | ROCKER SWITCH BODY | 3-18189 |
| | 9 | 1 | ROCKER SWITCH ACTUATOR | 3-18514 |
| | 10 | 1 | WIRE HARNESS, FRONT LIGHTS | 3-19322 |
| | 11 | 4 | BOLT, 5/16" x .75" LONG, BUTTON TORX HEAD | 3-19340 |
| | 12 | 1 | WIRE HARNESS, FUSE BLOCK TO SWITCH | 3-19686 |
| | 13 | 2 | LIGHT, LED ROUND BULLIT | 3-20245 |
| | 14 | 4 | NUT, 5/16" FLANGE NYLOCK | 3-20329 |

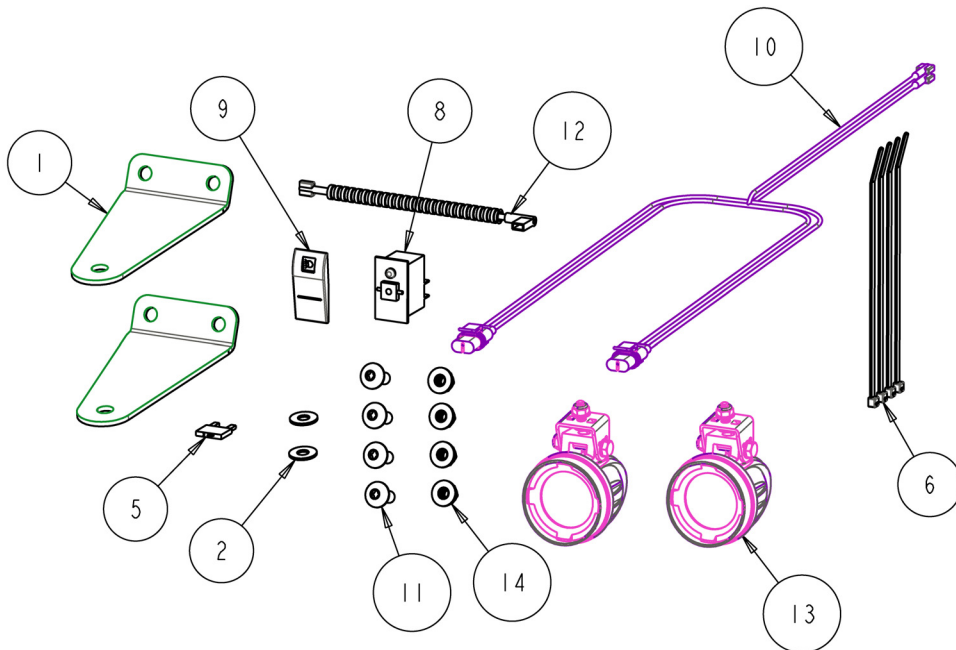


Figure 1
(Parts Identification)

MOUNTING INSTRUCTIONS

INSTALLATION STEPS;

- 1) Disconnect battery. Remove front bolts that secure front of roof to cab.
- 2) Secure each work light (13) with $\frac{1}{4}$ " flat washer (2) to light mount bracket (1), using metric hardware supplied with each light (**Figure 2**).
- 3) Remove (4) $\frac{3}{8}$ " hole plugs from front of cab, just above the front window (**Figure 2**).
- 4) Secure each work light with bracket onto front of cab using (**Figure 2**);
 - (2) $\frac{5}{16}$ " x .75" long bolts (11)
 - (2) $\frac{5}{16}$ " nylock flange nuts (14)
- 5) Connect mating ends of front lights wire harness (10) to each front light (13).
- 6) Route remaining end of wire harness (10) from each work light to the switch panel fuse block location (**Figure 2**).
- 7) From inside of cab, remove 4 bolts that secure the overhead switch panel. Allow panel to tip down.

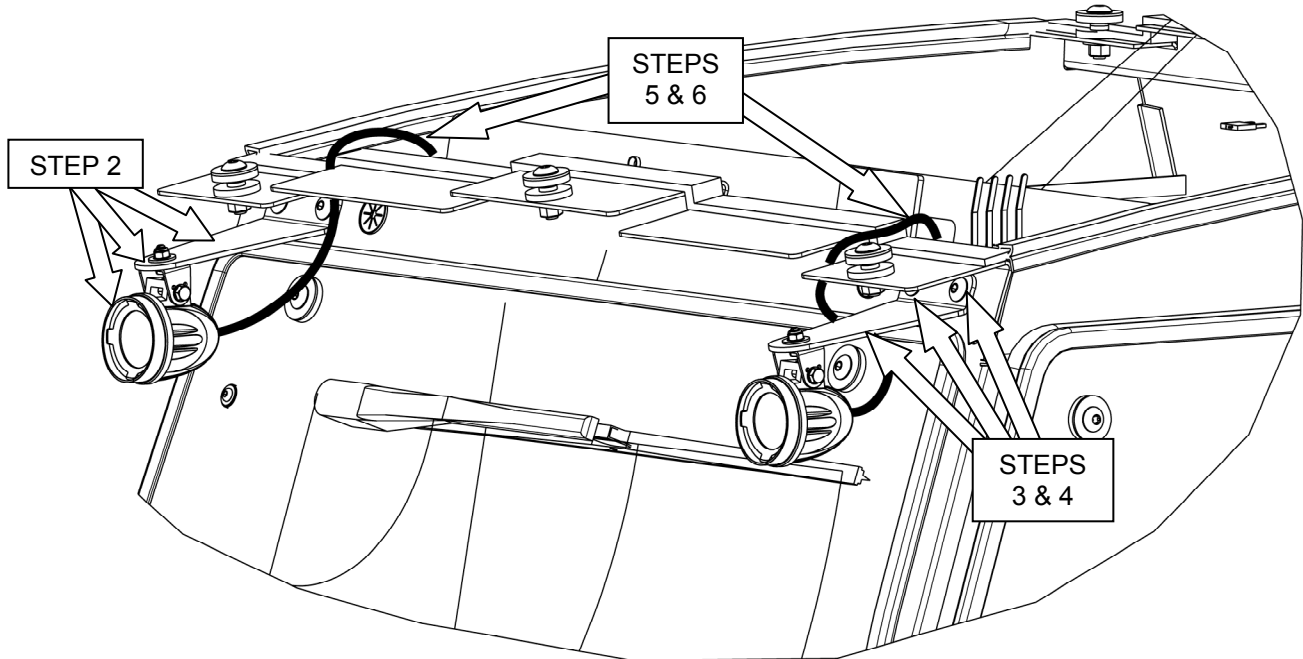


Figure 2
(Roof not shown)

- 8) Select an empty location on switch panel to install rocker switch (8). Remove rectangular knockout (**Figure 3**).
- 9) Route switch end of wire harness (10) through switch knockout. Connect red wire to rocker switch (8) terminal 3 (**Figures 3 & 4**).
- 10) Connect black wire of harness (10) labeled -12VDC Lights to ground terminal of fuse block (**Figures 3 & 5**).
- 11) Remove fuse block access cover from switch panel and select an empty fuse terminal location (**Figure 5**). Connect 90 degree end of wire harness to the empty fuse terminal location (**Figures 3 & 5**).
- 12) Connect remaining end of fuse block to switch wire harness (12) to the empty fuse terminal location through switch knockout hole and connect to rocker switch (8) terminal 2 (**Figures 3 & 4**).
- 13) Attach switch actuator (9) to rocker switch (8), then install switch into knockout (**Figure 3**).
- 14) Install 5 amp fuse into fuse block location selected in Step 11 (**Figure 5**).

MOUNTING INSTRUCTIONS

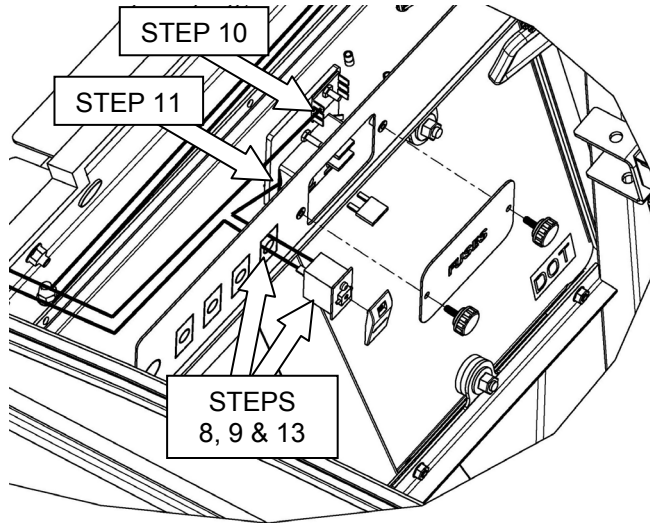
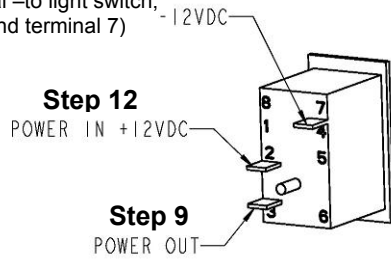


Figure 3
(Roof not shown)

(Optional –to light switch,
ground terminal 7)



ROCKER SWITCH 3-18189
20A MAX AT 12VDC
TYPICAL SWITCH WIRING

Figure 4

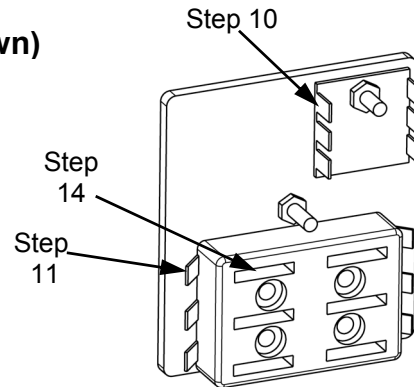


Figure 5
(Fuse block)

Completing installation:

- 15) Re-connect battery. Turn tractor's ignition key to "On".
- 16) Turn lights on and off to check proper operation. Check coverage area and adjust lights if needed.
- 17) Secure wire harnesses using nylon ties (6).
- 18) Re-install roof, switch panel and fuse block access cover.

CP **CUSTOM PRODUCTS** ©2014
OF LITCHFIELD, INC.

PO BOX 70, 1715 S. Sibley Avenue, Litchfield, MN 55355-0070
Ph: (320) 693-3221 Fax: (320) 693-4833
www.CPcabs.com