



A-12099

TEMPERED GLASS HARD DOORS KIT

FOR JDX MY14 COZY CABS A-12098

Before you begin, read these instructions and identify all components. Please retain these instructions for future reference and parts ordering information.

Note: Cab should be installed prior to installing doors kit. Refer to kit components and Figure 1 for general layout.

Kit Components:

ITEM	QTY	PART No.	DESCRIPTION
1	1	4-16059	DOOR ASSEMBLY, LH
2	1	4-16060	DOOR ASSEMBLY, RH
3	1	4-16070	HARDWARE KIT, CONSISTS OF ITEMS A-E
A	2	3-11821	BALL STUD
B	4	3-15971	BRASS WASHER FOR HINGE
C	2	3-18070	JAM NUT, M10
D	2	3-19563	STRIKER STUD, M10 X 13MM LG
E	1	05-11533	MOUNTING INSTRUCTIONS

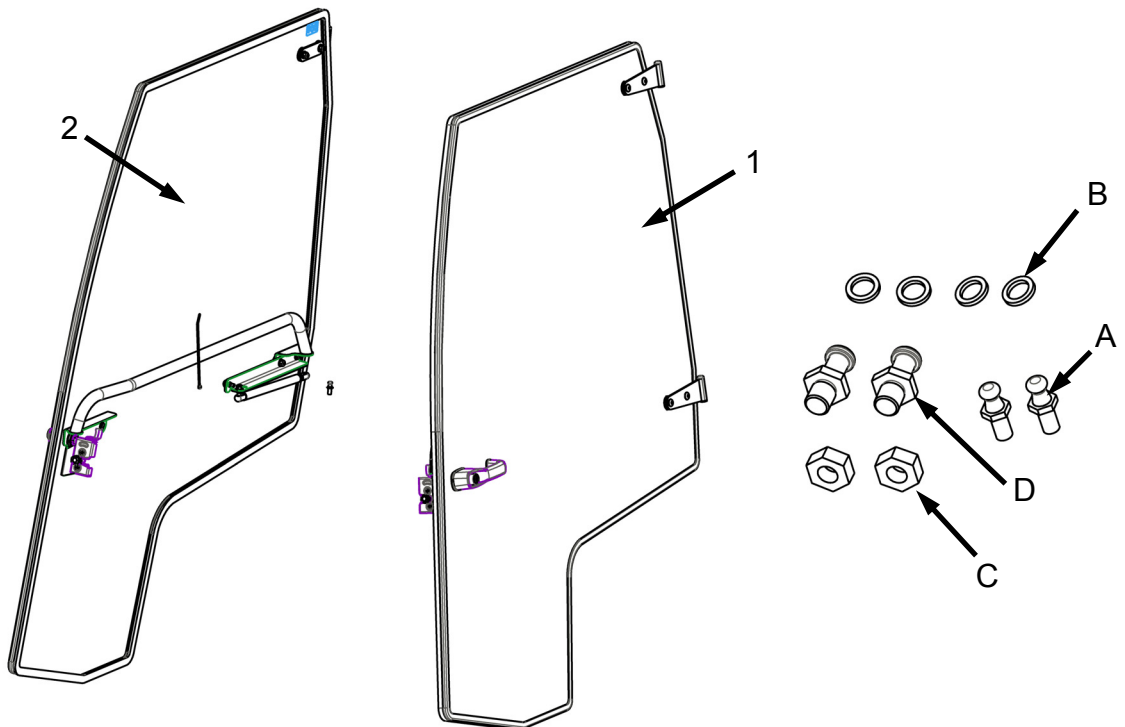
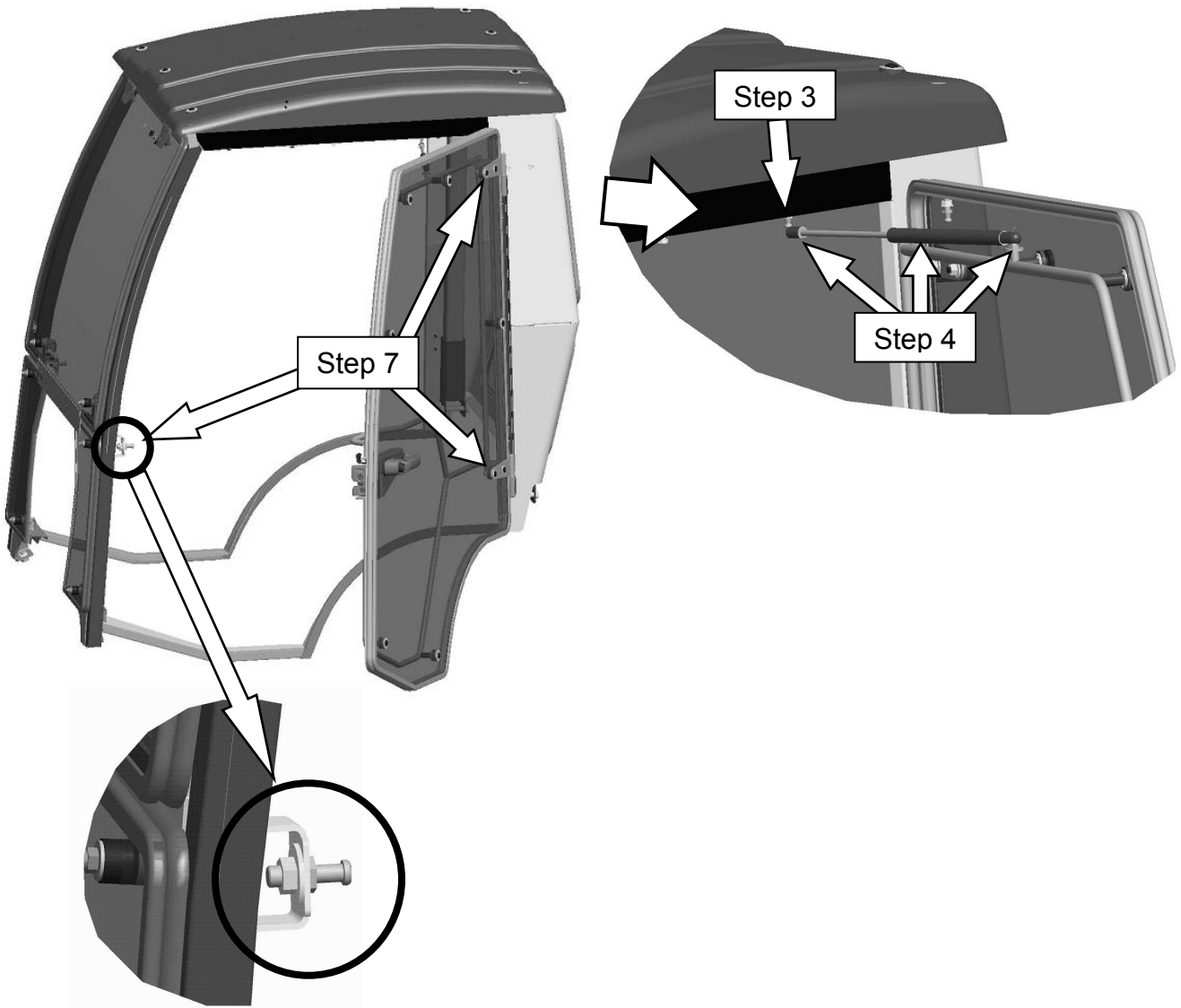


Figure 1
(General Layout)

MOUNTING INSTRUCTIONS

Mounting the doors (If not already installed from factory);

1. Place brass washer (B) onto each door mount hinge pin.
2. Place LH door assembly (1) onto LH door mount pins.
3. Install ball stud (A) onto each side of cab header.
4. Connect gas spring to cab header panel ball stud (A) using gas spring already installed on door.
5. Install 10mm striker stud (D) onto front LH cab frame striker mount location. Secure stud using a 10mm jam nut (C).
6. Locate door handle keys (Supplied tied to inside door handle from factory) and set aside.
7. The latch is a 2-position rotary latch. Close and open door. The correct latch position would be the 2nd (Click) inward position, when closed. Adjust striker stud (D) and glass door hinges as needed to get proper alignment.
8. Repeat steps 2 through 7 on RH side of cab using RH components.



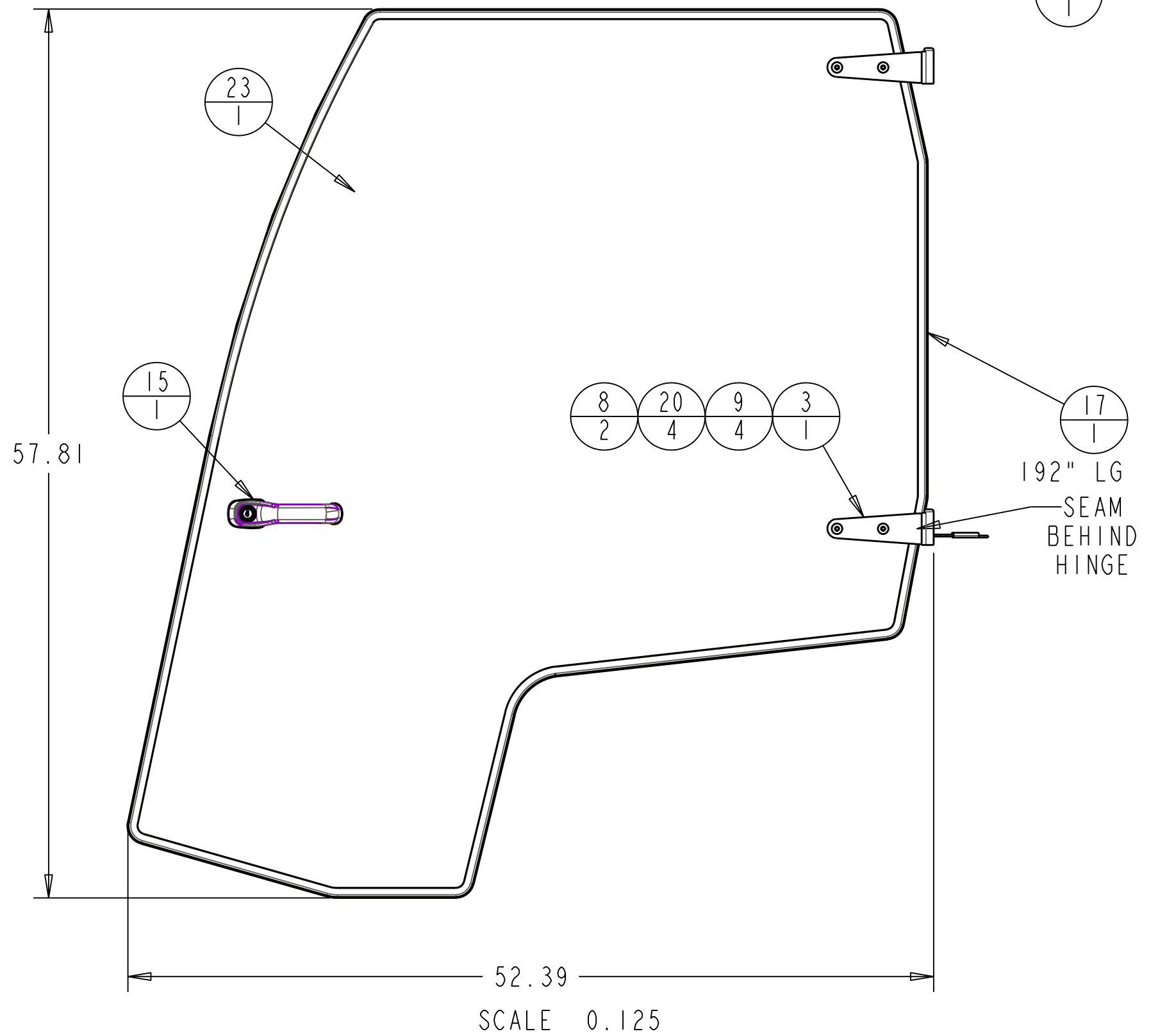
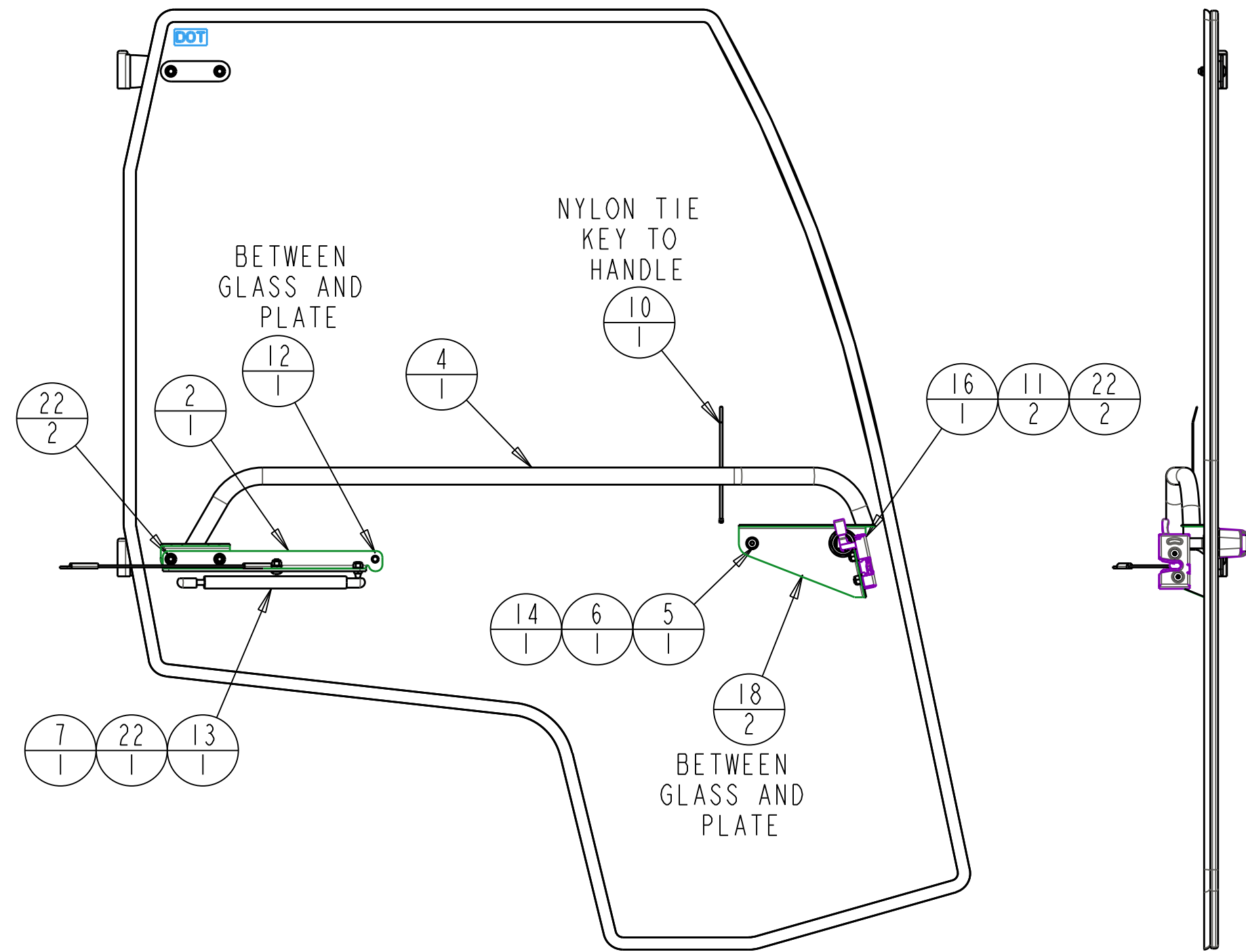
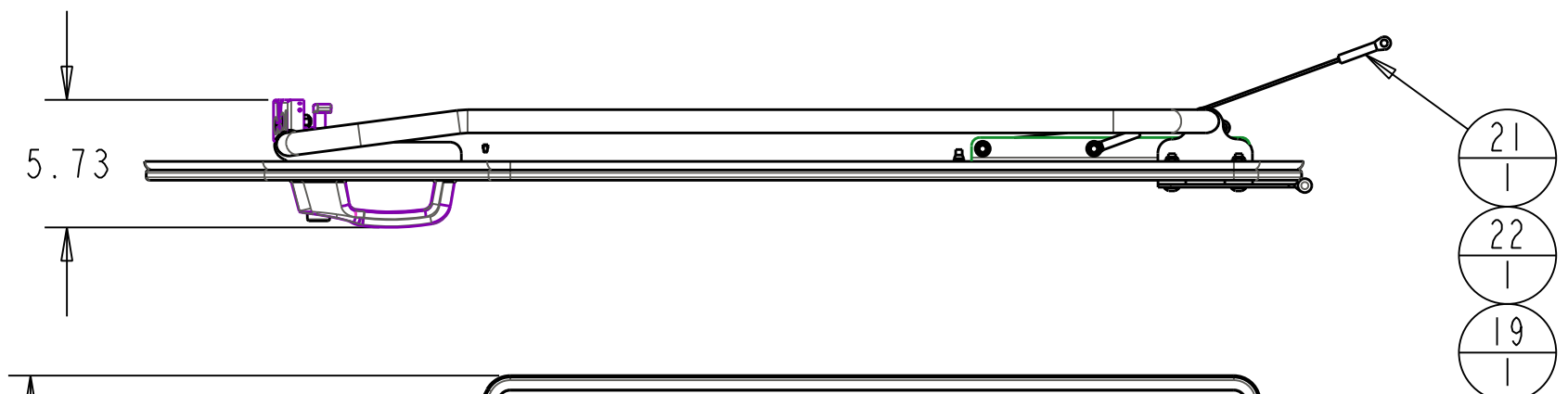
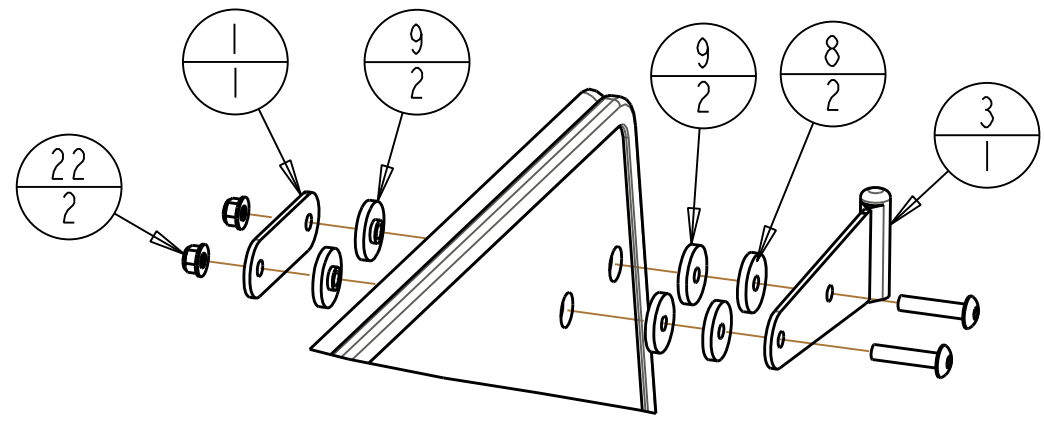
CUSTOM PRODUCTS ©2014
OF LITCHFIELD, INC.

PO BOX 70, 1715 S. Sibley Avenue, Litchfield, MN 55355-0070
Ph: (320) 693-3221 Fax: (320) 693-7252
www.800cabline.com

05-11533
December 10, 2013

NAME:CAD2 OBJECT:4-16059 DATE:25-Feb-14 07:59:16

REV.	DCR NO.	DESCRIPTION	DRAFTSMAN	DATE
A	-	GAS SPRING 3-18584 WAS 3-13024	CAD	10-18-13
B	11185	ADDED LANYARD, NUT AND BOLT	CAD	01-21-14
C	11236	BOLT 3-19055 WAS 3-18312	CAD	02-25-14



ITEM #	DESCRIPTION	QTY	ITEM #	DESCRIPTION	QTY
1	1-48564_CAP_PLATE	1	12	3-18480_RUB BUMPER_W_FLANGE	1
2	1-49228_GS_MOUNT_LH	1	13	3-18584_GAS-SPRNG_50LB_CLOSED	1
3	2-16504_HINGE_DOOR_WELDMENT	2	14	3-19055_MSCR_M6X30_TH-TORX	1
4	2-17130_HANDLE_LH_WELD	1	15	3-19307_HANDLE_EXTERIO_INST	1
5	3-10076_250_LOCK_WASHER	1	16	3-19308_LATCH_DLP_615100-2_SW	1
6	3-10084_250_WASHER	1	17	3-19324_BUB_RUB_192_LG	1
7	3-11821_BALL_STUD	1	18	3-19325_FOAM_SPACER_DOOR	2
8	3-15769_RUB-WASHER_371DX1250D	4	19	3-19340_MSCR_313X75_TRUSS_TORX	1
9	3-16217_GLASS_WASHER	8	20	3-19342_MSCR_313X150_TRUSS_TORX	4
10	3-16629_CABLE_TIE_STD_FLAT	1	21	3-19614_LANYARD_312_X_1388	1
11	3-18453_MSCR_312-18X125_FH_TORX	2	22	3-20329_NUT_NYLOC_FLNG_312	8
			23	3-20379_DOOR_GLASS	1



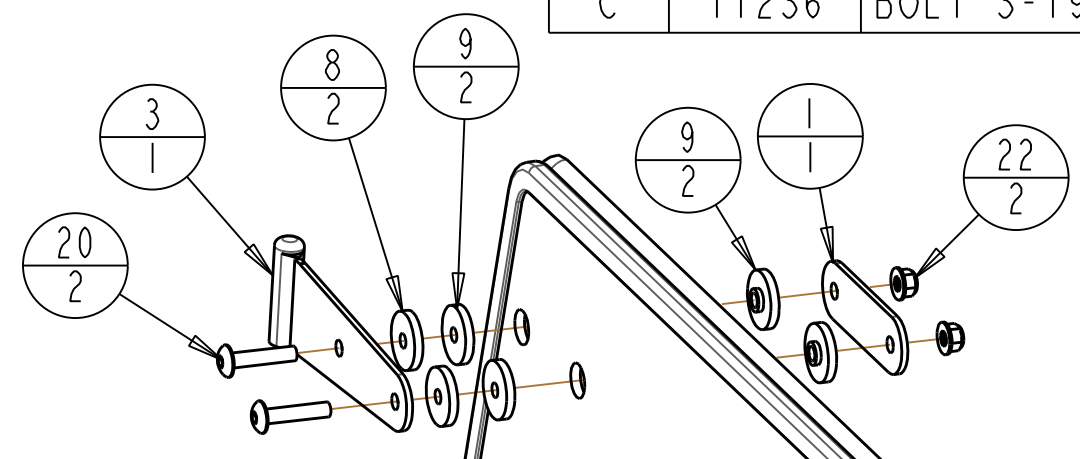
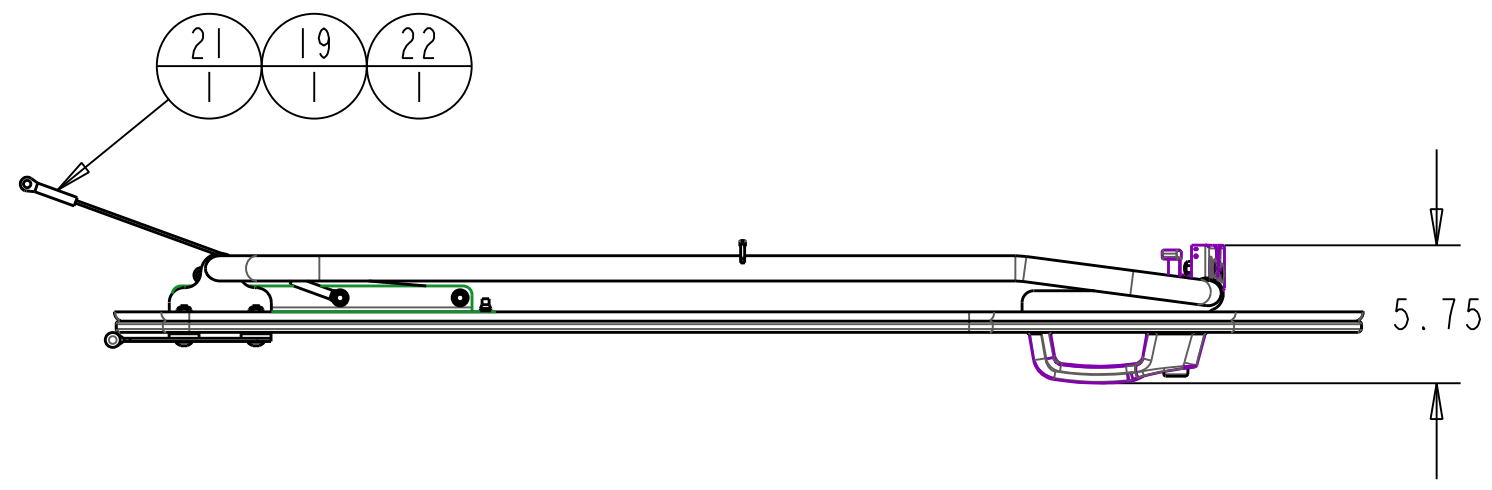
REF MIRROR PART 4-16060

THIS DOCUMENT CONTAINS CONFIDENTIAL INFORMATION AND IS THE PROPERTY OF CUSTOM PRODUCTS OF LITCHFIELD, INC. AND MAY NOT BE COPIED, REPRODUCED OR DISCLOSED IN ANY MANNER WITHOUT EXPRESSED WRITTEN CONSENT FROM CUSTOM PRODUCTS OF LITCHFIELD, INC.

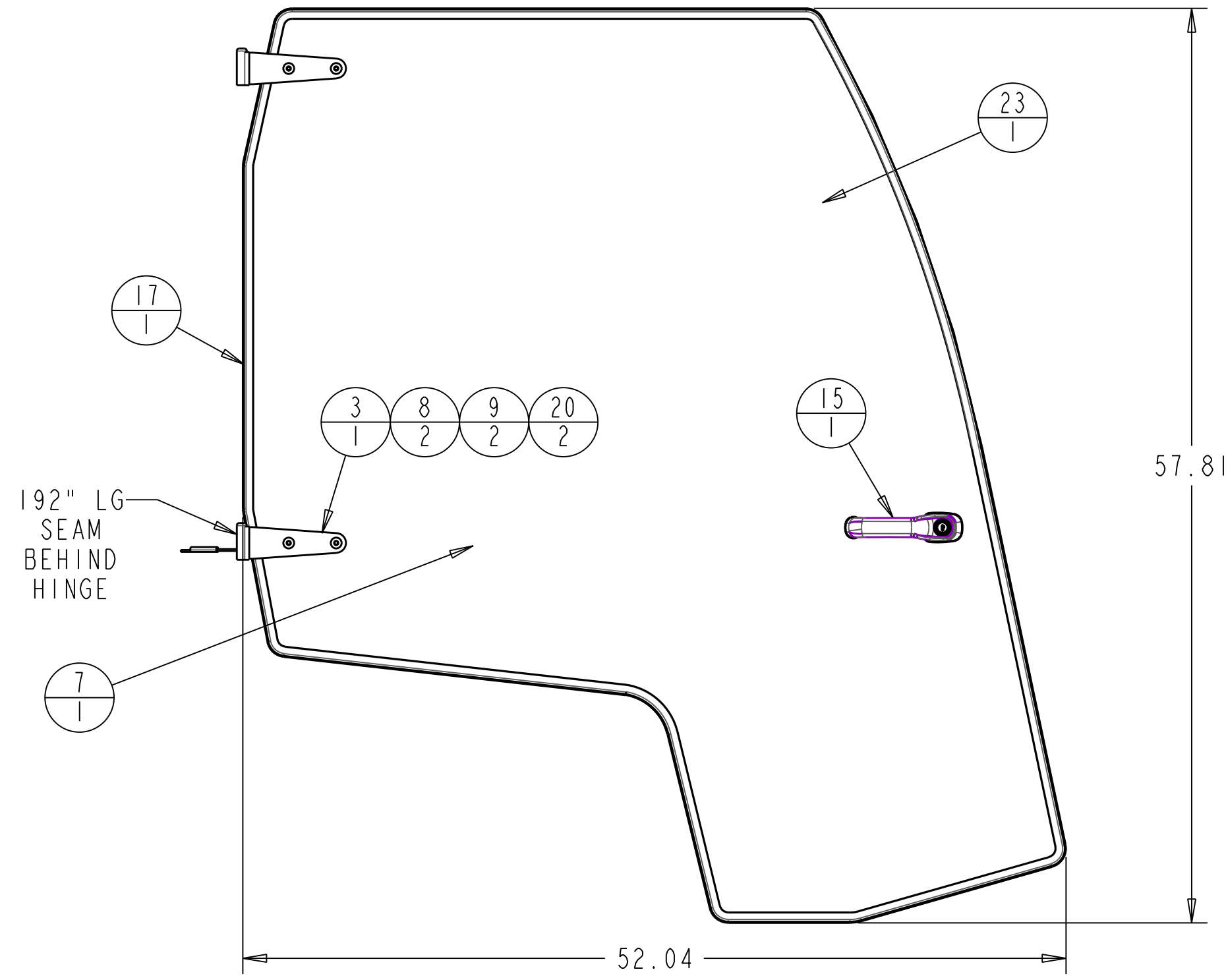
TOLERANCES UNLESS NOTED OTHERWISE .X ± .09 .XX ± .06 .XXX ± .03 HOLE SIZE .06/-010 ANGLE ± 5°	CUSTOMER NAME & MOD NO.: JDX A-12099 MY14	MATL SPEC:
CUSTOM PRODUCTS 1715 SOUTH SIBLEY AVE. LITCHFIELD, MN 55355		
TITLE DOOR ASSEMBLY, LH	DRWG SIZE C	DRWG NO. 4-16059
	DATE 09-30-13	REV LEVEL C

NAME:CAD2 OBJECT:4-16060 DATE:25-Feb-14 08:03:27

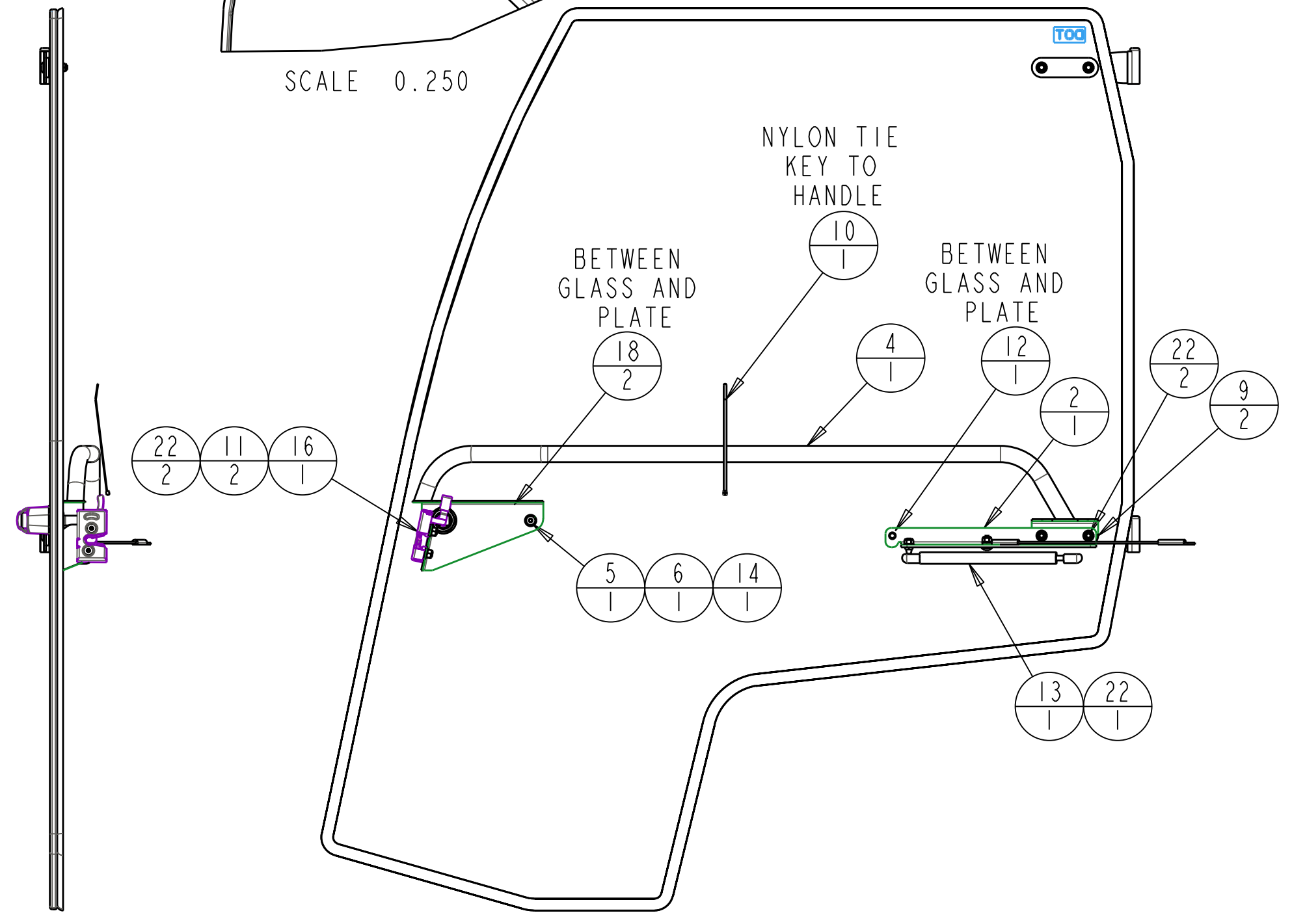
REV.	DCR NO.	DESCRIPTION	DRAFTSMAN	DATE
A	-	GAS SPRING 3-18584 WAS 3-13024	CAD	10-18-13
B	11185	ADDED LANYARD, NUT AND BOLT	CAD	01-21-14
C	11236	BOLT 3-19055 WAS 3-18312	CAD	02-25-14



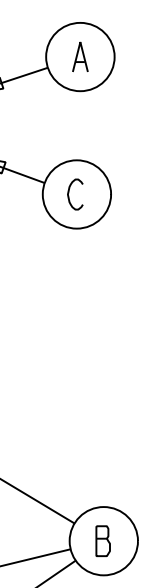
SCALE 0.250



SCALE 0.125



ITEM #	DESCRIPTION	QTY	12	3-18480_RUB BUMPER_W_FLANGE	1
1	1-48564_CAP_PLATE	1	13	3-18584_GAS-SPRNG_50LB_CLOSED	1
2	1-49229_GS_MOUNT_RH_MIR	1	14	3-19055_MSCR_M6X30_TH-TORX	1
3	2-16504_HINGE_DOOR_WELDMENT	2	15	3-19307_HANDLE_EXTERIO_INST	1
4	2-17138_HANDLE_RH	1	16	3-19309_LATCH_DLP_615100-1_SW	1
5	3-10076_250_LOCK_WASHER	1	17	3-19324_BUB_RUB_192_LG_MR	1
6	3-10084_250_WASHER	1	18	3-19325_FOAM_SPACER_DOOR	2
7	3-11821_BALL_STUD	1	19	3-19340_MSCR_313X75_TRUSS_TORX	1
8	3-15769_RUB-WASHER_371DX1250D	4	20	3-19342_MSCR_313X150_TRUSS_TORX	4
9	3-16217_GLASS_WASHER	8	21	3-19614_LANYARD_312_X_1388	1
10	3-16629_CABLE_TIE_STD_FLAT	1	22	3-20329_NUT_NYLOC_FLNG_312	8
11	3-18453_MSCR_312-18X125_FH_TORX	2	23	3-20379_DOOR_GLASS_MIR	1



REF MIRROR PART 4-16059

THIS DOCUMENT CONTAINS CONFIDENTIAL INFORMATION AND IS THE PROPERTY OF CUSTOM PRODUCTS OF LITCHFIELD, INC. AND MAY NOT BE COPIED, REPRODUCED OR DISCLOSED IN ANY MANNER WITHOUT EXPRESSED WRITTEN CONSENT FROM CUSTOM PRODUCTS OF LITCHFIELD, INC.

TOLERANCES UNLESS NOTED OTHERWISE	CUSTOMER NAME & MOD NO: JDX A-12099 MY14	MATL SPEC:
.X ± .09 .XX ± .06 .XXX ± .03 HOLE SIZE .05/-010 ANGLE ± 5°	CUSTOM PRODUCTS 1715 SOUTH SIBLEY AVE. LITCHFIELD, MN 55355	
TITLE	DRWG SIZE	DRWG NO.
DOOR ASSEMBLY, RH	C	4-16060
	REV LEVEL	C
DRAWN: CAD	DATE	09-30-13