

MOUNTING INSTRUCTIONS

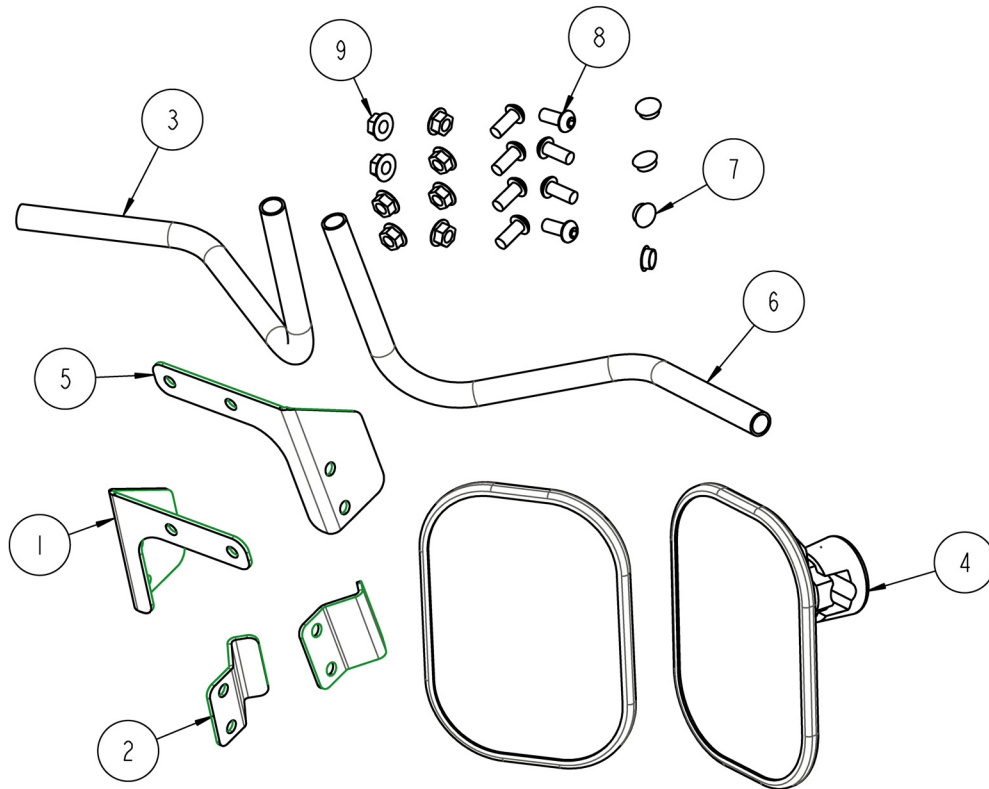


A-11765 EXTERIOR MIRRORS KIT

Before you begin, read these instructions and check to be sure all parts and tools are accounted for. Please retain these instructions for future reference and parts ordering information.

Kit Components:

ITEM	QTY	PART NO.	DESCRIPTION
1	1	1-46969	MIRROR, MOUNT LH
2	2	1-46971	MIRROR, CLAMP BRACKET
3	1	1-44148	MIRROR, ARM LH
4	2	3-18289	MIRROR, BRITAX 011104
5	1	1-46970	MIRROR, MOUNT RH
6	1	1-43966	MIRROR, ARM RH
7	4	3-10378	TUBE PLUG, 1/2"
8	8	3-18503	5/16" X 3/4" LONG BOLT
9	8	3-17111	5/16" FLANGE NUT
10	1	05-11056	MOUNTING INSTRUCTIONS



Installation Tools: Standard socket set and Standard Allen wrench set.

IMPORTANT: Perform all steps correctly and completely.

MOUNTING INSTRUCTIONS

Exterior Mirrors Installation (Refer to Figures 1 and 2):

1. Place LH mount bracket onto front cab tab surface.
2. Secure LH mount bracket to front cab tab using (2) 5/16" x 3/4" bolts and (2) 5/16" flange nut.
3. Secure clamp bracket to LH mount bracket using (2) 5/16" x 3/4" bolts and (2) 5/16" flange nut.
4. Insert LH mirror tube into LH mount bracket and clamp bracket and tighten hardware.
5. Mount (1) mirror head onto LH mirror arm and tighten.
6. Repeat steps 1-5 for Right Hand side using RH components.
7. Insert 1/2" hole plugs into the ends of each mirror arm.
8. Adjust mirrors and check for door clearance.

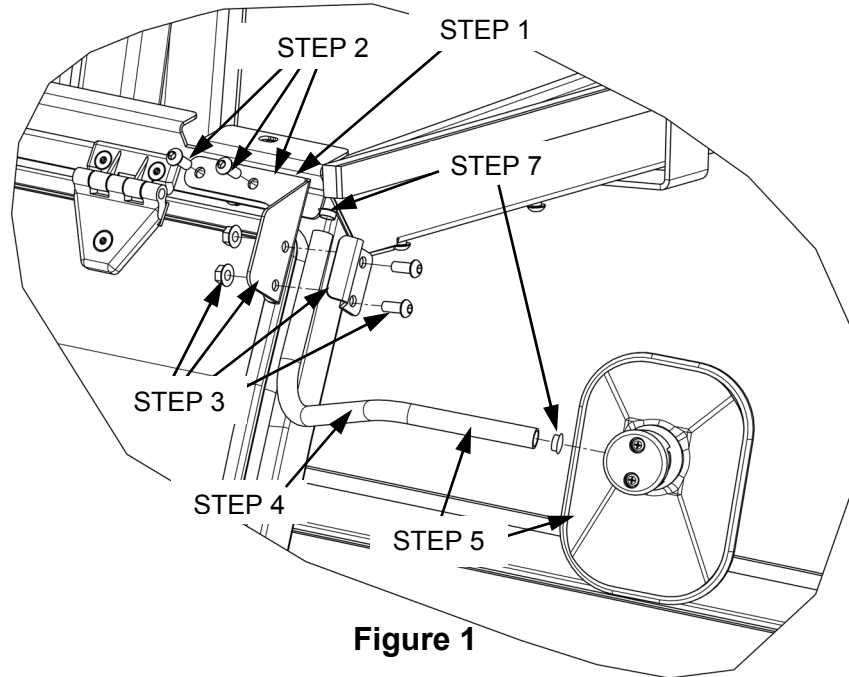


Figure 1

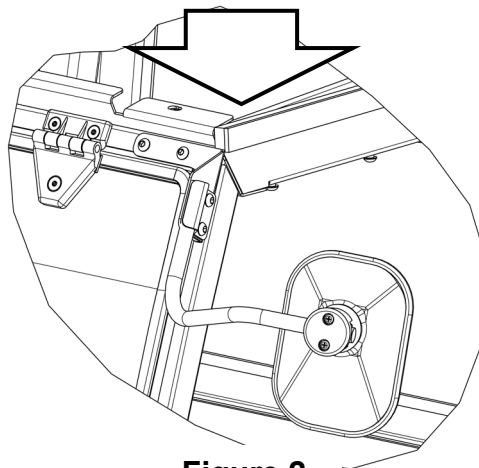


Figure 2

Manufactured by:

CUSTOM PRODUCTS
OF LITCHFIELD, INC.

BOX 70 • LITCHFIELD, MINNESOTA 55355-0070

(320) 693-3221 Fax: (320) 693-7252

www.800cabline.com

05-11056_JDX_MIRRORS.doc
November 19, 2012