



**INSTALLATION INSTRUCTIONS FOR
A-11636 LS-2 AND
A-11692 LS-1
EZ CAB SOFT DOOR KITS
LH AND RH DOORS**

OPTIONAL ACCESSORIES SOLD SEPARATELY

- A-11638 CAB HEADLINER CONSOLE
- A-11639 WIPER KIT, 12VDC
- A-11640 WIPER KIT, MANUALLY OPERATED
- A-11641 LIGHTS KIT, FRONT MOUNTED, RH AND LH -12VDC
- A-11642 HEADLINER FAN KIT, 2 FANS
- A-11643 EXTERIOR MIRROR KIT, RH AND LH
- A-11644 HEATER KIT, 12VDC, 15,000 BTU
- A-11645 SLIDER WINDOWS FOR HARD DOORS KIT A-11637
- A-11646 WARNING AMBER STROBE LIGHT, 12VDC
- A-11647 JENSEN HD RADIO AND SPEAKERS KIT

Manufactured by:



BOX 70 • LITCHFIELD, MINNESOTA 55355-0070

(320) 693-3221 Fax: (320) 693-7252

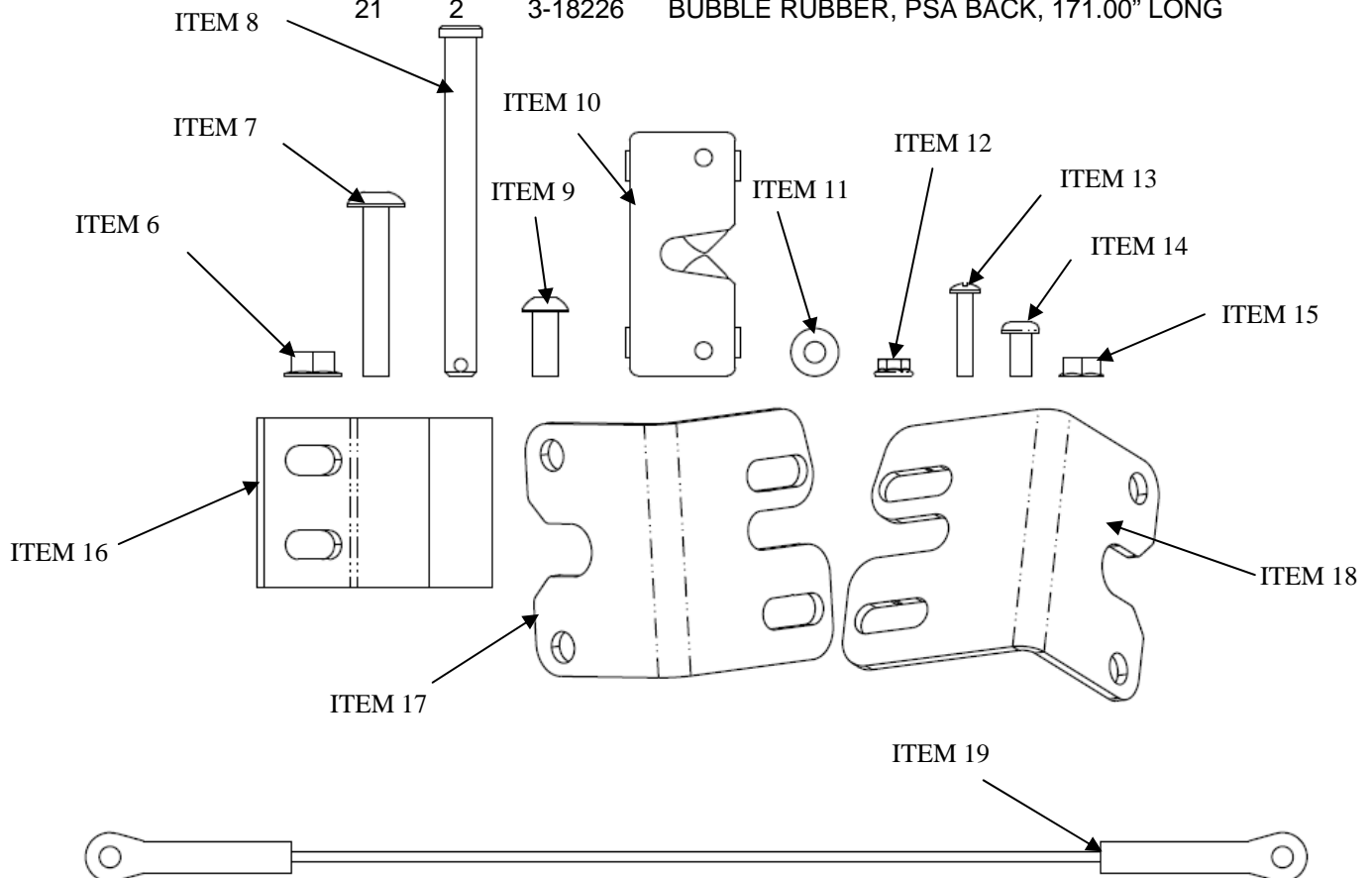
www.800cabline.com

05-10963
8/16/2011

Before you begin, read these instructions and check to be sure all parts and tools are accounted for. Please retain these instructions for future reference and parts ordering information.

Kit Components:

ITEM	QTY	PART NO.	DESCRIPTION
1	1	4-15328	DOOR ASSEMBLY, LH (Bobcat/Kioti)
2	1	4-15329	DOOR ASSEMBLY, RH (Bobcat/Kioti)
3	1	4-15449	DOOR ASSEMBLY, LH (McCormick)
4	1	4-15450	DOOR ASSEMBLY, RH (McCormick)
5	1	4-15326	HARDWARE KIT CONSISTS OF;
6	4	3-17111	5/16-18NC FLANGE NUT
7	4	3-18796	5/16-18NC x 2.00" LONG, BUTTON HEAD BOLT
8	4	3-19137	PIN, HINGE, 3/8" X 4.00" LONG
9	8	3-18503	5/16-18NC x 3/4 " LONG, BUTTON HEAD BOLT
10	2	3-19656	STRIKE LATCH
11	4	3-10083	#10 FLAT WASHER
12	4	3-19062	HEX NUT, M5 X .8
13	4	3-19063	M5 X .25 MACHINE SCREW PHILLIPS
14	4	3-15386	1/4-20NC x 1/2" LONG BUTTON HEAD BOLT
15	4	3-14924	1/4-20NC FLANGE NUT
16	4	1-46435	SOFT DOOR HINGE
17	1	1-46455	LATCH MOUNT, LH
18	1	1-46456	LATCH MOUNT, RH
19	2	3-17810	LANYARD 13-7/8" LONG
20	1	05-10963	MOUNTING INSTRUCTIONS
21	2	3-18226	BUBBLE RUBBER, PSA BACK, 171.00" LONG



PARTS IDENTIFICATION

ITEMS 20 AND 21 NOT SHOWN

05-10963
8/16/2011

Important: Perform all steps correctly and in sequence.

Note: Cab frame must be installed prior to installing soft doors.

Doors installation (Refer to Figures below):

NOTE: Canvas not shown in illustrations for clarity

1. Bolt (2) hinges onto outside of each door frame. Secure using (8) 5/16" x 3/4" long button head bolts (See Figure 1 and 4).
2. Install RH latch mount 1-46456 onto RH front cab frame tube. Secure using (2) 5/16" x 2.00" long button head bolts and (2) 5/16" flange nuts (See Figure 2).
3. Install LH latch mount 1-46455 onto LH front cab frame tube. Secure using (2) 5/16" x 2.00" long button head bolts and (2) 5/16" flange nuts (See Figure 2).
4. Install strike latches to latch mount plates, on each side. Secure using (2) M5 X .25 phillips machine screw, (2) M5 X .8 hex nut and (2) No 10 flat washers (See Figure 2).
5. Before applying PSA backed bubble rubber seals, make sure surfaces are cleaned with isopropyl alcohol. Apply PSA backed bubble rubber around entire outside parameter of the inside of each door (See Figure 3).
6. Install RH door. Place door hinges between hinges on frame. Align holes and insert 3/8" x 4.00" long pins from the top side. Repeat for LH door (See Figure 4).
7. Install lanyards (2) to formed "C" attached to rear window frame. Secure using 1/4" x 1/2" long button head bolts and 1/4" flanged nuts (See Figure 5).
8. Attach other end of lanyard to hole in door channel. Secure using 1/4" x 1/2" long button head bolts and 1/4" flanged nuts (See Figure 3).
9. Open and close door. Adjust latch mount and door hinges for proper latching and seal.

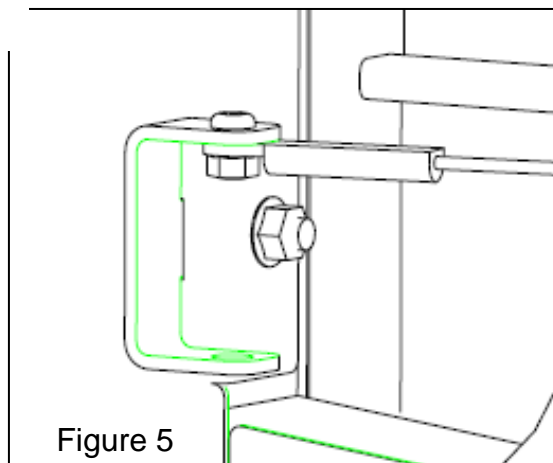
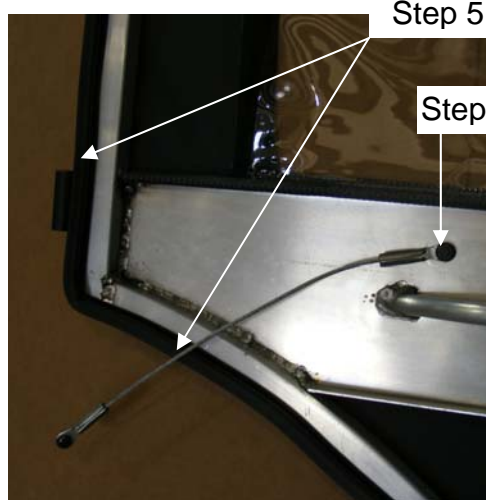
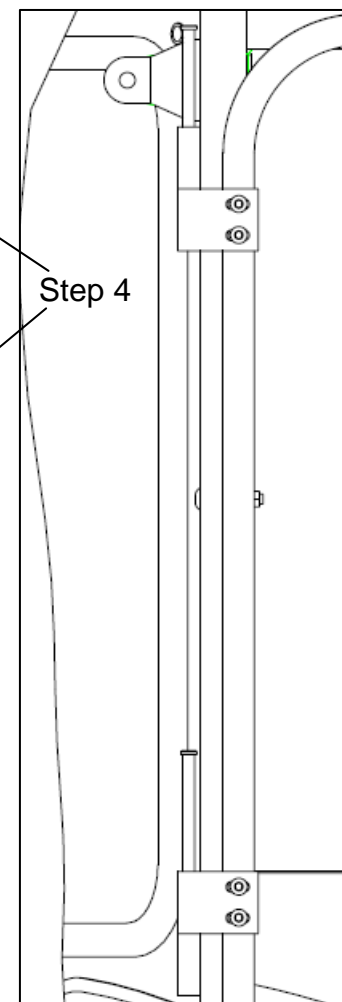
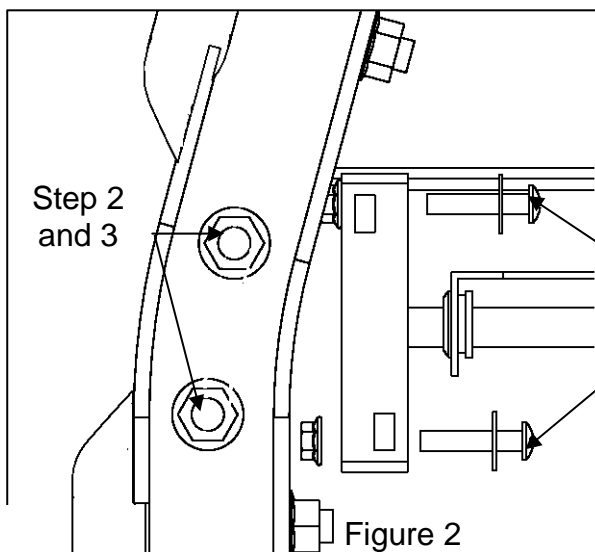
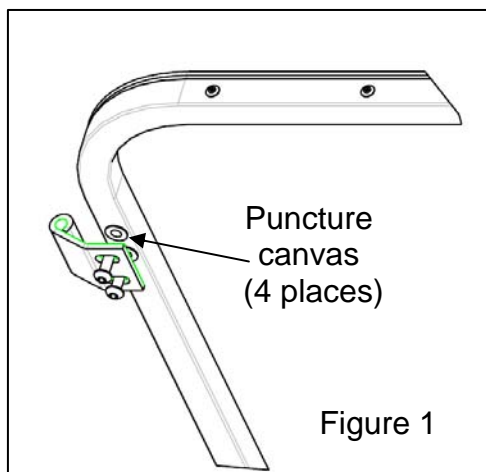


Figure 4

05-10963
8/16/2011