



**A-11691**  
**HARD DOORS KIT**  
**For LS-1 Cab Frames -**  
(LH AND RH, NON-SLIDER WINDOWS)

**OPTIONAL ACCESSORIES SOLD SEPARATELY**

- A-11638 CAB HEADLINER CONSOLE
- A-11639 WIPER KIT, 12VDC
- A-11640 WIPER KIT, MANUALLY OPERATED
- A-11641 LIGHTS KIT, FRONT MOUNTED, RH AND LH -12VDC
- A-11642 HEADLINER VENTILATION FAN KIT, 2 FANS
- A-11643 EXTERIOR MIRROR KIT, RH AND LH
- A-11644 HEATER KIT, 12VDC, 15,000 BTU
- A-11645 SLIDER WINDOWS FOR DOORS KIT A-11637 OR A-11691
- A-11646 WARNING AMBER STROBE LIGHT, 12VDC
- A-11647 JENSEN HD RADIO AND SPEAKERS KIT
- A-11648 STANDARD 7" FAN KIT, 12VDC

Manufactured by:



BOX 70 • LITCHFIELD, MINNESOTA 55355-0070

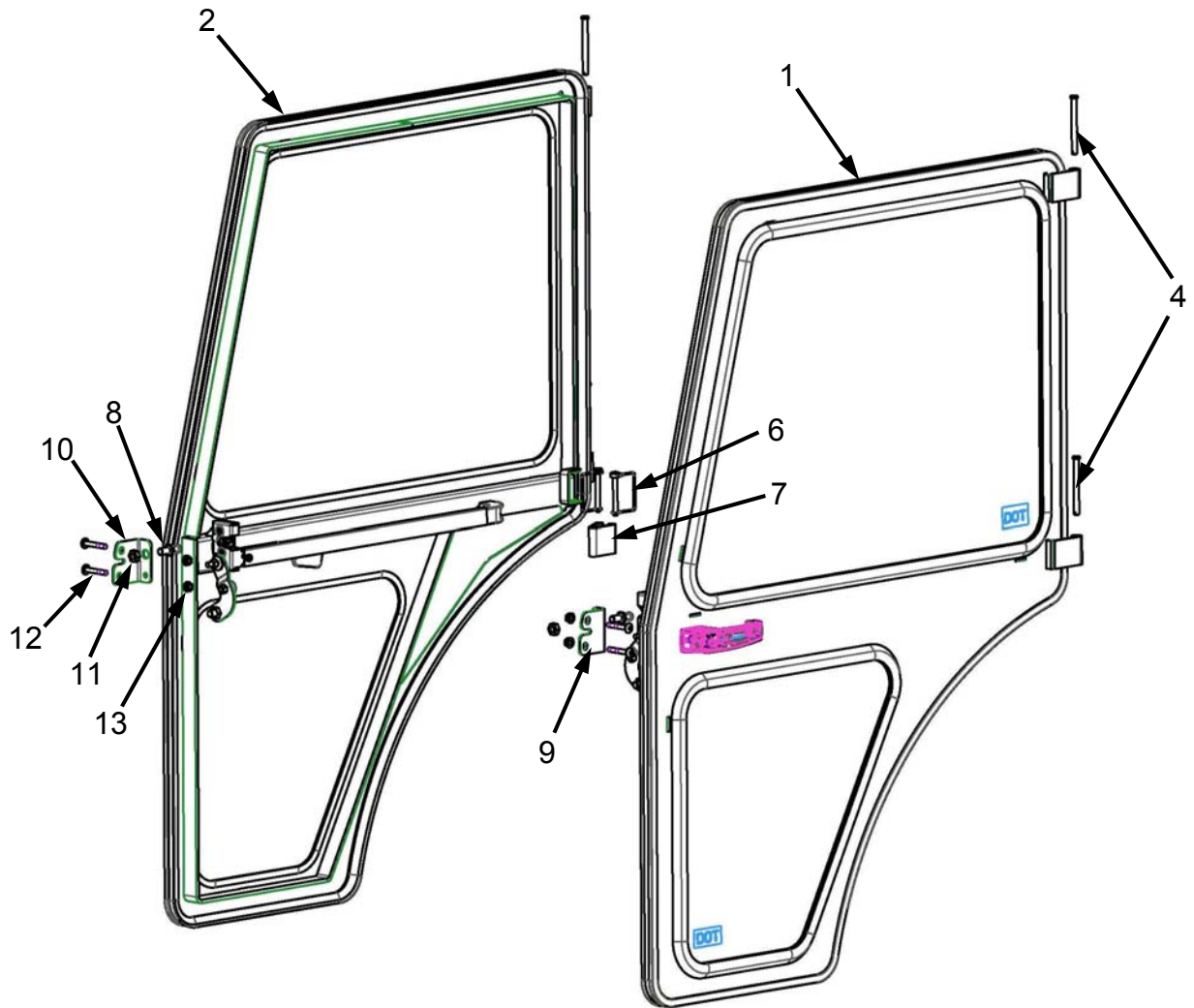
(320) 693-3221 Fax: (320) 693-7252

[www.800cabline.com](http://www.800cabline.com)

## HARD DOOR MOUNTING INSTRUCTIONS

Before you begin, read these instructions and check to be sure all parts and tools are accounted for. Please retain these instructions for future reference and parts ordering information.

Kit Components:	ITEM	QTY	PART NO.	DESCRIPTION
	1	1	4-15382	HARD DOOR, LH, WITH SLIDER
	2	1	4-15383	HARD DOOR, RH, WITH SLIDER
	3	1	4-15384	HARDWARE KIT CONSISTS OF;
	4	4	3-19137	PIN, HINGE, 3/8" X 4.00" LONG
	5	1	05-10947	MOUNTING INSTRUCTIONS FOR A-11691
	6	4	3-17650	PIN, LOCK CLIP, 5/16" X 2.00" LONG
	7	2	1-32438	DOOR STRAP
	8	2	3-18069	STRIKER STUD, 10MM
	9	1	1-47522	STRIKER MOUNT, LH
	10	1	1-47523	STRIKER MOUNT, RH
	11	4	3-18070	JAM NUT, 12MM
	12	4	3-18796	5/16-18NC x 2.00" LONG, BUTTON HEAD BOLT
	13	4	3-17111	5/16-18NC FLANGE NUT



### PARTS I.D. AND GENERAL LAYOUT

05-10947\_HARD\_DOORS.doc  
Rev "C" October 11, 2011

## HARD DOOR MOUNTING INSTRUCTIONS

**Important: Perform all steps correctly and in sequence. Note: Cab frame must be installed prior to installing hard doors. If electrical wiring and duct is to be routed down either front frame tube, do so prior to installing doors.**

### **Doors installation (Refer to Figure 1):**

1. Set RH door hinge on top of cab frame door hinge. Insert (2) 5/16" x 4.00" long pins (4) from the top side. Allow door to hang. Repeat instructions for LH side.
2. Install RH striker mount (10) onto RH front cab frame tube. Secure using (2) 5/16" x 2.00" long button head bolts and (2) 5/16" flange nuts. Avoid electrical duct if present inside of tube.
3. Install LH striker mount (9) onto LH front cab frame tube. Secure using (2) 5/16" x 2.00" long button head bolts and (2) 5/16" flange nuts. Avoid electrical duct if present inside of tube.
4. Install striker studs (8) and jam nuts (11) to striker mount plates.
5. Install door straps and lock pins onto each door.
6. Open and close door. Adjust striker and striker mount for proper latching.



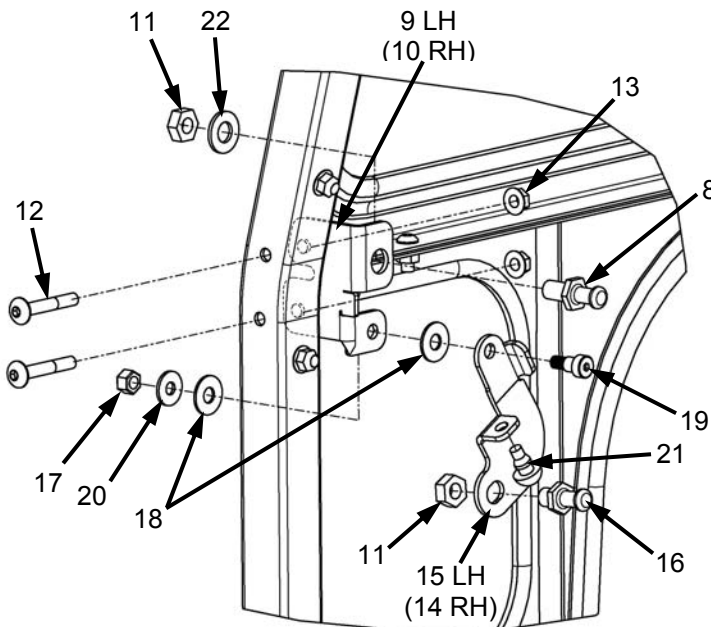
**Figure 1**

## HARD DOOR MOUNTING INSTRUCTIONS

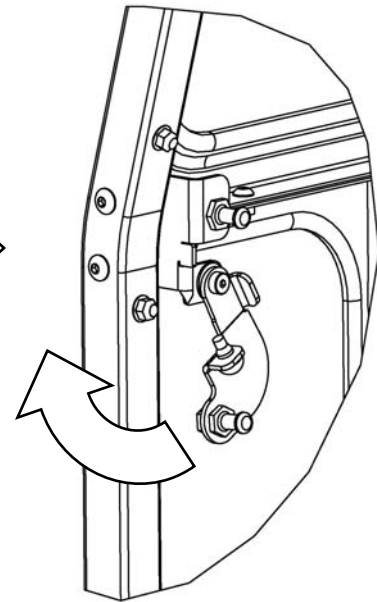
(Door hold-open components revised May 3, 2011)

7. For additional venting of cab, install door hold-open components items 14-22 to each side of the cab's striker mount plates, as shown in **Figures 2 through 5**.
8. Hold-open lever would be rotated horizontally to catch the door latch when closing. See **Figures 3, 4 and 5**. Rotate hold-open lever downward when not in use.
9. **Never transport down highway with doors in the hold-open position.**

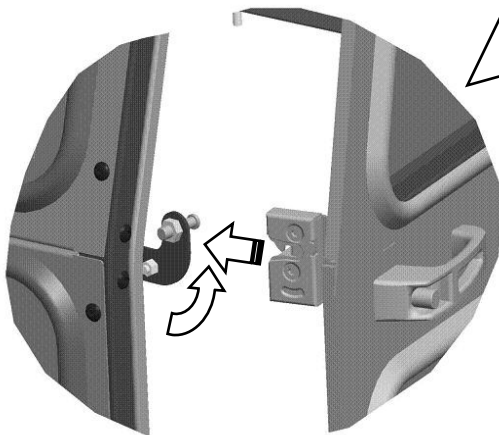
14	1	1-47313	HOLD-OPEN LEVER
15	1	1-47314	HOLD-OPEN LEVER
16	2	3-19563	STRIKER STUD, 10MM, SHORT
17	2	3-10072	NYLOCK NUT, 5/16"
18	4	3-16952	NYLON, WASHER, FLAT
19	2	3-19602	SHOULDER BOLT, 3/8" X 5/16" X 3/8"
20	2	3-10085	FLAT WASHER, 5/16"
21	2	3-18480	RUBBER BUMPER
22	2	3-12466	FLAT WASHER, 1/2" A-N



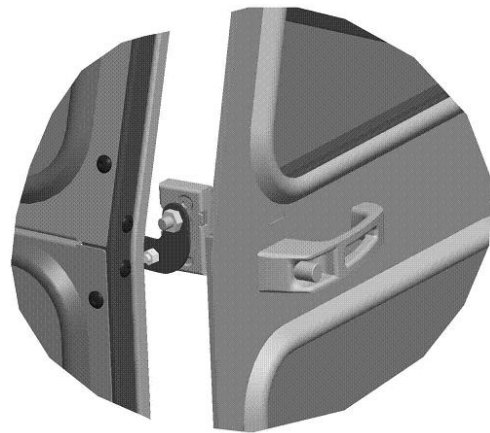
**FIGURE 2**



**FIGURE 3**



**FIGURE 4**



**FIGURE 5**