

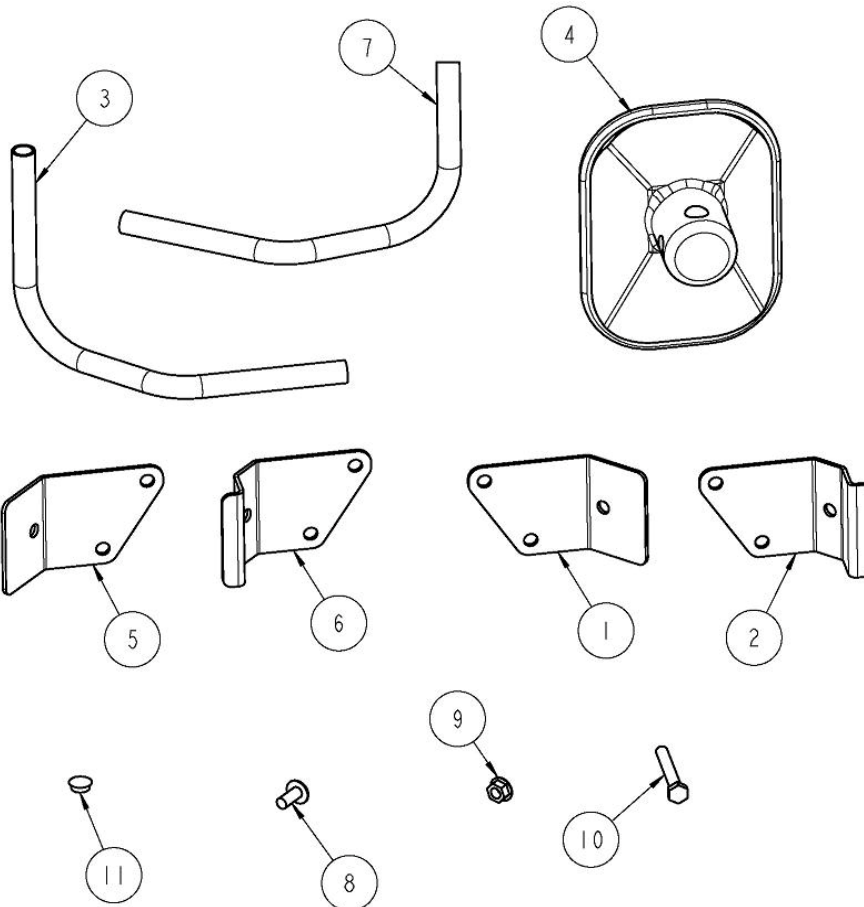


A-11643 EXTERIOR MIRRORS KIT

Before you begin, read these instructions and check to be sure all parts and tools are accounted for. Please retain these instructions for future reference and parts ordering information.

Kit Components:

ITEM	QTY	PART NO.	DESCRIPTION
1	1	1-46449	MIRROR MOUNT INNER LH
2	1	1-46450	MIRROR MOUNT OUTER LH
3	1	1-44148	MIRROR ARM RH
4	2	3-18289	MIRROR, BRITAX 011104
5	1	1-46451	MIRROR MOUNT INNER RH
6	1	1-46452	MIRROR MOUNT OUTER RH
7	1	1-43966	MIRROR ARM LH
8	4	3-18503	5/16" X 3/4" BUTTON HEAD BOLT
9	6	3-17111	FLANGE NUT, 5/16"
10	2	3-10013	5/16" X 2.25" LONG HEX HEAD BOLT
11	4	3-10378	TUBE PLUG, 1/2"
12	1	05-10845	MOUNTING INSTRUCTIONS A-11643
13	2	3-18797	5/16" X 2.50" LONG BUTTON HEAD BOLT



Installation Tools: Standard Socket Set, Phillip and Slot Screwdrivers
IMPORTANT: Perform all steps correctly and completely.

Exterior Mirrors Installation (Refer to Figures 1 and 2):

1. Remove 3/8" hole plug from front window panel assembly.
2. Remove (1) 5/16" x 2.00" button head bolt.
3. Place LH inner and LH outer mount brackets onto front window panel surface.
4. Install (1) 5/16" x 2.25" long hex head bolt and (1) 5/16" flange nut. Note: If front lights are to be installed, 2.50" long button head bolts may be needed instead of 2.25" long hex head bolts. See Figure 2.
5. Install (1) 5/16" x 3/4" button head bolt and (1) 5/16" flange nut.
6. Insert LH mirror tube into LH inner and outer mount brackets and secure using (1) 5/16" x 3/4" button head bolt and (1) 5/16" flange nut.
7. Mount (1) mirror head onto LH mirror arm and tighten.
8. Repeat steps 1-7 for Right Hand side using RH components.
9. Insert 1/2" hole plugs into the ends of the each mirror arm.

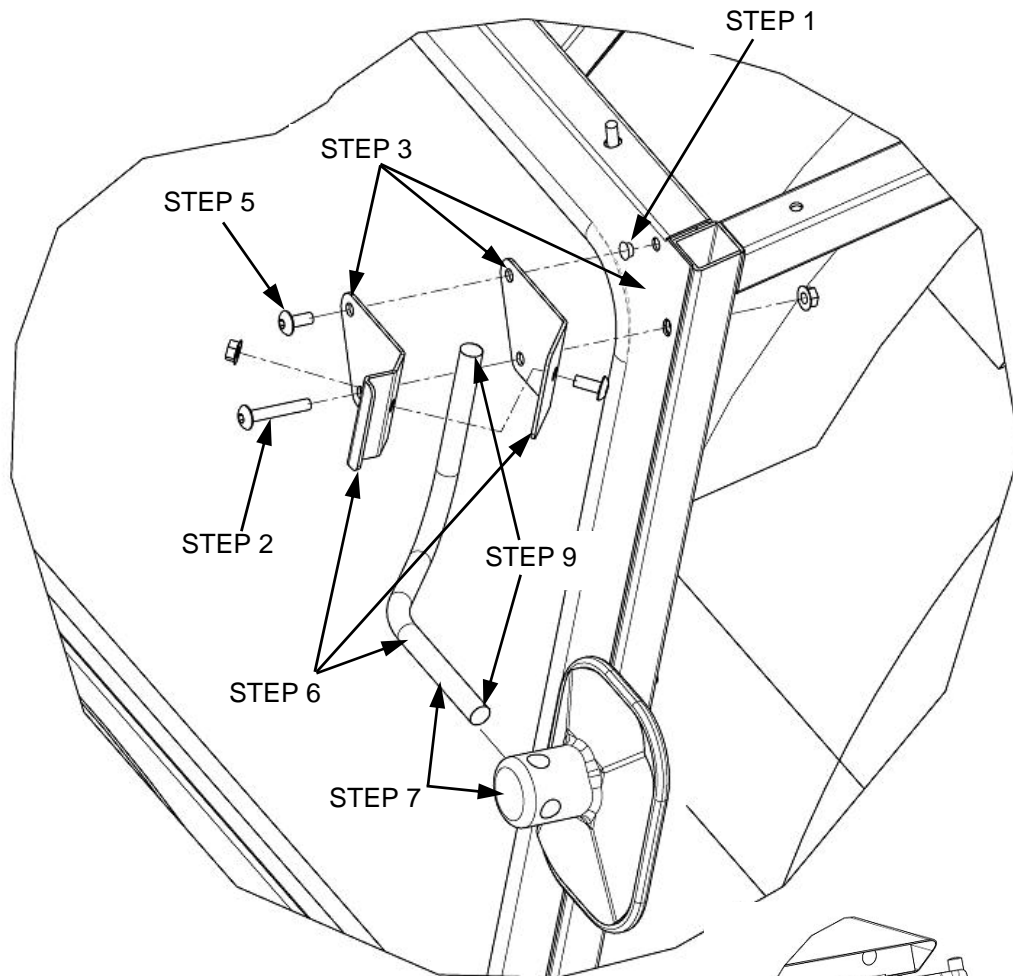


Figure 1

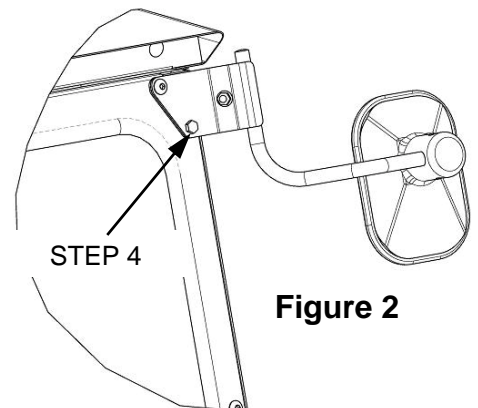


Figure 2

Manufactured by:



BOX 70 • LITCHFIELD, MINNESOTA 55355-0070
(320) 693-3221 Fax: (320) 693-7252
www.800cabline.com