

COZYcab™



A-11637 HARD DOORS KIT

LH AND RH, NON-SLIDER WINDOWS
For BOBCAT or KIOTI CAB FRAMES

OPTIONAL ACCESSORIES SOLD SEPARATELY

- A-11638 CAB HEADLINER CONSOLE
- A-11639 WIPER KIT, 12VDC
- A-11640 WIPER KIT, MANUALLY OPERATED
- A-11641 LIGHTS KIT, FRONT MOUNTED, RH AND LH -12VDC
- A-11642 HEADLINER VENTILATION FAN KIT, 2 FANS
- A-11643 EXTERIOR MIRROR KIT, RH AND LH
- A-11644 HEATER KIT, 12VDC, 15,000 BTU
- A-11645 SLIDER WINDOWS FOR DOORS KIT A-11637
- A-11646 WARNING AMBER STROBE LIGHT, 12VDC
- A-11647 JENSEN HD RADIO AND SPEAKERS KIT

Manufactured by:



BOX 70 • LITCHFIELD, MINNESOTA 55355-0070

(320) 693-3221 Fax: (320) 693-7252

www.800cabline.com

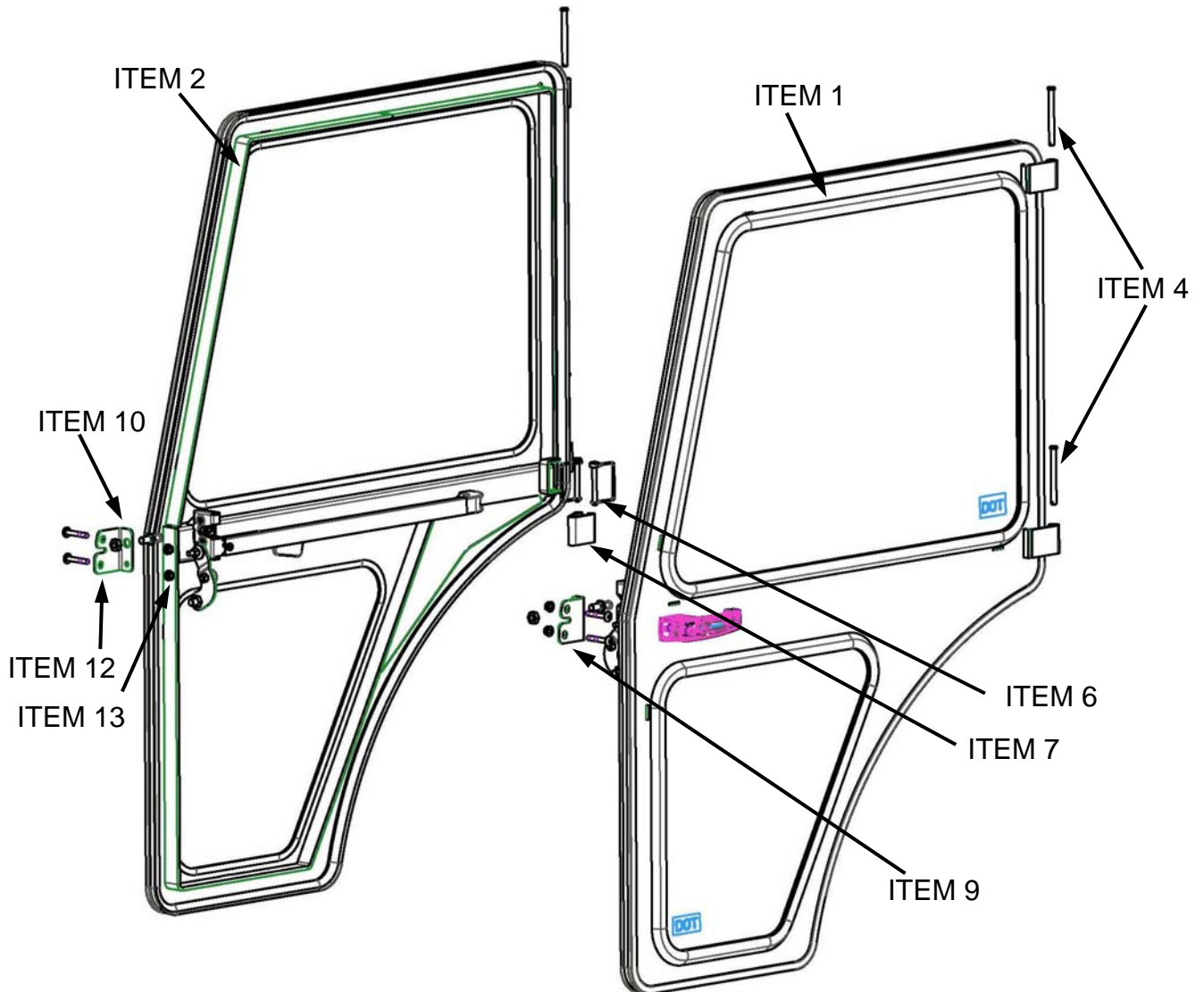
05-10800
October 29, 2010

HARD DOOR MOUNTING INSTRUCTIONS

Before you begin, read these instructions and check to be sure all parts and tools are accounted for. Please retain these instructions for future reference and parts ordering information.

Kit Components:

| ITEM | QTY | PART NO. | DESCRIPTION |
|------|-----|----------|--|
| 1 | 1 | 4-15332 | HARD DOOR, LH, NON-SLIDER |
| 2 | 1 | 4-15333 | HARD DOOR, RH, NON-SLIDER |
| 3 | 1 | 4-15370 | HARDWARE KIT CONSISTS OF; |
| 4 | 4 | 3-19137 | PIN, HINGE, 3/8" X 4.00" LONG |
| 5 | 1 | 05-10800 | MOUNTING INSTRUCTIONS FOR A-11637 |
| 6 | 4 | 3-17650 | PIN, LOCK CLIP, 5/16" X 2.00" LONG |
| 7 | 2 | 1-32438 | DOOR STRAP |
| 8 | 2 | 3-18069 | STRIKER STUD, 10MM |
| 9 | 1 | 1-46277 | STRIKER MOUNT, LH |
| 10 | 1 | 1-46278 | STRIKER MOUNT, RH |
| 11 | 2 | 3-18070 | JAM NUT, 10MM |
| 12 | 4 | 3-18796 | 5/16-18NC x 2.00" LONG, BUTTON HEAD BOLT |
| 13 | 4 | 3-17111 | 5/16-18NC FLANGE NUT |



PARTS I.D. AND GENERAL LAYOUT

05-10800
October 29, 2010

HARD DOOR MOUNTING INSTRUCTIONS

Important: Perform all steps correctly and in sequence. Cab frame A-11635 or A-11682 must be installed prior to installing hard doors. If electrical wiring and duct is to be routed down either front frame tube, do so prior to installing doors.

Doors installation (Refer to Figure 1):

1. Set RH door hinge on top of cab frame door hinge. Insert (2) 5/16" x 4.00" long pins from the top side. Allow door to hang. Repeat instructions for LH side.
2. Install RH striker mount 1-46278 onto RH front cab frame tube. Secure using (2) 5/16" x 2.00" long button head bolts and (2) 5/16" flange nuts. **Avoid electrical duct if present inside of tube.**
3. Install LH striker mount 1-46277 onto LH front cab frame tube. Secure using (2) 5/16" x 2.00" long button head bolts and (2) 5/16" flange nuts. **Avoid electrical duct if present inside of tube.**
4. Install striker studs and jam nuts to striker mount plates, on each side.
5. Install door straps and lock pins onto each door.
6. Open and close door. Adjust striker and striker mount for proper latching.



Figure 1

HARD DOOR MOUNTING INSTRUCTIONS

(Door hold-open components and steps 7-9 were added February 16, 2010)

7. For additional venting of cab, install door hold-open components items 14-20 to each side of the cab's striker mount plates, as shown in figures 2 through 5.
8. Hold-open lever would be rotated horizontally to catch the door latch when closing. See Figures 3, 4 and 5. Rotate hold-open lever downward when not in use.
9. Never transport down highway with doors in the hold-open position.

| | | | |
|----|---|---------|---|
| 14 | 1 | 1-46941 | HOLD-OPEN LEVER, LH |
| 15 | 1 | 1-46942 | HOLD-OPEN LEVER, RH |
| 16 | 2 | 3-14174 | 5/16 X 1" LONG BOLT, FLAT HEAD PHILLIPS |
| 17 | 4 | 3-10072 | NYLOCK NUT, 5/16" |
| 18 | 2 | 3-10112 | FIBER WASHER, 5/16" |
| 19 | 2 | 3-16942 | BUMPER, RUBBER, 5/16" STUD |
| 20 | 2 | 3-10085 | FLAT WASHER, 5/16" |

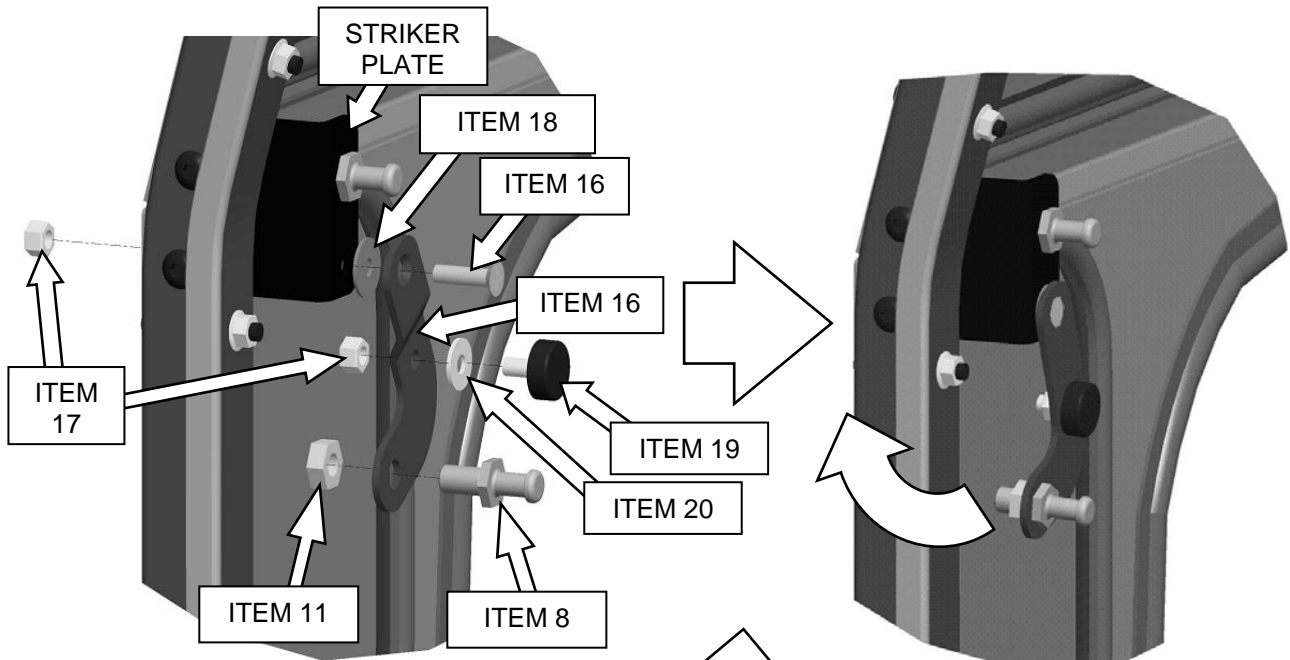


FIGURE 2

FIGURE 3

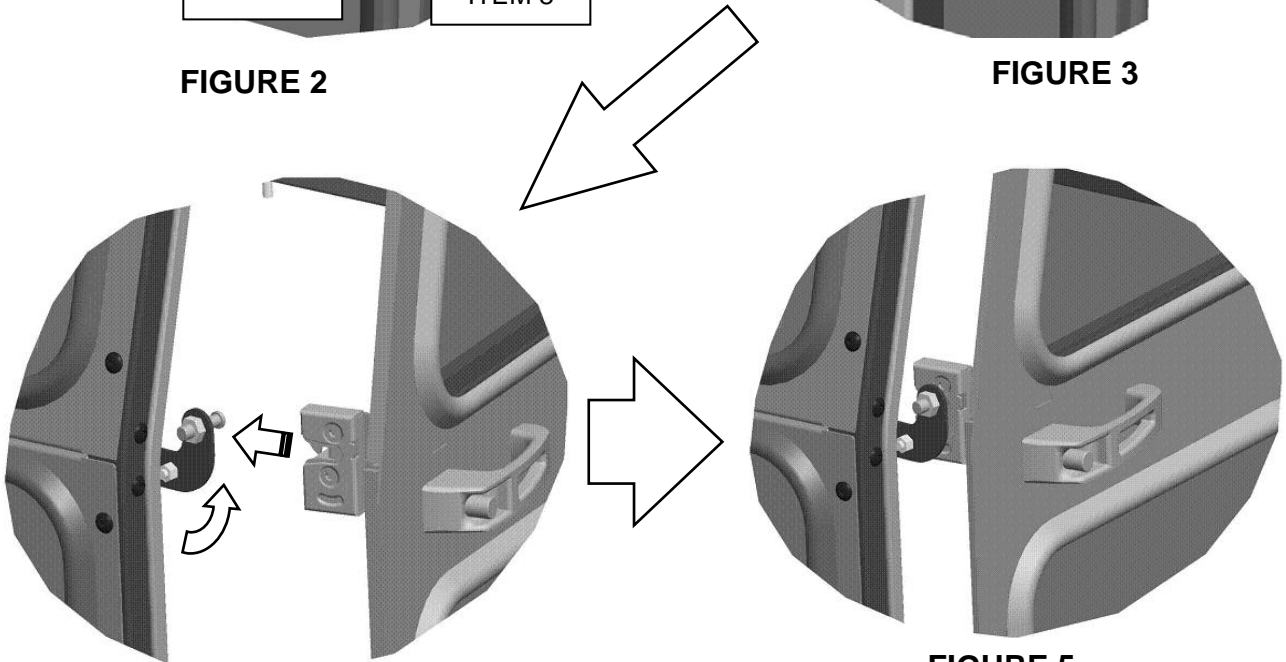


FIGURE 4

FIGURE 5