



SUNSHADE

Mounting Instructions

With Parts Listing And Drawing



Sunshade Kit

Part No.
A-11319

Manufactured by:



BOX 70 • LITCHFIELD, MINNESOTA 55355
Ph: (320) 693-3221 Fax: (320) 693-7252
1-800-222-5463 www.800cabline.com

Sunshade Kit A-11319

MOUNTING INSTRUCTIONS

Preparation of Machine

1. Park machine on level surface. Engage parking brake. Shut off engine.

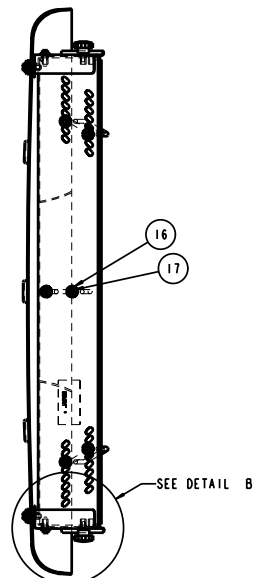
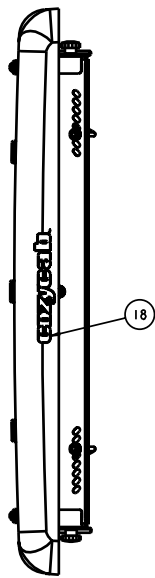
Assemble Sunshade

1. Install the side brackets to the sunshade. See detail A and B on the assembly print. The neck on the top rubber washers goes through the holes in the sunshade. The neck on the inner rubber washers goes through the holes in the side brackets. Do not tighten at this time.
2. Install the rear mount assembly to the side brackets. See detail B on the assembly print. The bolted connection should be tightened so that the rear mount assembly can still be pivoted. Install and tighten the knobs with rubber washers so the washer is slightly compressed into either of the slots in the side brackets. The sunshade will be adjusted so that it is level with the ground after it is installed onto the rollbar.
3. When the rear mount has been installed, tighten the side bracket mounting hardware. They should be tightened so the rubber washers are slightly compressed. **Do not overtighten.**

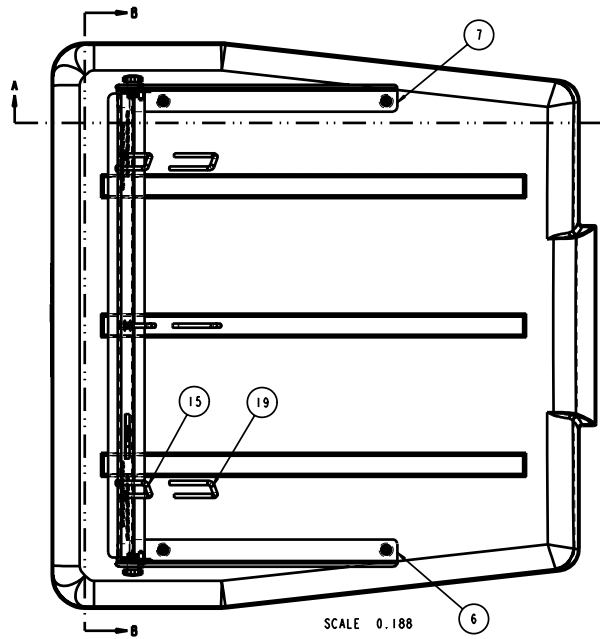
Install Sunshade

1. Place the sunshade onto the rollbar and attach with the center U-bolt. U-bolts are provided for either a 2 x 2 or 2 x 3 tube. Leave the nuts loose enough to adjust the sunshade so it is centered on the rollbar.
2. With the sunshade centered on the rollbar install the other (2) U-bolts using whatever set of holes line up with the radius of the rollbar.
3. Tighten all hardware.
4. Remove the knobs from the slots on the side brackets and adjust the sunshade so that it is level with the ground. Install the knobs in the correct notch in either of the slots on the side brackets to maintain the sunshade in a level position.



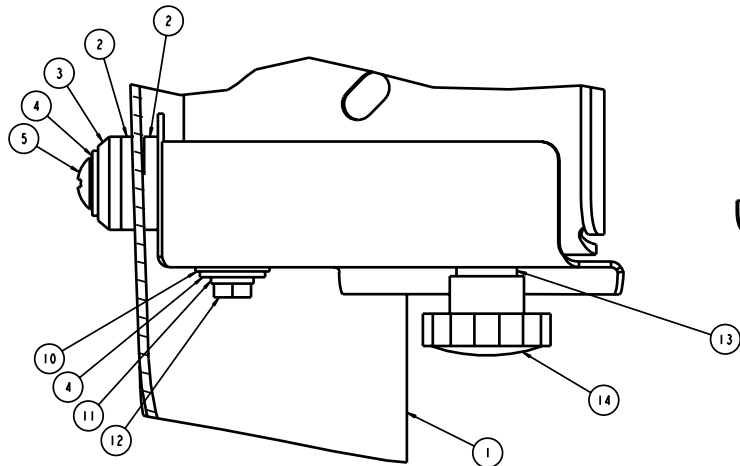


SECTION B-B

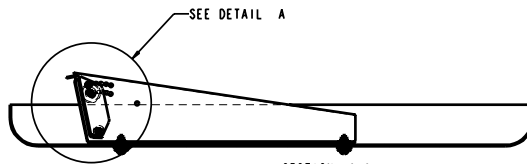


SCALE 0.188

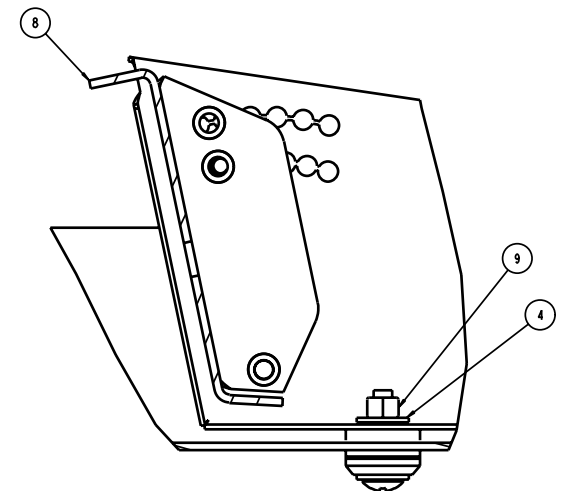
ITEM #	DESCRIPTION	QTY
1	3-18158 PLASTIC ROOF, GRAY	1
2	3-16217 WASHER, RUBBER	8
3	3-15768 WASHER, NYLON	4
4	3-10085 WASHER, .31 FLAT	10
5	3-16671 SCREW .31 X 1.50	4
6	6-43543 BRACKET, LEFT	1
7	6-43542 BRACKET, RIGHT	1
8	8-14818 REAR MOUNT ASSEMBLY	1
9	3-10072 NUT, .31 NYLOCK	4
10	3-10112 WASHER, FIBER, .31	2
11	3-10077 WASHER, LOCK, .31	2
12	3-10009 BOLT .31 X 1.25	2
13	3-17226 WASHER, RUBBER	2
14	3-16562 KNOB, PLASTIC	2
15	3-18000 U-BOLT, SO 2 X 2 TUBE	3
16	3-10086 WASHER, .37 FLAT	6
17	3-10073 NUT, .37 NYLOCK	6
18	3-17564 COZY DECAL	1
19	3-18094 U-BOLT, SO 2 X 3 TUBE	3



DETAIL B
SCALE 1.250



SECTION A-A



DETAIL A
SCALE 1.000