



**MOUNTING INSTRUCTIONS**  
With replacement parts drawing

# **WIPER KIT OPTION**

**(GATOR SUNSHADE)**

# **Part No.**

# **4-14430**

MANUFACTURED BY:



BOX 70 • LITCHFIELD, MINNESOTA 55355-0070

(320) 693-3221 Fax: (320)693-7252

[www.800cabline.com](http://www.800cabline.com)

05-10354  
August 2002

## **MOUNTING INSTRUCTIONS for WIPER KIT OPTION (1-SPEED)**

1. Engage parking brake. Disconnect negative battery terminal.
2. Attach a slide connector to the wire provided and push onto the wiper motor electrical stud "B". Refer to last sheet.
3. Mount the wiper motor in the predrilled holes on the driver's side lower windshield panel. Refer to last page for installation information.

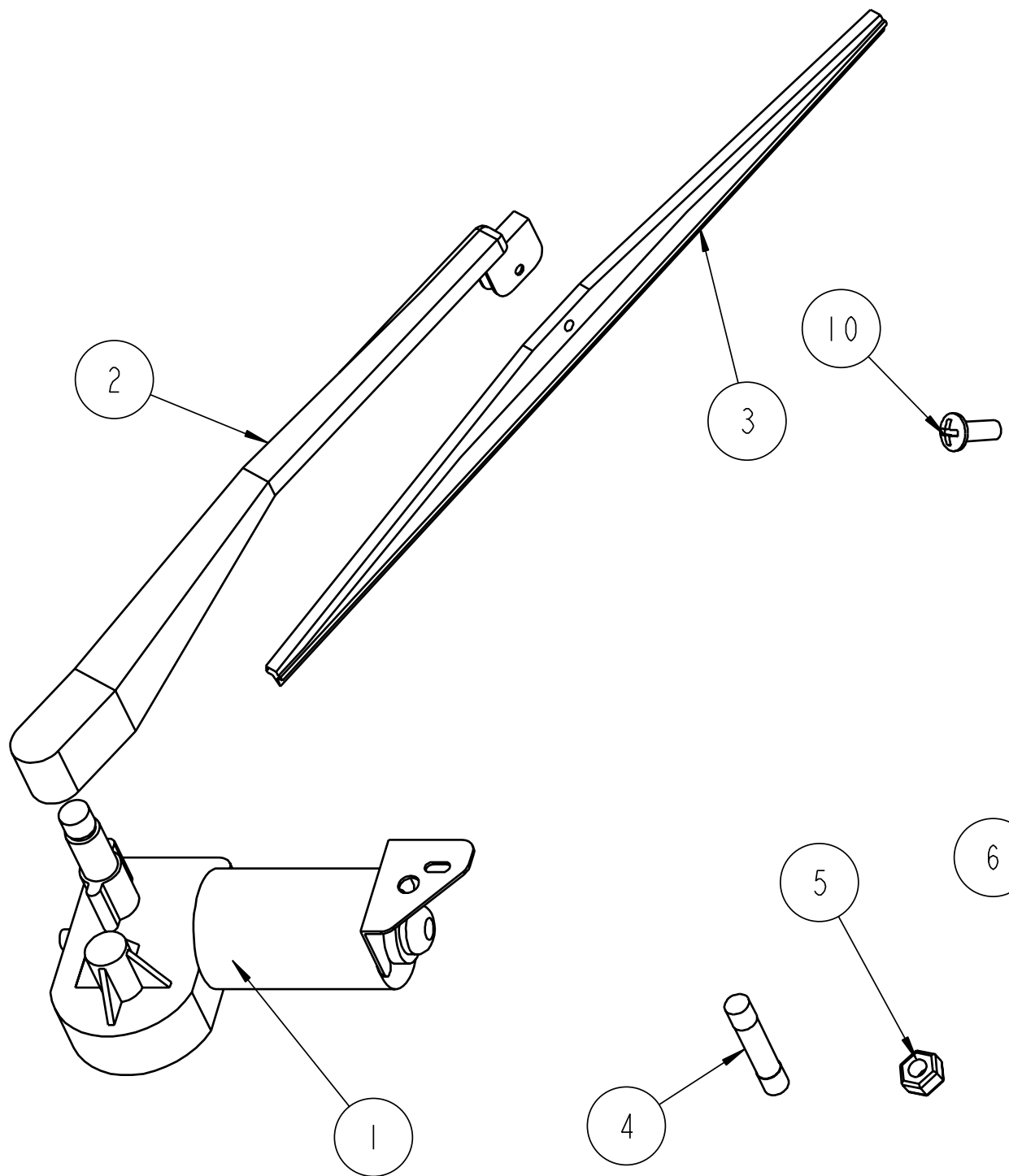


4. Attach the in-line fuse holder (3-11261) to wire using provided butt splice connector. Make the in-line connection under the dash.
5. Route the wiper wire and fuse holder from the motor down to the ignition switch. Attach in-line fuse holder pigtail provided from wiper to the hot wire from ignition switch (when ignition is on) using blue 3-way splice terminal (3-10982).

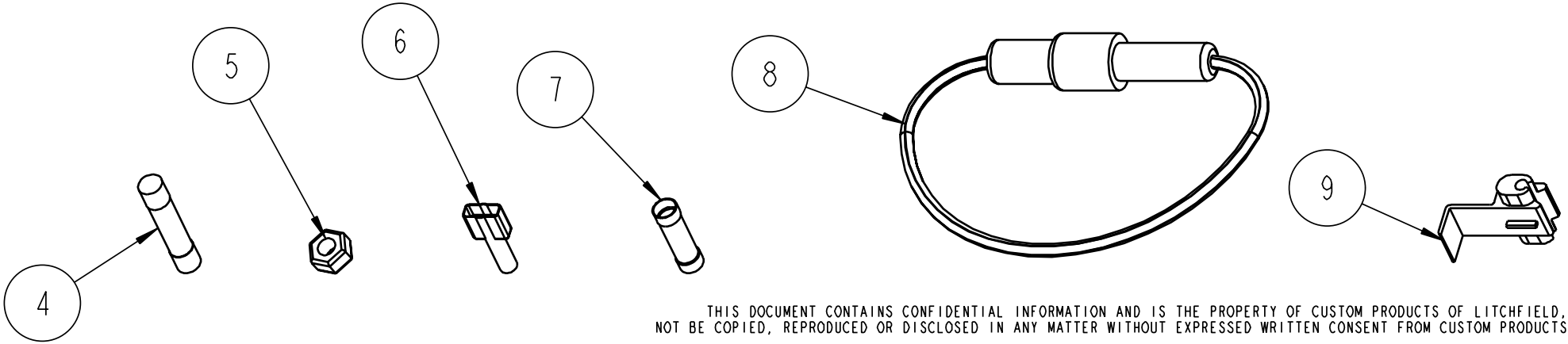
6. Once wire is installed, place supplied flexible conduit over wire. Cut excess conduit off of wire when finished routing.
7. Connect the wiper blade to the wiper arm.
8. Switch on the motor and turn it off when the shaft is at the end of its clockwise rotation. Push the wiper arm onto the wiper shaft. The arm should be to the side of the windshield.
9. Turn on the wiper and check to see if the blade hits the window rubber. If it does remove the arm from the shaft and re-install it in the correct position.
10. Re-connect negative terminal.

REV.	DCR NO.	DESCRIPTION	DRAFTSMAN	DATE
A	8943	3-18708 WAS 3-11109	SRB	10/13/06

ITEM #	DESCRIPTION	QTY
1	3-18708_Y_MOTOR_1_12VDC_W_SW	1
2	3-15079_ADJ ARM	1
3	3-10247_16 BLADE	1
4	3-10270 FUSE, 7.5 AMP	1
5	3-10308_1024_NYLOCK	1
6	3-10670 TERMINAL CONNECTOR	1
7	3-10672 SPLICE	1
8	3-11261_FUSE HOLDER	1
9	3-10982 TERMINAL SPLICE 3-WAY	1
10	3-17331_MSCR_NO10_X50PHPHIL	1
NOT SHOWN	11 3-10364 WIRE, RED 14 GA GPT	4 FT
NOT SHOWN	12 3-14456 BOX, 7" x 7" x 16"	1
NOT SHOWN	13 3-16265 BAG, 10" x 12" ZIPLOCK	1
NOT SHOWN	14 05-10354 INSTRUCTION MANUAL	1
NOT SHOWN	15 3-10704 WIRE DUCT (LOOM) 3/8"	4 FT



NOT SHOWN  
 NOT SHOWN  
 NOT SHOWN  
 NOT SHOWN  
 NOT SHOWN



SET MOTOR TO 65 DEG

THIS DOCUMENT CONTAINS CONFIDENTIAL INFORMATION AND IS THE PROPERTY OF CUSTOM PRODUCTS OF LITCHFIELD, INC. AND MAY NOT BE COPIED, REPRODUCED OR DISCLOSED IN ANY MANNER WITHOUT EXPRESSED WRITTEN CONSENT FROM CUSTOM PRODUCTS OF LITCHFIELD, INC.

<b>TOLERANCES UNLESS NOTED OTHERWISE</b>  X ± .09 .XX ± .06 .XXX ± .03 HOLE SIZE +.015/-0.010 ANGLE ± .5°	<b>CUSTOMER NAME &amp; MOD NO.:</b> JD GATOR		<b>MATL SPEC.:</b>	
	<b>CUSTOM PRODUCTS</b> 1715 SOUTH SIBLEY AVE. LITCHFIELD, MN 55355			
<b>TITLE:</b> FRONT WINDOW WIPER KIT		<b>DRWG SIZE:</b> B	<b>DRWG NO.:</b> 4-14430	<b>REV LEVEL:</b> A
<b>DRAWN:</b> CAD		<b>DATE:</b> 8-14-02		