

CAB MOUNTING INSTRUCTIONS
John Deere X Signature Series Model Year 14 and newer



Fits: X710, X730, X734, X738, X739, X750, X754, X758 SERIES MODELS



A-12098

ROPS CAB KIT

(Shown with GLASS DOORS Kit A-12099)

Optional kits;

- A-12090 FRONT WORK LIGHT, (2) LED 12 VDC**
- A-12091 REAR WORK LIGHT, (1) LED 12VDC**
- A-12092 HEATER FITTINGS KIT FOR DIESEL ENGINES**
- A-12093 HEATER KIT, 12 VDC WITH FITTINGS FOR GAS ENGINES**
- A-12095 REAR SLIDER WINDOW KIT, LOWER**
- A-12096 REAR WIPER KIT, 12 VDC**
- A-12097 EXTERIOR MIRRORS KIT**
- A-12099 GLASS DOORS KIT**
- A-11998 INTERIOR MIRROR KIT**
- A-12131 DOOR HOLD-OPEN VENTING KIT**
- A-12004 RECIRCULATION FAN KIT, 12 VDC**
- A-11822 HEATER HOSE QUICK DISCONNECT KIT**

CAB MOUNTING INSTRUCTIONS
John Deere X Signature Series Model Year 14 and newer

 **SAFETY INSTRUCTIONS**

Read operator's manual. Be thoroughly familiar with the controls, capabilities, and proper use of the equipment.

NEVER ALLOW ANY RIDERS.

Thoroughly inspect cab mounting periodically.

Stay alert for hidden hazards and traffic.

Avoid sudden starts, excessive speeds, and sudden stops when operating on hillside, rough ground and most off-the-road operations.

Use extreme care when working close to fences, ditches, or on hillsides.

Wait for tractor to STOP before dismounting.

Check clearance carefully before driving under any objects.

Avoid operating sideways on a steep slope whenever possible.

ALWAYS buckle safety belt while operating tractor.

Never exceed factory recommended specifications.

DO NOT weld, cut, drill or modify ROPS cab, in any manner unless instructed by manufacturer.

CAB MOUNTING INSTRUCTIONS
John Deere X Signature Series Model Year 14 and newer

**INSTALLATION INSTRUCTIONS FOR
ROLLOVER PROTECTION SYSTEM (ROPS)**

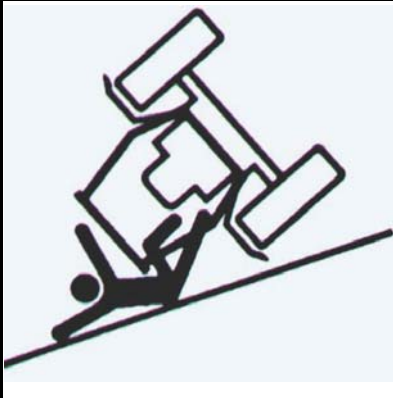
This manual contains assembly, operating, maintenance and safety instructions for your ROPS. Before installing the ROPS or operating a machine equipped with a ROPS, carefully read these instructions completely. The ROPS will reduce the risk of serious or fatal injury in the unlikely event of a tip over although the system cannot protect the operator from all possible injuries. By following the operating, maintenance, and safety instructions, you will prolong the life of the machine and the ROPS, maintain its maximum efficiency and promote safe operation.

If additional information is needed, contact your authorized equipment dealer or distributor. **Keep this manual with the machine operator's manual for future reference.**

IMPORTANT:

1. Do not cut, drill, modify or repair ROPS in any manner.
2. Always replace a damaged ROPS.
3. Always use the seatbelt and ROPS together.
4. Frequently inspect roll bar and seat belts for damage or loose hardware.
5. Use extreme care when working close to fences, ditches, trees and on hills.
6. Check overhead clearances carefully before driving under any objects.
7. Do not leave operator's position while unit is running.
8. Do not carry riders.
9. If ROPS is a folding ROPS, ROPS should be in the upright position and pinned when operating the machine.

WARNING! This ROPS is certified for use on machines with a maximum gross vehicle weight (GVW) of **2595 LBS.** The GVW INCLUDES the weight of the base machine, operator, fuel, ROPS, and other attachments and payloads. When attachments are added, causing the GVW of the machine to be more than **2595 LBS.**, the ROPS may not provide adequate protection resulting in serious injury or death. Use caution when installing attachments and **DO NOT EXCEED** the GVW rating of the ROPS.



WARNING!
SERIOUS INJURY OR DEATH MAY RESULT FROM MACHINE ROLLOVER

- DO NOT OPERATE MACHINE ON STEEP SLOPES OR NEAR DROP OFFS
- ALWAYS USE SEAT BELTS
- AVOID SHARP AND/OR QUICK TURNS
- DO NOT EXCEED THE MACHINE WEIGHT RATING OF THE ROPS



WARNING

ROLLOVER MAY CAUSE PERMANENT INJURY OR DEATH.

- ROPS RAISES THE CENTER OF GRAVITY AND REDUCES STABILITY ON SLOPES.
- SUDDEN STARTS OR TURNS ON RAMPS OR SLOPES CAN CAUSE OVERTURN.
- USE GREATER CARE ON RAMPS AND AS SLOPES INCREASE.

CAB MOUNTING INSTRUCTIONS

John Deere X Signature Series Model Year 14 and newer

Read these instructions and identify all components. Please retain these instructions for future reference and parts ordering information. Refer to kit components and figure 1 for general layout.

Kit Components:	ITEM	QTY	PART No.	DESCRIPTION
	1	1	4-16057	CAB ASSEMBLY, LESS DOORS
	2	1	4-16062	MOUNT KIT (ITEMS 3-16)
	3	4	1-49216	SPACER RING
	4	1	1-49510	MOUNT, LH FRONT
	5	1	1-49511	MOUNT, RH FRONT
	6	2	1-49513	MOUNT, REAR PLATE
	7	1	1-49581	COWL MOUNT, LH
	8	2	2-17124	INNER KEEPER WELDMENT
	9	1	2-17136	WELDMENT, REAR MOUNT
	10	4	3-16635	RUBBER MOUNT
	11	2	3-16636	WASHER, SNUBBING
	12	1	3-19729	WIRE EXTENSION 36" LONG
	13	1	4-16063	HARDWARE KIT (NOT SHOWN)
	14	1	4-16116	COWL MOUNT, LH
	15	1	4-16151	COWL POCKET, LH
	16	1	4-16152	COWL SEAL-OFF KIT (ITEMS 16A-16D)
	16A	1	3-14333	VELCRO LOOP, PSA BACK, 48" LONG
	16B	1	3-20507	SEAL COVER, RH
	16C	1	3-20508	SEAL COVER, LH
	16D	1	3-20509	SEAL COVER, MIDDLE

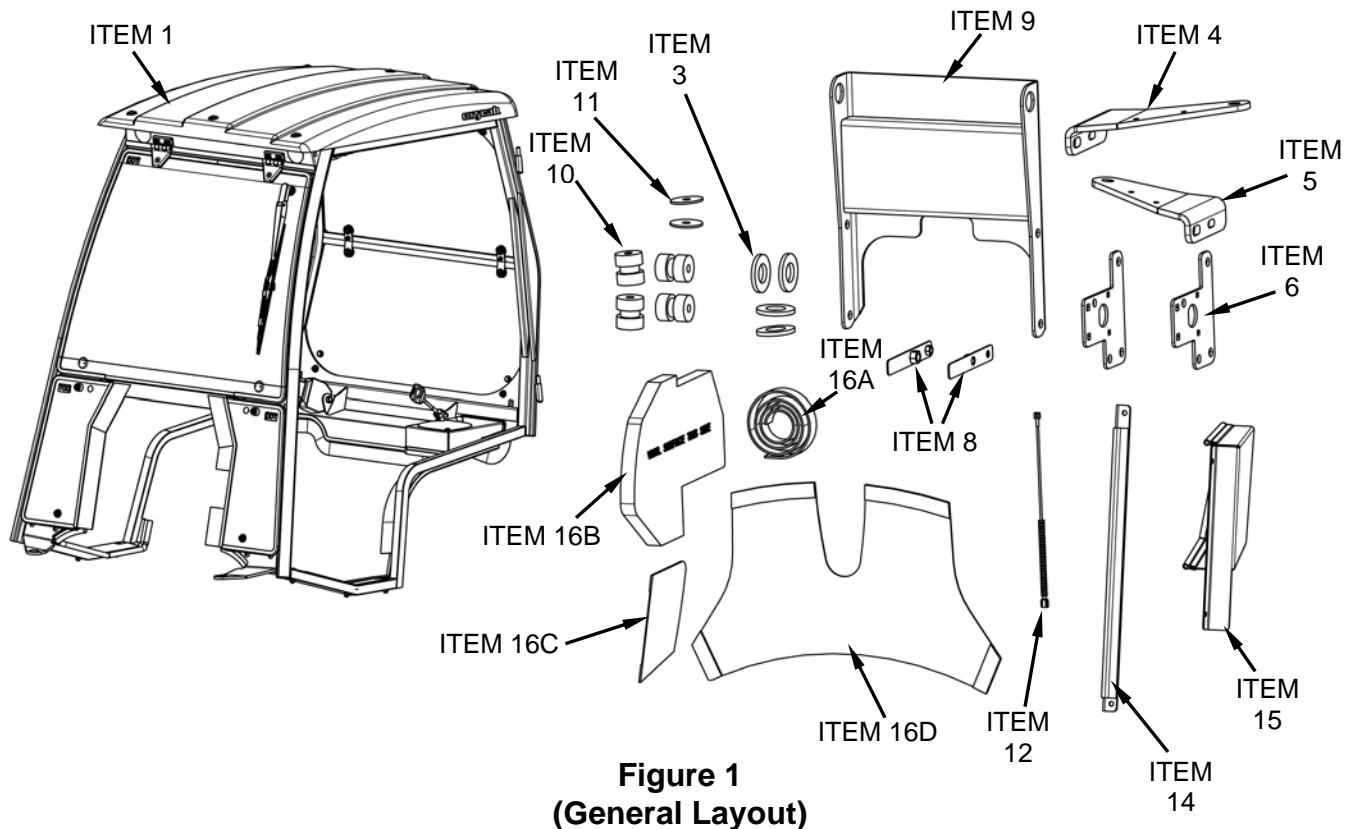
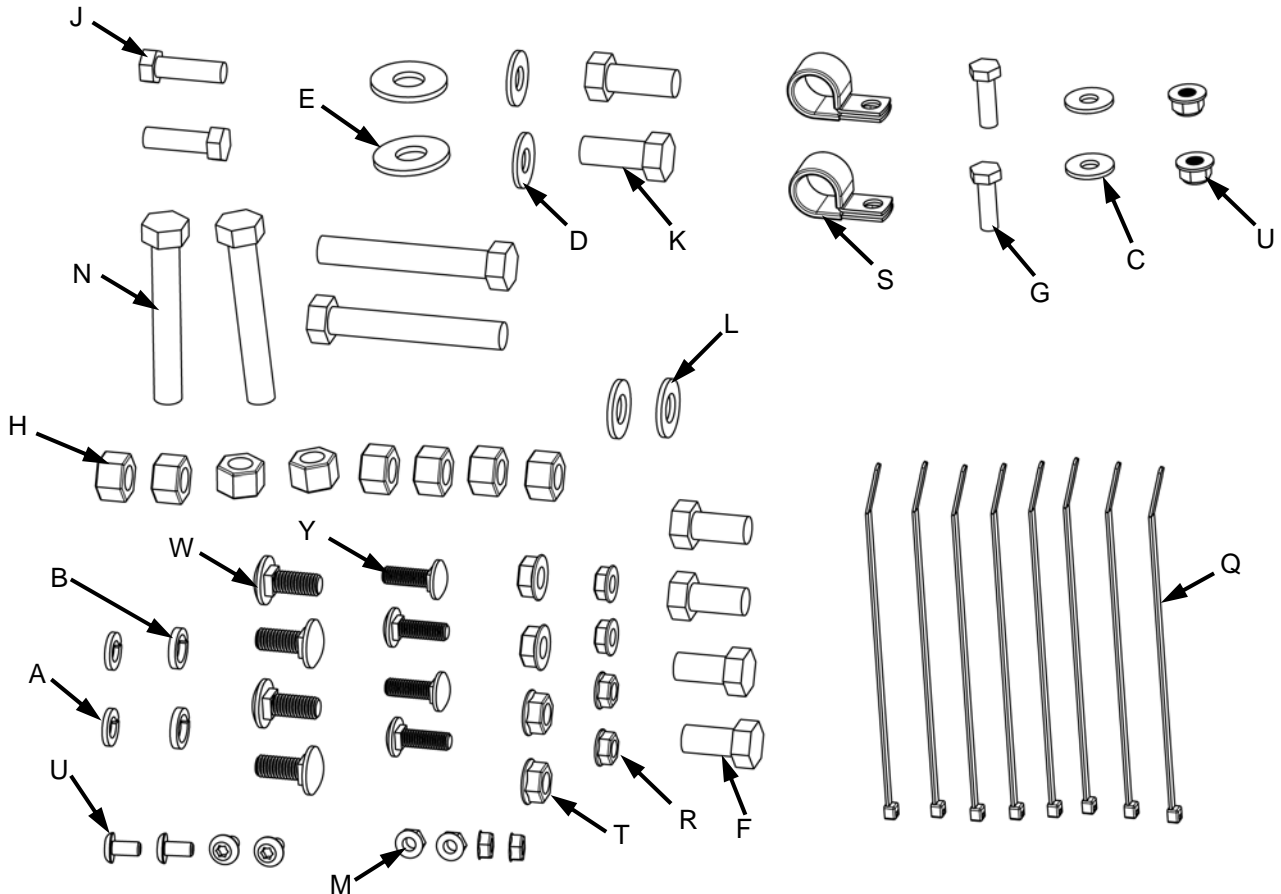


Figure 1
(General Layout)

CAB MOUNTING INSTRUCTIONS

John Deere X Signature Series Model Year 14 and newer

Hardware Components:	ITEM	QTY	PART No.	DESCRIPTION
		1	4-16063	HARDWARE KIT (ITEMS A-Y)
	A	2	3-10078	LOCK WASHER, 3/8"
	B	2	3-10079	LOCK WASHER, 1/2"
	C	2	3-10085	FLAT WASHER, 5/16"
	D	2	3-10086	FLAT WASHER, 3/8"
	E	2	3-10087	FLAT WASHER, 1/2"
	F	4	3-10129	HEX BOLT, 1/2" X 1.00" LONG, GR 5
	G	2	3-10228	HEX BOLT, 5/16" X 1.00" LONG, GR 5
	H	8	3-10379	NUT, NYLOCK, 1/2"
	J	2	3-10394	HEX BOLT, 3/8" X 1.25" LONG, GR 5
	K	2	3-10406	HEX BOLT, 1/2" X 1.25" LONG, GR 5
	L	2	3-12466	WASHER, FLAT TYPE A, 1/2"
	M	4	3-14924	NUT, FLANGE, 1/4"
	N	4	3-15057	HEX BOLT, 1/2" X 3.25" LONG, GR 5
	P	-	-	-
	Q	8	3-16629	NYLON TIE, BLACK
	R	4	3-16836	NUT, FLANGE, M8
	S	2	3-18388	CLAMP, 3/4", P-TYPE
	T	4	3-19053	NUT, FLANGE, M10
	U	4	3-19333	BOLT, TORX HEAD, 1/4" X 1/2" LONG
	V	2	3-20329	NUT, FLANGE, NYLOCK, 5/16"
	W	4	3-20364	BOLT, CARRIAGE, M10X25 GR 8.8
	Y	4	3-20365	BOLT, CARRIAGE, M8X25 GR 8.8



(Hardware)

05-11539
3/25/2016

CAB MOUNTING INSTRUCTIONS
John Deere X Signature Series Model Year 14 and newer

Preparation of tractor:

- 1) Open mounting kit box and layout parts. Refer to **Figure 1** (General Layout and hardware), for parts identification, part numbers and fastener information.
- 2) Open the tractor hood and disconnect battery power.
- 3) Remove engine side panels.

Installing Front mounts:

- 4) Place one inner keeper (8) against the inside surface of LH machine frame plate (**Figure 2**). Align holes with 1/2" and 3/4" holes.
- 5) Place LH front mount (4) against the outside surface of LH machine frame plate. Secure to mount to frame plate using (**Figure 3**):
 - (1) 1/2" x 1.25" bolt (K)
 - (1) 1/2" flat washer (E)
 - (1) 1/2" lock washer (B)
 - (1) 3/8" x 1.25" bolt (J)
 - (1) 3/8" flat washer (D)
 - (1) 3/8" lock washer (A)

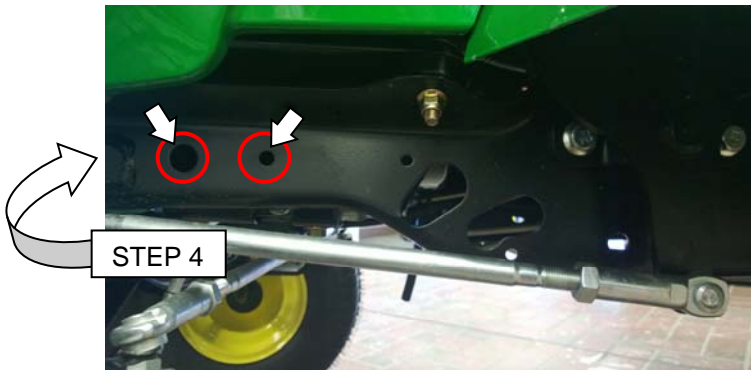


Figure 2

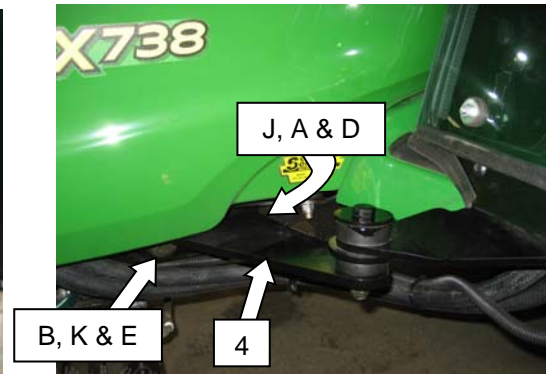


Figure 3

- 6) Place remaining inner keeper (8) against the inside surface of RH machine frame plate. Align holes with 1/2" and 3/4" holes.
- 7) Place RH front mount (5) against the outside surface of RH machine frame plate. Secure to mount to frame plate using;
 - (2) 1/2" x 1.25" bolt (K)
 - (1) 1/2" flat washer (E)
 - (1) 1/2" lock washer (B)
 - (1) 3/8" x 1.25" bolt (J)
 - (1) 3/8" flat washer (D)
 - (1) 3/8" lock washer (A)

CAB MOUNTING INSTRUCTIONS
John Deere X Signature Series Model Year 14 and newer

Installing Rear mount:

- 8) Install rear mount plates (6) to the inside surface of the machine's frame plates. Secure each plate using **(Figure 4)**;
- (2) M10 x 25mm long bolts (W)
 - (2) M10 flange nut (T)
 - (2) M8 x 25mm long bolts (Y)
 - (2) M8 flange nuts (R)

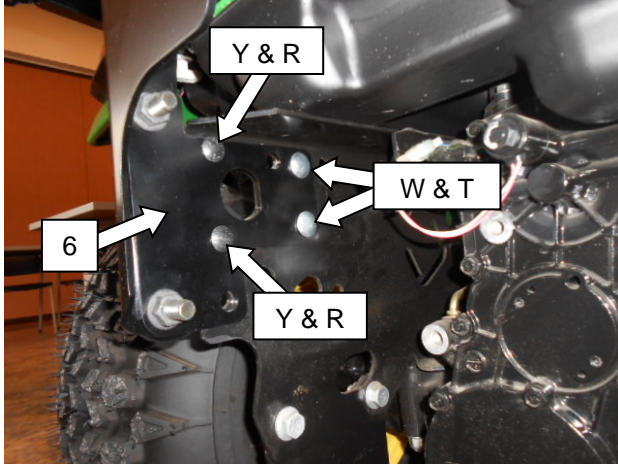


Figure 4

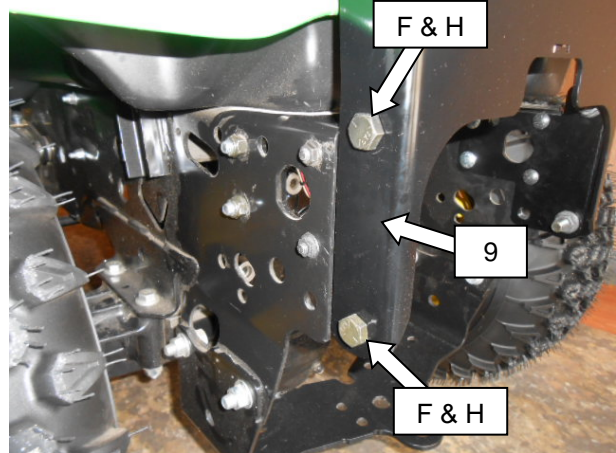


Figure 5

- 9) Secure rear mount weldment (9) to the rear mount plates (6) using **(Figure 5)**;
- (4) ½" x 1.00" bolts (F)
 - (4) ½" Nylock nuts (H)
- 10) Using an overhead hoist and a lifting strap, raise the cab and remove the shipping pallet and crating. Remove front lower windows on cab. Align cab over tractor and lower.
- 11) Secure back of cab to top of rear mount using **(Figures 6 & 7)**;
- (2) ½" x 3.25" long, hex bolts (N)
 - (2) ½" nylock nuts (H)
 - (2) ½" spacer ring (3) (Place on inside of rear mount)
 - (2) ½" rubber mounts (10)

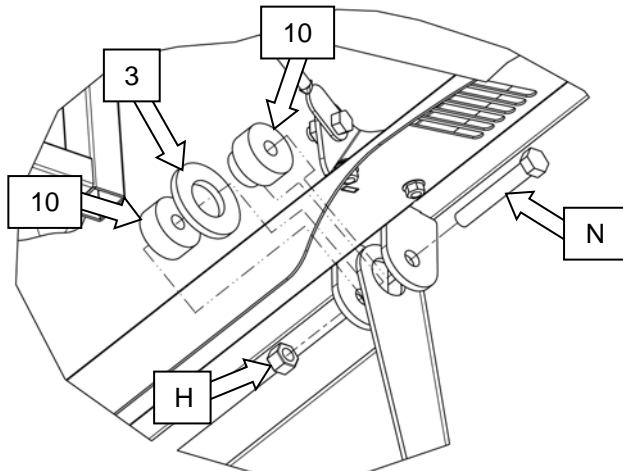


Figure 6

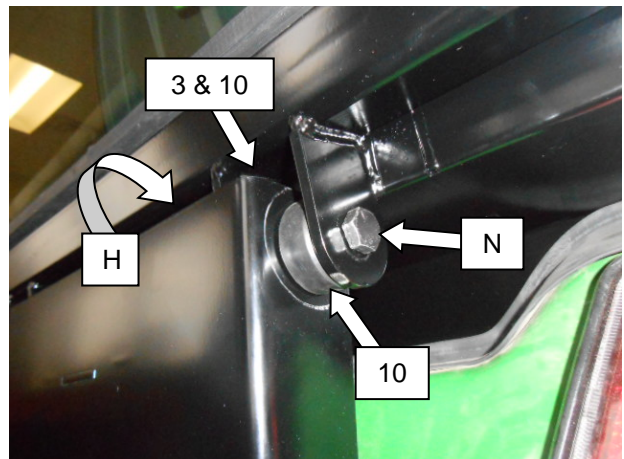


Figure 7

CAB MOUNTING INSTRUCTIONS
John Deere X Signature Series Model Year 14 and newer

- 12) Secure front of cab to each of the front mounts (4 & 5) using **(Figure 8)**;
- (2) 1/2" x 3.25" long, hex bolts (Q)
 - (2) 1/2" nylock nuts (H)
 - (2) 1/2" spacer rings (3)
 - (2) 1/2" rubber mounts (10)
 - (2) 1/2" snubbing washers (11)

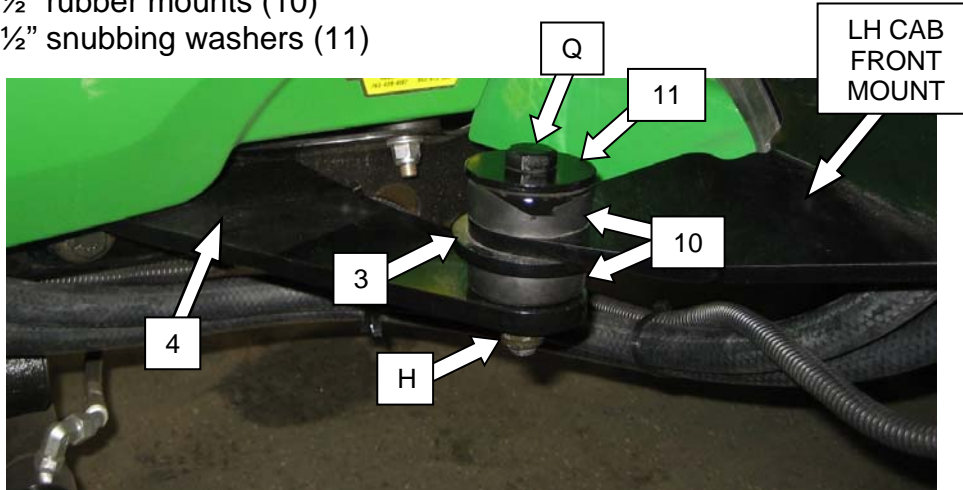


Figure 8

- 13) Tighten all rubber mount bolts so that the rubber bushings are slightly compressed.
- 14) Important! Using a torque wrench, torque all mounting hardware to the following torque specifications:
- 3/8" hardware to 37 ft-lbs (50 N-m)**
 - 1/2" hardware to 90 ft-lbs (112 N-m)**
 - M8 hardware to 17 ft-lbs (23 N-m)**
 - M10 hardware to 33 ft-lbs (45 N-m)**

Installing hood seal-off components:

- 15) Open hood and install RH seal-off panel (16B) into hood intake pocket as shown in **Figure 9**.
- 16) On the outside of LH hood intake screen, clean and apply Velcro hook (16A), (2x) 5.50" and (1x) 4.00" long, to screen as shown in **Figure 10**. Apply LH seal-off panel (16C) onto Velcro applied to LH hood screen area.



Figure 9



Figure 10

CAB MOUNTING INSTRUCTIONS

John Deere X Signature Series Model Year 14 and newer

- 17) Install LH cowl mount bracket (14) to LH front of cab using **(Figures 11 & 12)**;
(2) ¼" x ½" long, torx button bolts (T)
(2) ¼" hex flange nuts (P)
- 18) Install LH cowl pocket assembly (15) on LH cowl mount bracket (14) and secure using **(Figures 11 & 12)**;
(2) ¼" x ½" long, torx button bolts (T)
(2) ¼" hex flange nuts (P)

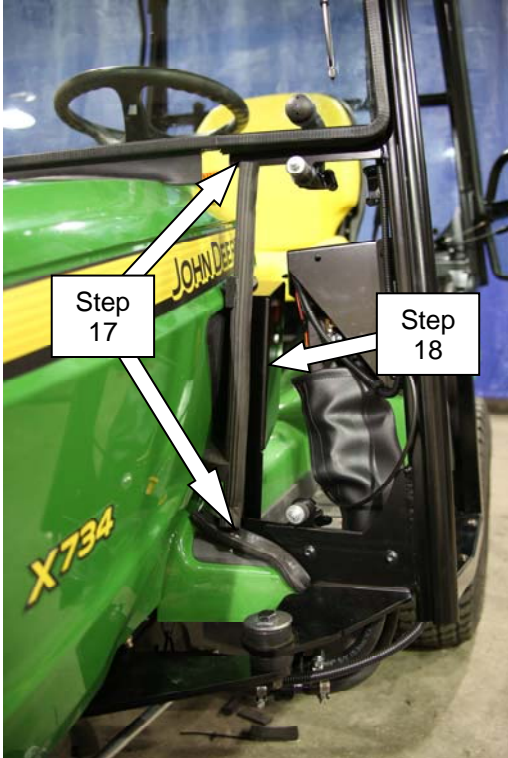


Figure 11

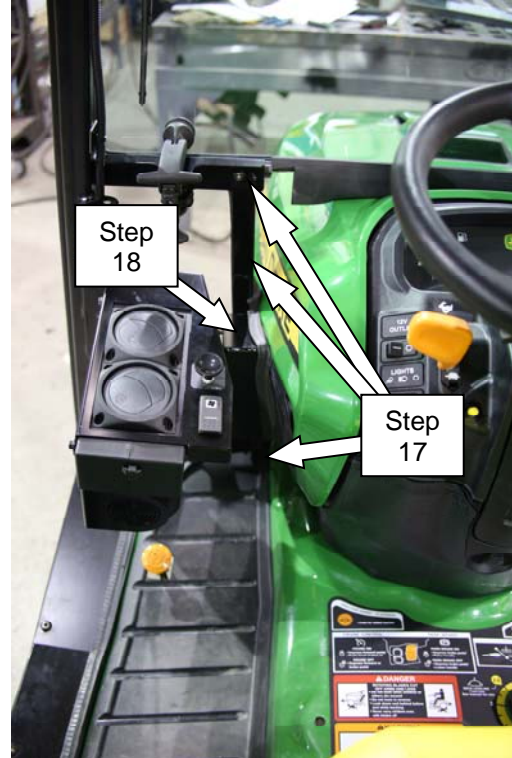


Figure 12

- 19) Clean surfaces of the middle hood intake screen **(Figure 13)** with isopropyl alcohol. Apply Velcro hook (16A), (2x) 6.00" long and (2x) 3.00" long. Middle seal-off panel (16D) can be used to help locate Velcro hook locations. Screen can be removed for install.
- 20) Secure middle seal-off panel (16D) to middle hood intake screen Velcro **(Figure 13)**.

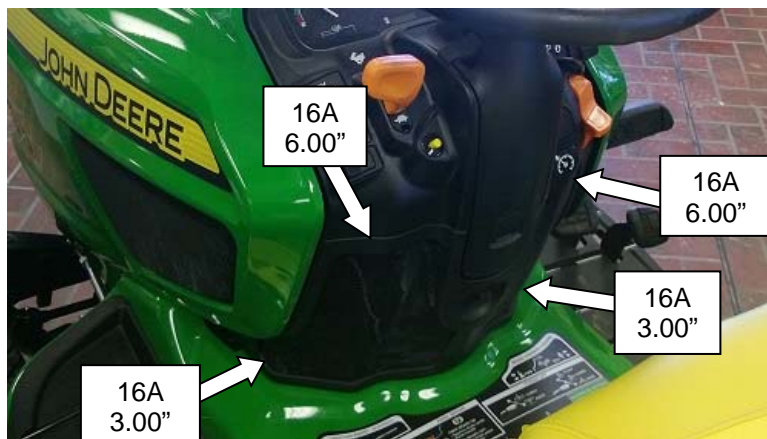


Figure 13

CAB MOUNTING INSTRUCTIONS
John Deere X Signature Series Model Year 14 and newer



Figure 14

- 21) Inspect fuel cover assembly for fuel filler access and proper sealing and operation (**Figure 14**).

Electrical Hook-Up:

- 23) Locate relay-breaker end of wire harness 3-19523 (secured to LH front post of cab for shipping from factory).
- 24) Route ends of main wire harness from LH front post of cab to the battery location.
- 25) Connect positive lead with the red wire from the main relay and breaker harness, to the +12VDC terminal of battery (**Figure 15**).
- 26) Connect negative lead with the black wire from the main relay and breaker harness, to the -12VDC terminal of battery (**Figure 15**).
- 27) Route the blue wire labeled, "Ignition On" from main wire harness to the tractor's electrical panel, located on RH side of cowl. Extend this blue wire by connecting a blue 36" wire extension (12), supplied with mount kit.
- 28) Use the blue T-tap connector to connect the blue wire to "Ignition Run Power" wire coming from the tractor's fuse block terminal (Yellow wire #401B) location (**Figure 16**). Removal of fuse panel may be required to get to the back side of panel.

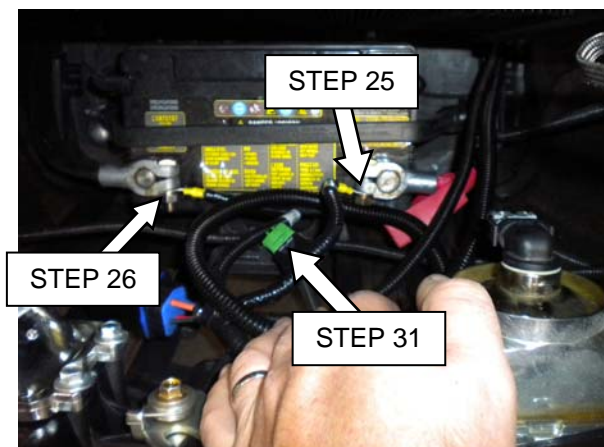


Figure 15

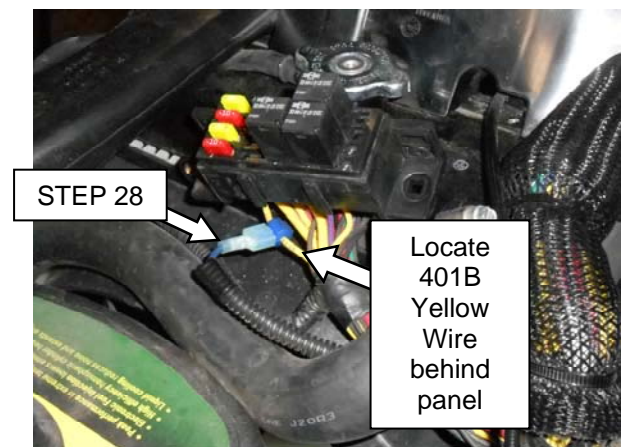


Figure 16

CAB MOUNTING INSTRUCTIONS
John Deere X Signature Series Model Year 14 and newer

- 29) Reconnect battery.
- 30) Check operation of front wiper; Hi, Lo and Off. When the switch on the wiper motor is turned off, wiper will run for a short period of time and then stop or park itself. Wiper should turn off when tractor key is turned off.
- 31) If switch panel has no power, check the breaker located on the red wire of the main relay and breaker harness. Reset breaker if needed (**Figure 15**).
- 32) Check operation of dome light. On/Off. Dome light should go off if tractor key is turned off.
- 33) Secure main relay and breaker harness to 5/16" holes located under the tractor frame area routing to the battery area using (**Figures 18 & 19**);
 - (2) P-clamps, 3/4" (G)
 - (2) 5/16 x 1.00" long bolts (M)
 - (2) 5/16" Flat washers (U)
 - (2) 5/16" Flange nuts (V)

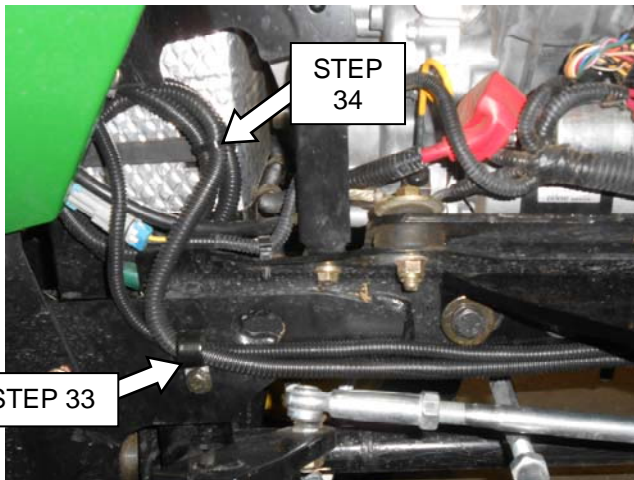


Figure 18

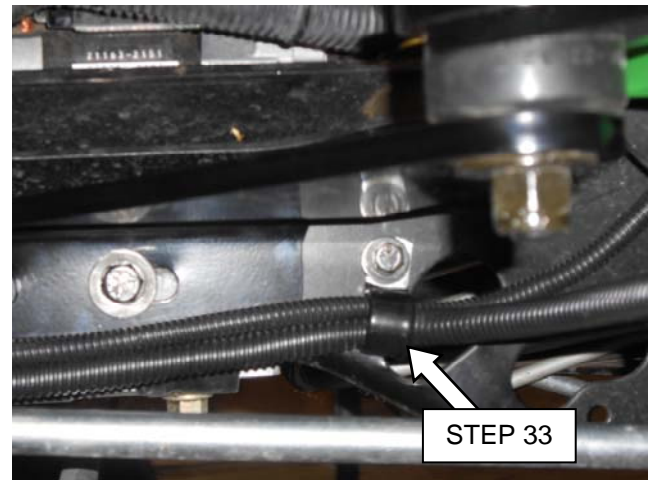


Figure 19

- 34) Coil excess wire harness and secure using nylon ties (Q). Avoid any hot or moving parts. **DO NOT SECURE WIRE HARNESS TO HIGH PRESSURE FUEL LINES!** (**Figure 18**).
- 35) Remount front hose support wire; Holes in both front lower mount plates are for securing front hose support wire.

CAB MOUNTING INSTRUCTIONS
John Deere X Signature Series Model Year 14 and newer

MODEL	FUEL	HP	CC'S	TRANS	ALTERNATOR AMPS	SOURCE CONNECTION	RETURN CONNECTION
X710	GAS OHV	22	745	2WD	20	1/2" BYPASS HOSE	1/2" BYPASS HOSE
X730	GAS EFI	25.5	745	2WD	20	1/2" BYPASS HOSE	1/2" BYPASS HOSE
X734	GAS EFI	25.5	745	2WD AWS	20	1/2" BYPASS HOSE	1/2" BYPASS HOSE
X738	GAS EFI	25.5	745	4WD	20	1/2" BYPASS HOSE	1/2" BYPASS HOSE
X739	GAS EFI	25.5	745	4WD AWS	20	1/2" BYPASS HOSE	1/2" BYPASS HOSE
X750	DIESEL OHV	24	993	2WD	40	M16 SENSOR PORT	LOWER RADIATOR HOSE Y
X754	DIESEL OHV	24	993	2WD AWS	40	M16 SENSOR PORT	LOWER RADIATOR HOSE Y
X758	DIESEL OHV	24	993	4WD	40	M16 SENSOR PORT	LOWER RADIATOR HOSE Y

Cozy Cab Power Requirements

KIT ID	DESCRIPTION	AMP DRAW	FUSE AT
A-12090	FRONT WORK LIGHT, (2) LED 12 VDC	1.6	5
A-12091	REAR WORK LIGHT, (1) LED 12VDC	0.8	2
A-12093	HEATER KIT, 12 VDC WITH FITTINGS FOR GAS ENGINES	7	10
A-12096	REAR WIPER KIT, 12 VDC	3.3	5
A-12098	CAB, FRONT WIPER, 12VDC	3.3	5
A-12098	CAB, DOME LIGHT LED	0.8	3
A-12004	RECIRCULATION FAN KIT, 12 VDC	3.3	5

Revision record;
03-24-16; Correct Figure 2; CAD

Cab installation is now complete. If you have any questions or comments, contact;

 **CUSTOM PRODUCTS** ©2014
OF LITCHFIELD, INC.
PO BOX 70, 1715 S. Sibley Avenue, Litchfield, MN 55355-0070
Ph: (320) 693-3221 Fax: (320) 693-7252
www.800cabline.com

05-11539
3/25/2016

ADDENDUM SHEET
For JDX MY14 ROPS CAB A-12098

Additional information for cab installation;

1. Rear flap seal located on back of cab may be folded rearward toward outside of cab for improved sealing onto tractor's fender.
2. Install butyl tape to seal small air gaps between panels if needed.
3. Remounting of hose spring support wire for snow blower hydraulic hoses, if present; If holes are not present on RH mount bracket, two .343" diameter holes can be drilled as shown in Figure A. Select one of two holes to re-mount hose spring support wire.

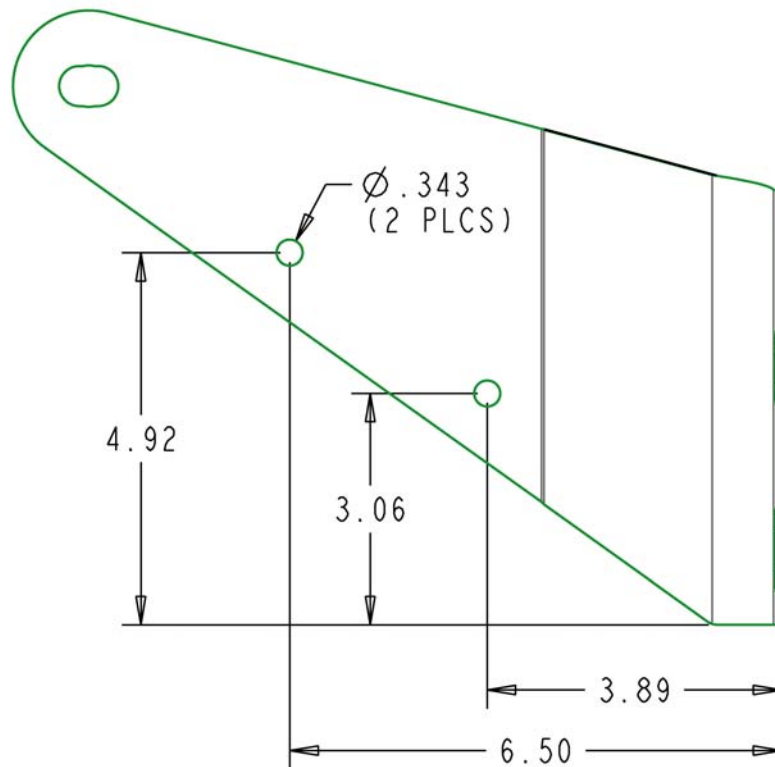
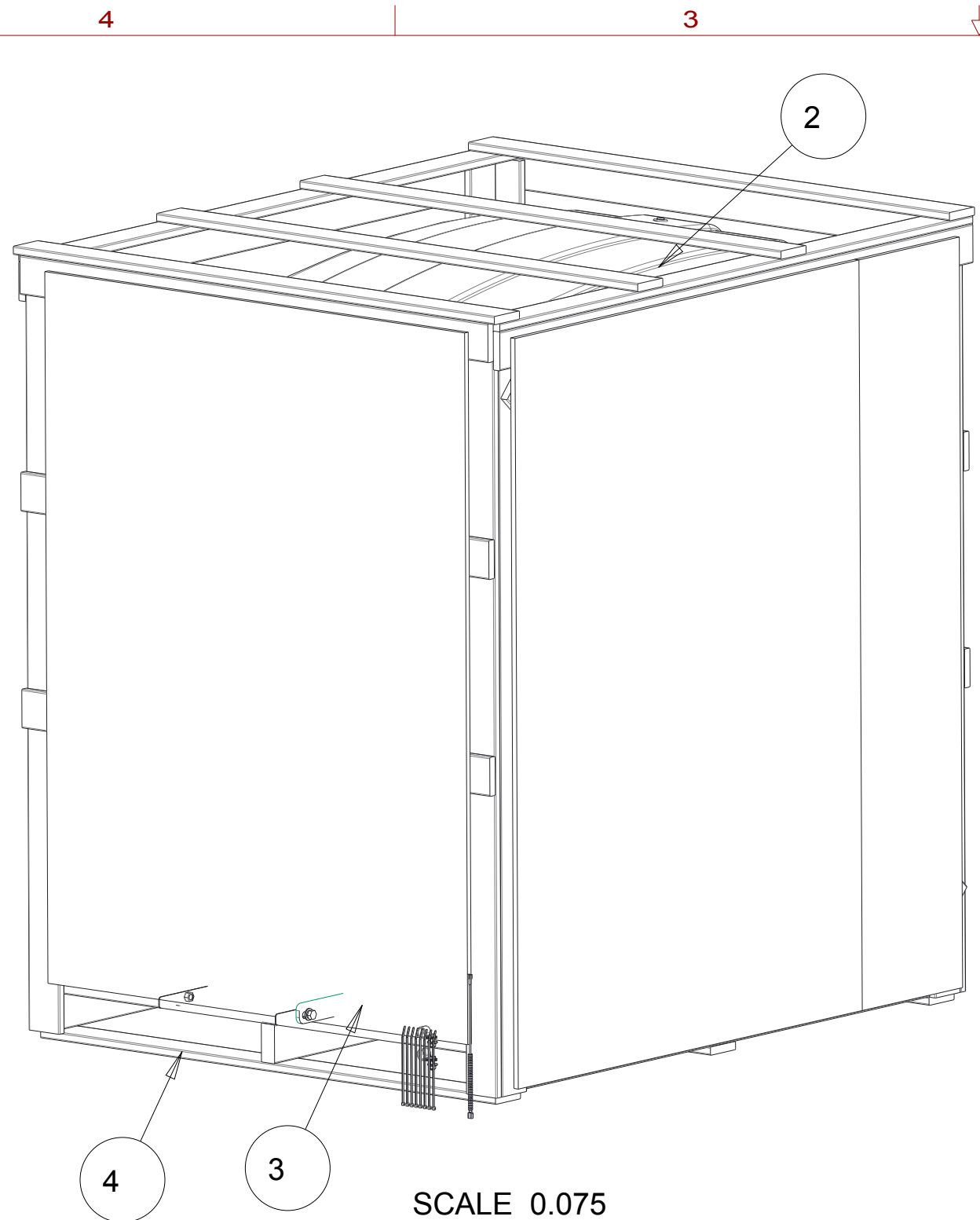


Figure A

Released date: Feb. 6, 2014.

Revised date: Feb. 25, 2014 (added butyl tape note)



REV	DCR #	DESCRIPTION	DATE	CHG BY
A	12686	ADDED DOOR LIMITER PICTURE	12-22-16	CAD

ITEM #	DESCRIPTION	QTY
1	3-17839_POWDER_PAINT_BLK_45	1
2	4-16057_CAB_SHELL_ASM	1
3	4-16062_MOUNT_KIT_MY14	1
4	P-552_PALLET_AND_CRATE	1



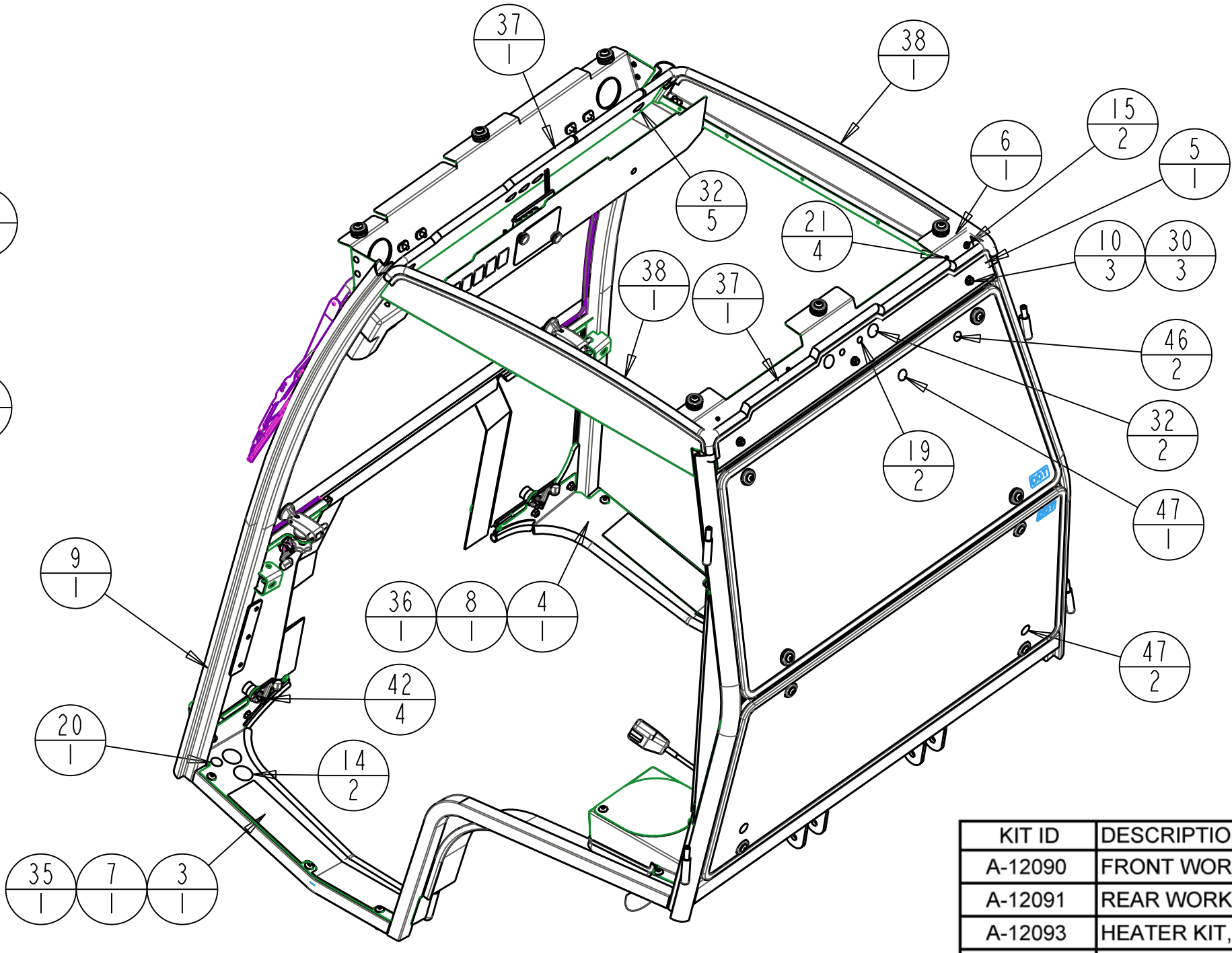
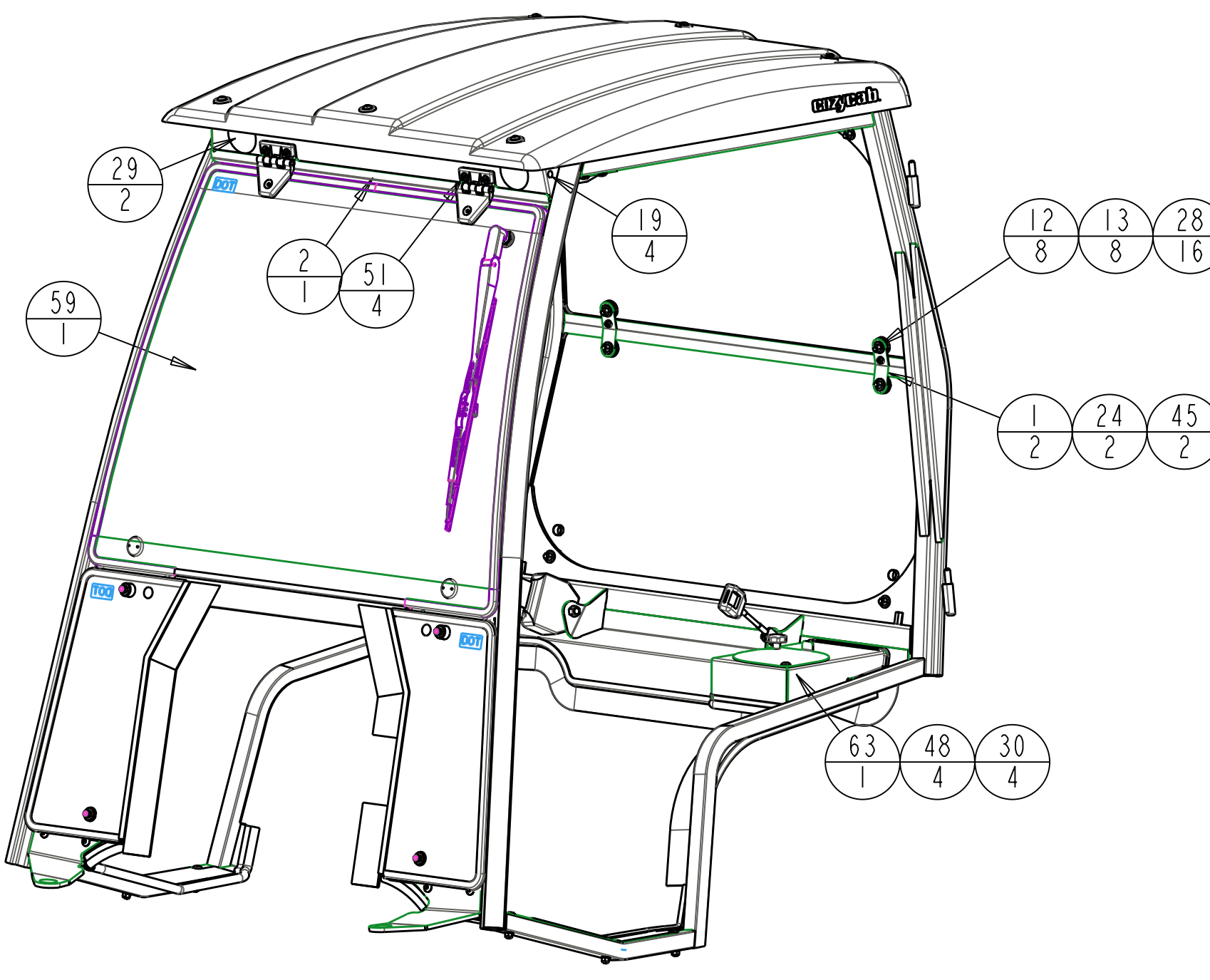
NOTE: WHEN INSTALLING GLASS DOORS ONTO CAB, SECURE CABLE LIMITER AS SHOWN

- NOTES:
1. ROPS TESTED STRUCTURE ISO 21299:2009
 2. SEAT BELTS MEET FMVSS 571.302 TYPE 1 -LABELED
 3. SEAT BELT ANCHORAGE TESTED TO ISO 3776-2:2013 Type 1

THIS DOCUMENT CONTAINS CONFIDENTIAL INFORMATION AND IS THE PROPERTY OF CUSTOM PRODUCTS, AND MAY NOT BE COPIED, REPRODUCED OR DISCLOSED IN ANY MANNER WITHOUT EXPRESS WRITTEN CONSENT FROM CUSTOM PRODUCTS

INTERPRET PER: ASME Y14.5M-1994	ENGINEER CAD	DATE 09-20-13	CUSTOMER JDX MY 14	MODEL NUMBER JDX
UNITS: INCH	DRAWN CAD	DATE 09-20-13	TITLE ASSEMBLY, CAB SHELL LESS DOORS	
TOLERANCES UNLESS OTHERWISE SPECIFIED	 1715 South Sibley Ave Litchfield, MN 55355-0070		DWG. NO A-12098	REV A
1 PL ± 0.1 3 PL ± 0.001 2 PL ± 0.01 HOLES ± .015 ANGULAR TOL. ± 0.5°			SCALE: 0.029	SHEET 1 OF 1
THIRD ANGLE PROJECTION				

REV.	DCR NO.	DESCRIPTION	DRAFTSMAN	DATE
A	-	ADDED SEATBELT AND HARDWARE AND DECK PLATES	CAD	12-02-13
B	11116	ADDED ITEM 3-20510 SPACER	CAD	12-24-13
C	11184	ADDED ITEM 24 HOLE PLUG 5/16"	CAD	01-21-14
D	11187	MADE 4-16170 ROOF ASSEMBLY	SRB	01-22-14
E	11195	ADDED FOAM SEAL 3-14914 & BUTYL TAPE 3-15745	CAD	02-06-14
F	11248	QTY OF ITEM 3-19336 WAS 1	CAD	02-28-14

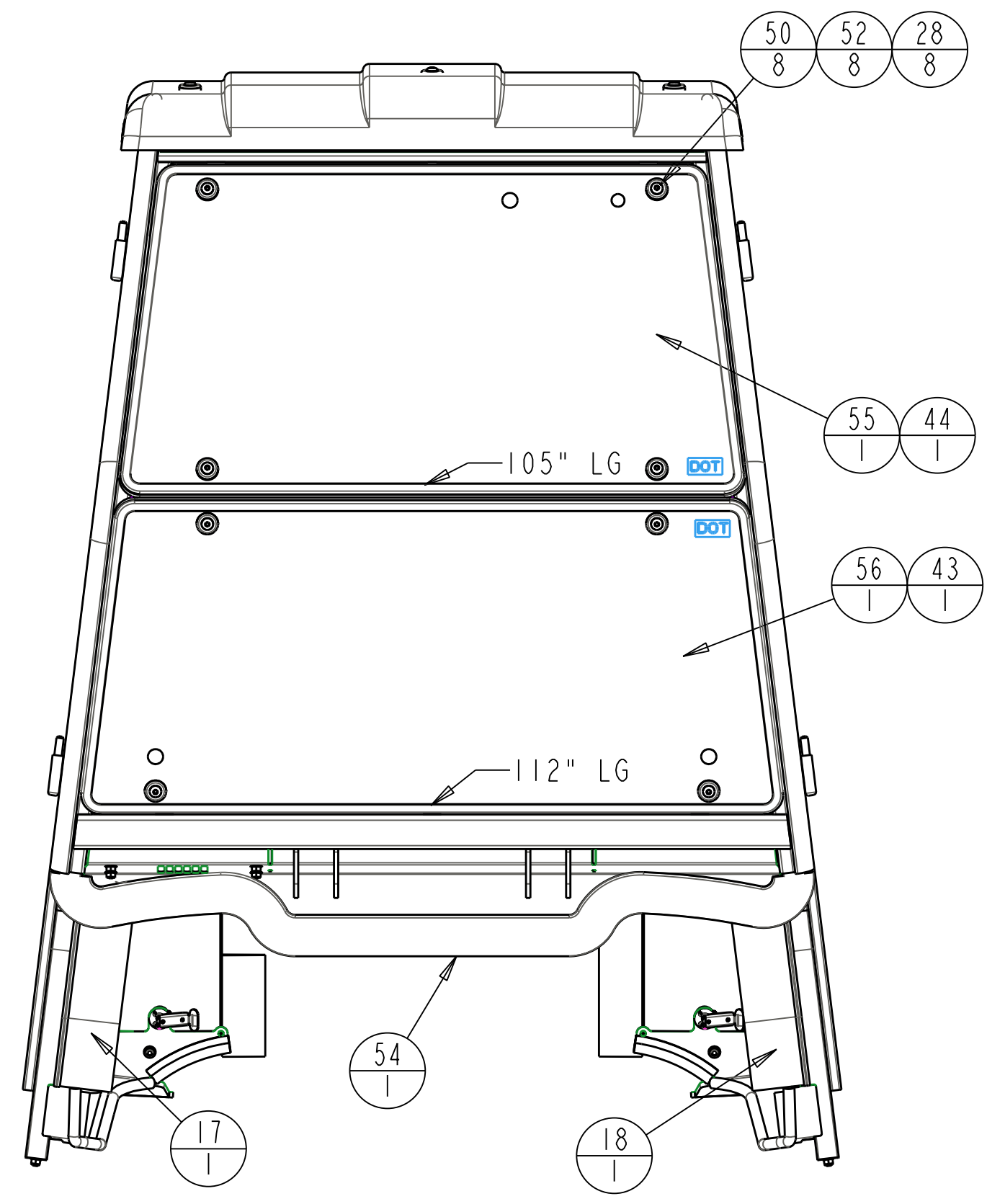
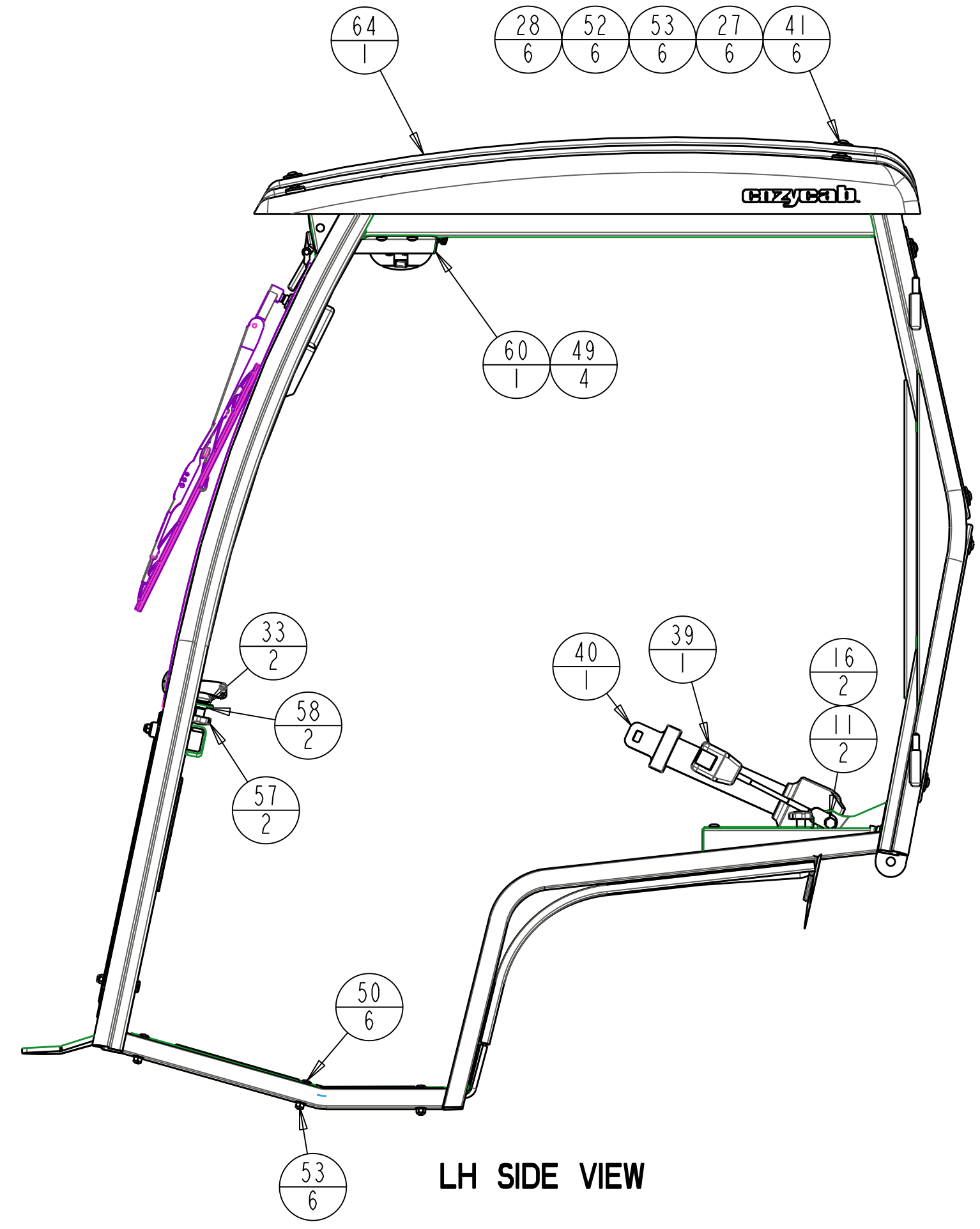
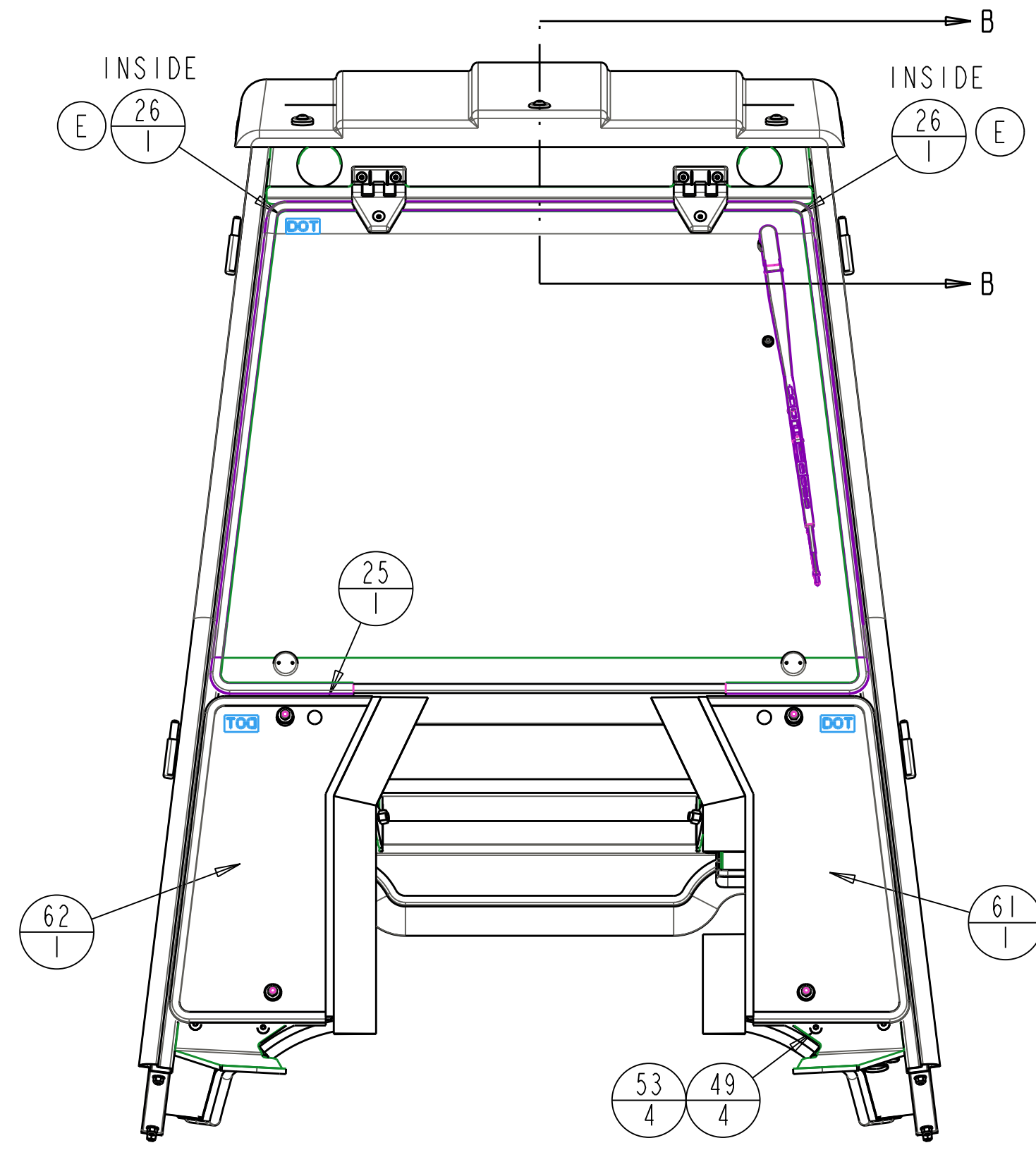
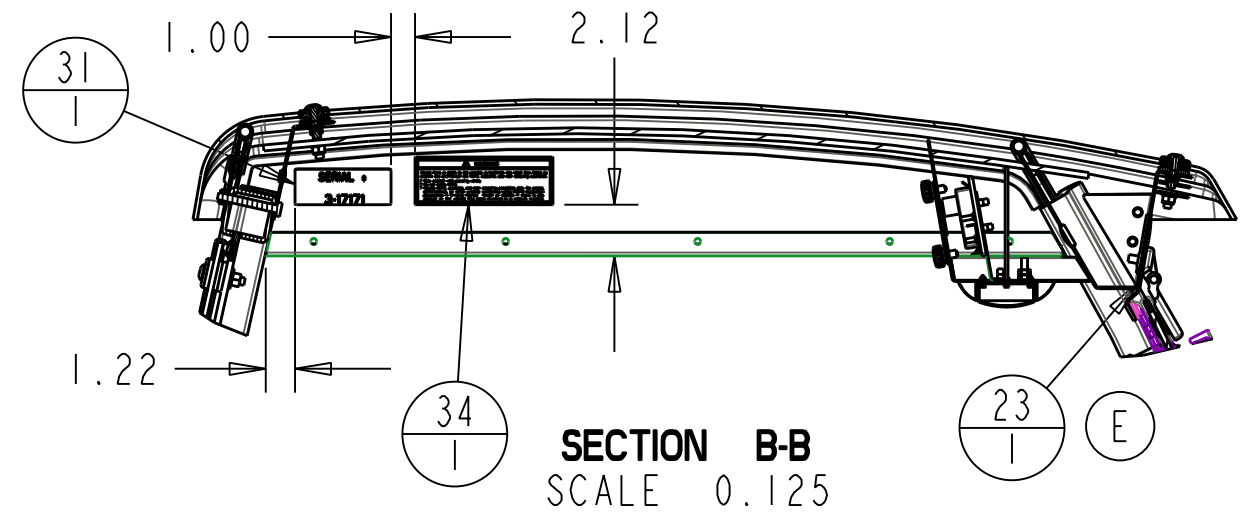


51	3-19345_MSCR_312_X_1_FH_TORX	4
52	3-20187_31_WASHER_HOMOLOGATED	14
53	3-20329_NUT_NYLOC_FLNG_312	16
54	3-20335_FLAP_RUBBER_43_LG	1
55	3-20377_REAR_UPPER_WINDOW	1
56	3-20378_REAR_LOWER_WINDOW	1
57	3-20380_KNOB_M8STUDX125X20LG	2
58	3-20510_WASHER_312_THICK	2
59	4-16058_FRONT_UPPER_WINDOW	1
60	4-16061_OH_SWITCH_CONSOLE	1
61	4-16065_LOWER_LH_WINDOW	1
62	4-16066_LOWER_RH_WINDOW_MIR	1
63	4-16067_GAS_FILLER_COVER_ASM	1
64	4-16170_ASSY_ROOF	1

ITEM #	DESCRIPTION	QTY
1	1-49191_REAR_WINDOW_MNT_TAB	2
2	1-49192_FRONT_UPPER_SEAL_PANEL	1
3	1-49208_LH_DECK_PL_WITH_K-O	1
4	1-49209_RH_DECK_PLATE_MIR	1
5	1-49541_OUTER_REAR_MNT_PANEL	1
6	1-49542_REAR_ROOF_PANEL_MNT	1
7	1-49579_ANTI-SKID_PSA_LH	1
8	1-49580_ANTI-SKID_PSA_RH	1
9	2-17126_CAB_SHELL_MY14	1
10	3-10015_313_HHCS_X250	3
11	3-10045_44_HHCS_X100	2
12	3-10072_3125_NYLOCK	8
13	3-10085_3125_WASHER	8
14	3-10319_138_HOLE_PLUG	2
15	3-10378_50_HOLE_PLUG	2
16	3-10472_4375_NYLOCK	2
17	3-10607_FENDER_FLAP_28_LG	1
18	3-10607_FLAP_SEAL_28_LG_MIR	1
19	3-10721_38_HOLE_PLUG	6
20	3-11741_HOLE_PLUG_75	1
21	3-11833_25_HOLE_PLUG	4
22	3-12126_BOX_FOL	1
23	3-14914_FOAM_SEAL_12X75X_32_25	1
24	3-14924_25_NUT_HEX_FLNG	2
25	3-15014_31_HOLE_PLUG	1
26	3-15745_BUTYL_TAPE_1_00_LG	2
27	3-15769_RUB_WASHER_371DX1250D	6
28	3-16217_GLASS_WASHER	30
29	3-17052_250_HOLE_PLUG	2
30	3-17111_SER_FLNG_NUT_312	7
31	3-17171_DECAL_CP_SERIAL_NUMBER	1
32	3-17390_1_HOLE_PLUG	7
33	3-17731_NUT_PUSH-ON_312	2
34	3-17891_WARNING_DECAL	1
35	3-18110_BUB_RUB_36_LG	1
36	3-18110_BUB_RUB_36_LG_MIR	1
37	3-18110_BUB_RUB_REAR_34_LG	2
38	3-18110_BUB_RUB_SIDE_35_LG	2
39	3-18171-01_SEATBELT_LATCH	1
40	3-18171-02_SEATBELT_STRAP	1
41	3-18324_313_18_NC_125_TH_TORX	6
42	3-19295_ASM_LOCKED	4
43	3-19324_BUB_RUB_LO_112_LG	1
44	3-19324_BUB_RUB_UP_105_LG	1
45	3-19333_MSCR_250X500_TRUSS_TORX	2
46	3-19336_RACHET_PLUG_375_X_250	2
47	3-19337_HOLE_PLUG_750_X_THICK	3
48	3-19338_MSCR_313X50_TRUSS_TORX	4
49	3-19340_MSCR_313X75_TRUSS_TORX	8
50	3-19343_MSCR_313X175_TRUSS_TORX	14

KIT ID	DESCRIPTION	AMP DRAW	FUSE AT
A-12090	FRONT WORK LIGHT, (2) LED 12 VDC	1.6	5
A-12091	REAR WORK LIGHT, (1) LED 12VDC	0.8	2
A-12093	HEATER KIT, 12 VDC WITH FITTINGS FOR GAS ENGINES	7	10
A-12096	REAR WIPER KIT, 12 VDC	3.3	5
A-12098	CAB. FRONT WIPER, 12VDC	3.3	5
A-12098	CAB. DOME LIGHT LED	0.8	3
A-12004	RECIRCULATION FAN KIT, 12 VDC	3.3	5

NOTE: 1. ROUTE MAIN WIRE HARNESS 3-19523 FROM FUSE BLOCK, DOWN LH FRONT CAB TUBE; COIL AND TIE TO TUBE FOR SHIPPING



FRONT VIEW
SCALE 0.125

LH SIDE VIEW

REAR VIEW

THIS DOCUMENT CONTAINS CONFIDENTIAL INFORMATION AND IS THE PROPERTY OF CUSTOM PRODUCTS OF LITCHFIELD, INC. AND MAY NOT BE COPIED, REPRODUCED OR DISCLOSED IN ANY MANNER WITHOUT EXPRESSED WRITTEN CONSENT FROM CUSTOM PRODUCTS OF LITCHFIELD, INC.

TOLERANCES UNLESS NOTED OTHERWISE

CUSTOMER NAME & MOD NO.: JDX MY14 A-12098

CUSTOM PRODUCTS 1715 SOUTH SIBLEY AVE LITCHFIELD, MN 55355

DATE: 09-20-13

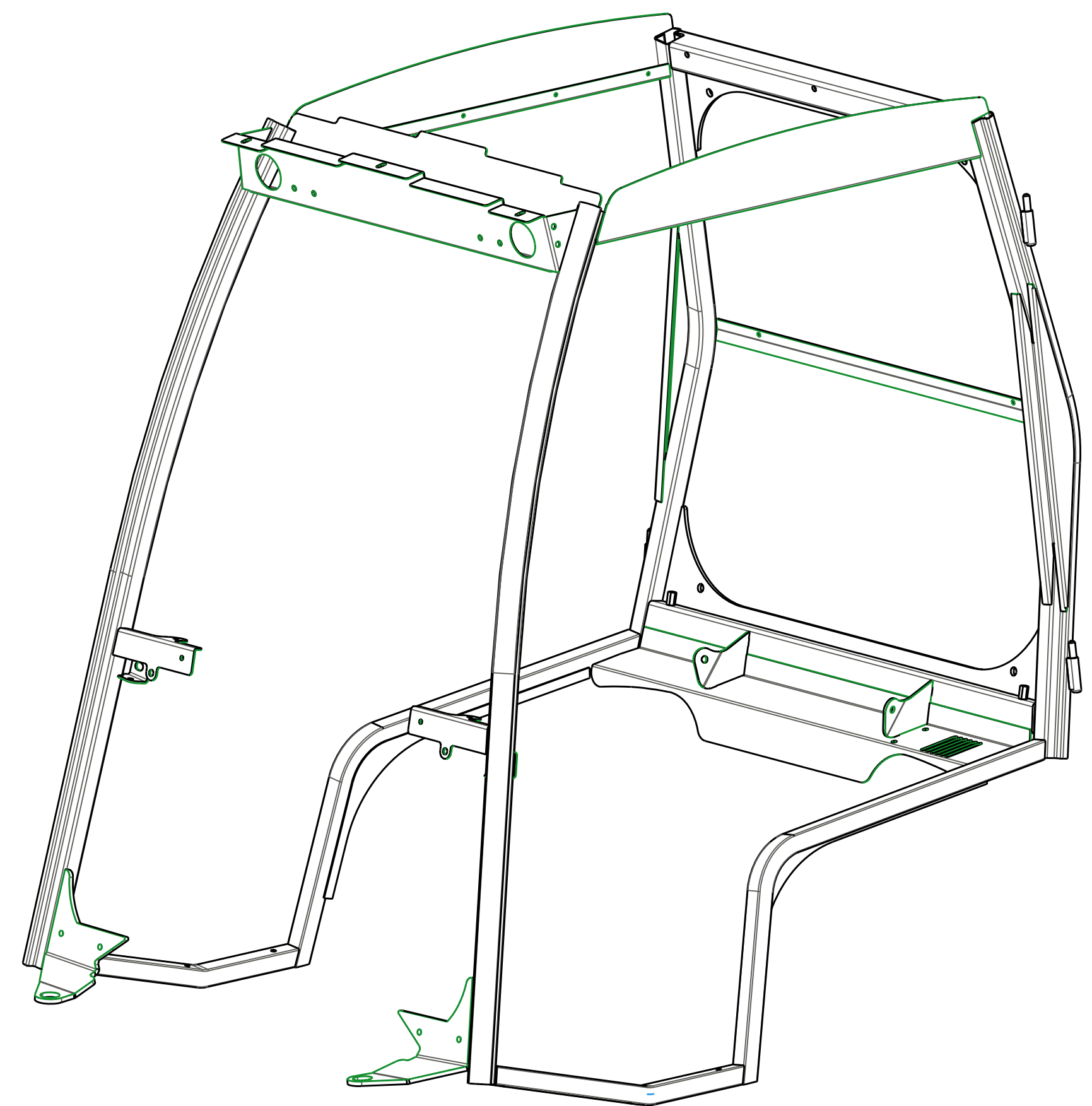
REV LEVEL: F

REV: D

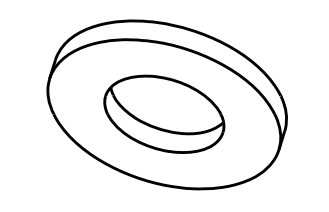
DATE: 09-20-13

NAME: CAD3 OBJECT: 4-16057_1 DATE: 28-Feb-14 11:27:21

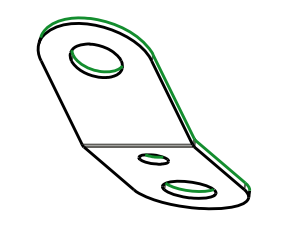
REV.	DCR NO.	DESCRIPTION	DRAFTSMAN	DATE
A	-	OMITTED ITEMS 1-49582, 1-49583 & 1-49587; ADDED ITEM 1-49761	CAD	12-30-13
B	-	SEE SHEET 1	-	-
C	-	SEE SHEET 1	-	-
D	11187	SEE SHEET 1	SRB	01-22-14
E	11195	SEE SHEET 1	CAD	02-03-14
F	11248	SEE SHEET 1	CAD	02-28-14



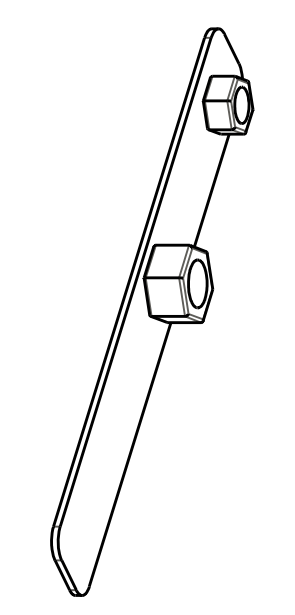
2-17126 QTY=1
CAB WELDMNT



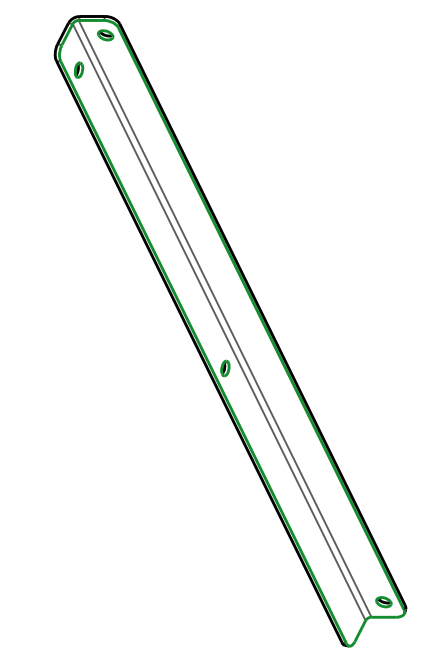
1-49216 QTY=4
SPACER RING



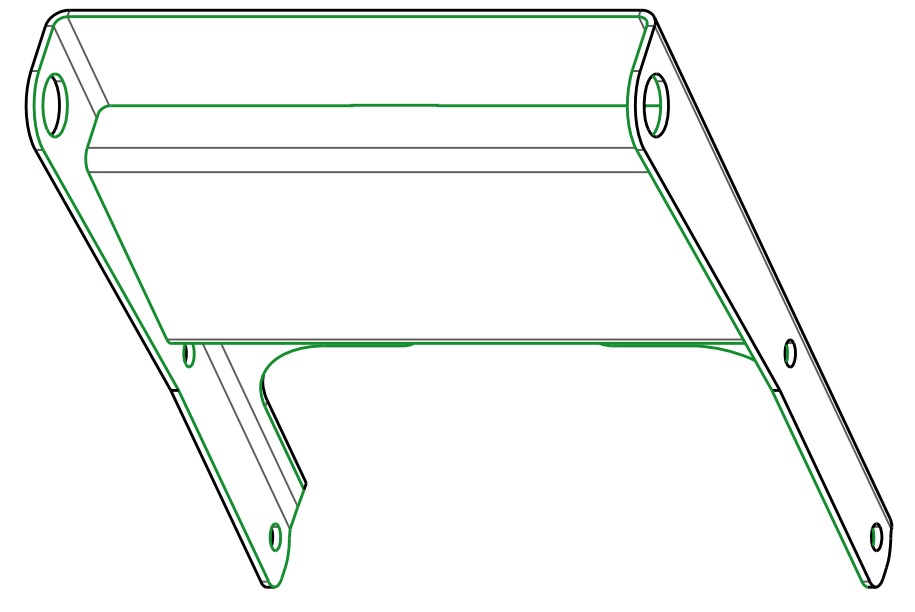
1-49191 QTY=2
REAR WINDOW TAB



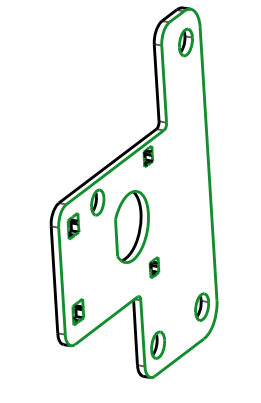
2-17124 QTY=2
INNER KEEPER



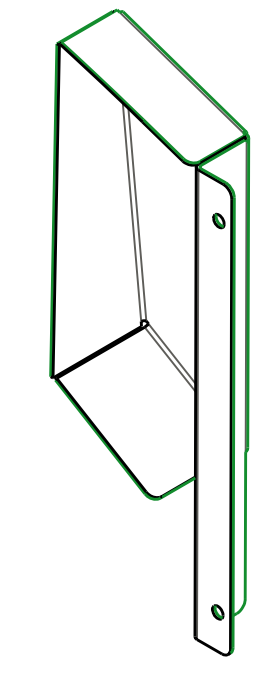
1-49581 QTY=1
COWL MOUNT LH



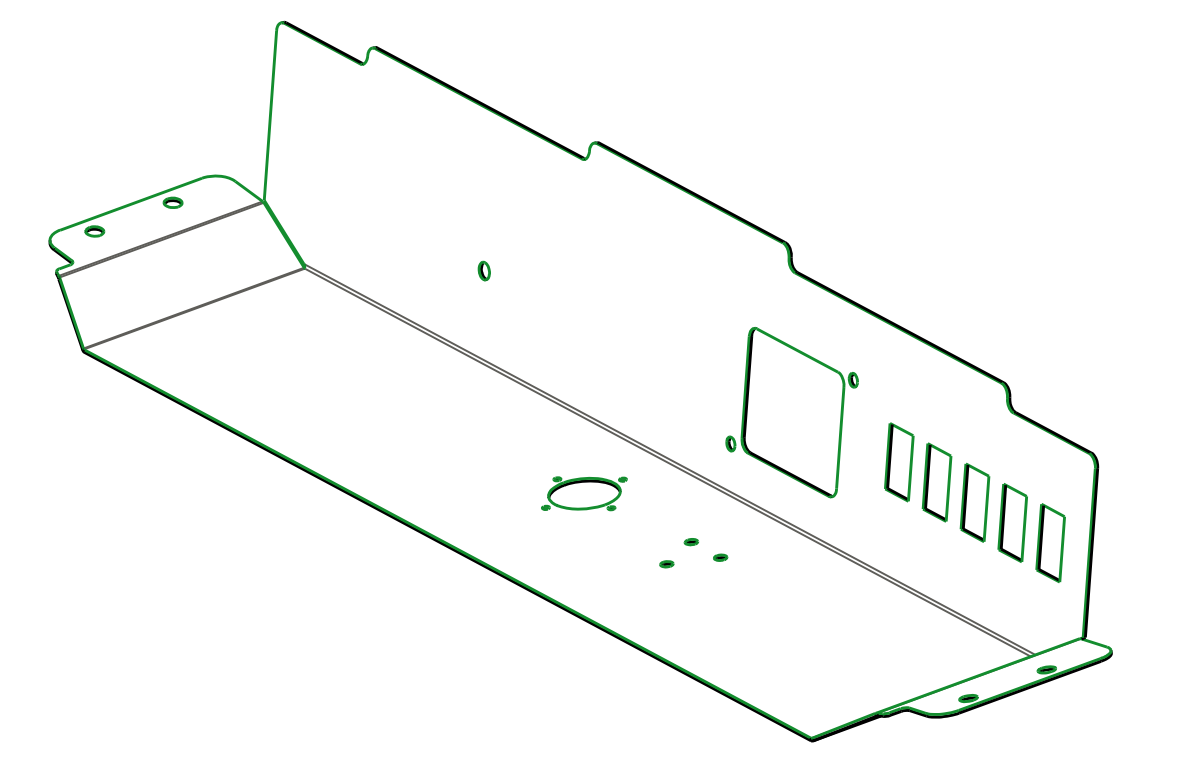
2-17136 QTY=1
REAR MOUNT



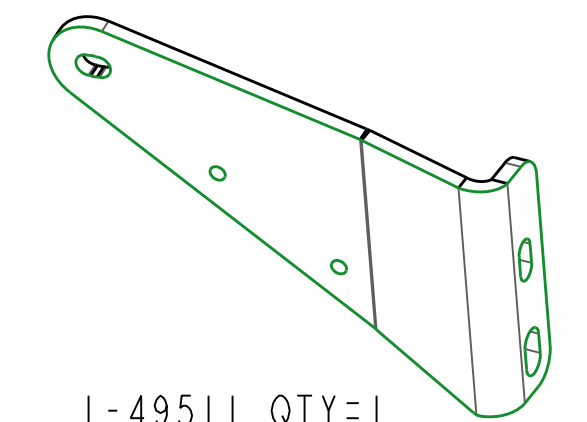
1-49513 QTY=2
REAR MOUNT PLATE



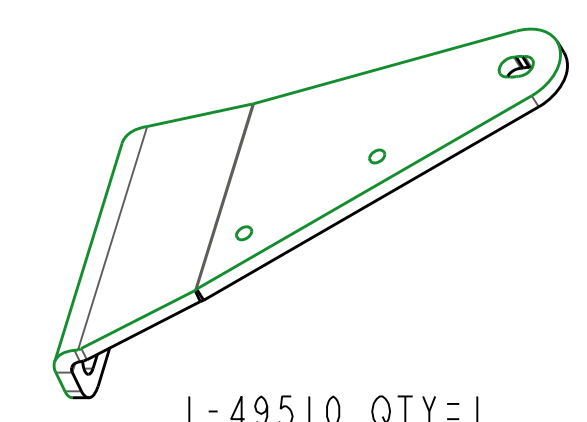
1-49761 QTY=1
COWL POCKET INTAKE



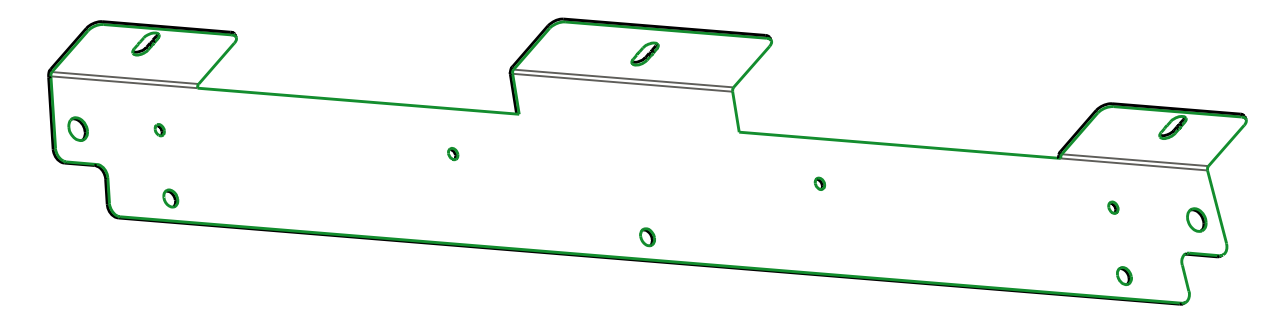
1-49512 QTY=1
OH SWITCH CONSOLE



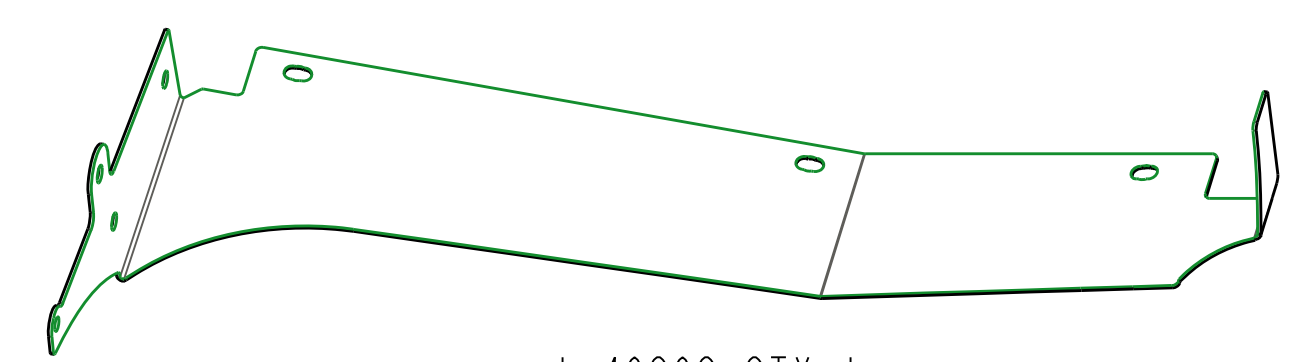
1-49511 QTY=1
FRONT RH MOUNT



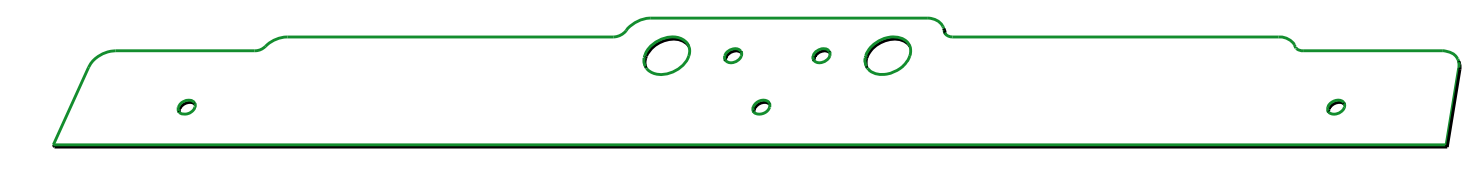
1-49510 QTY=1
FRONT LH MOUNT



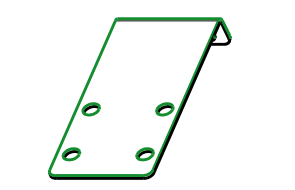
1-49541 QTY=1
REAR ROOF MOUNT



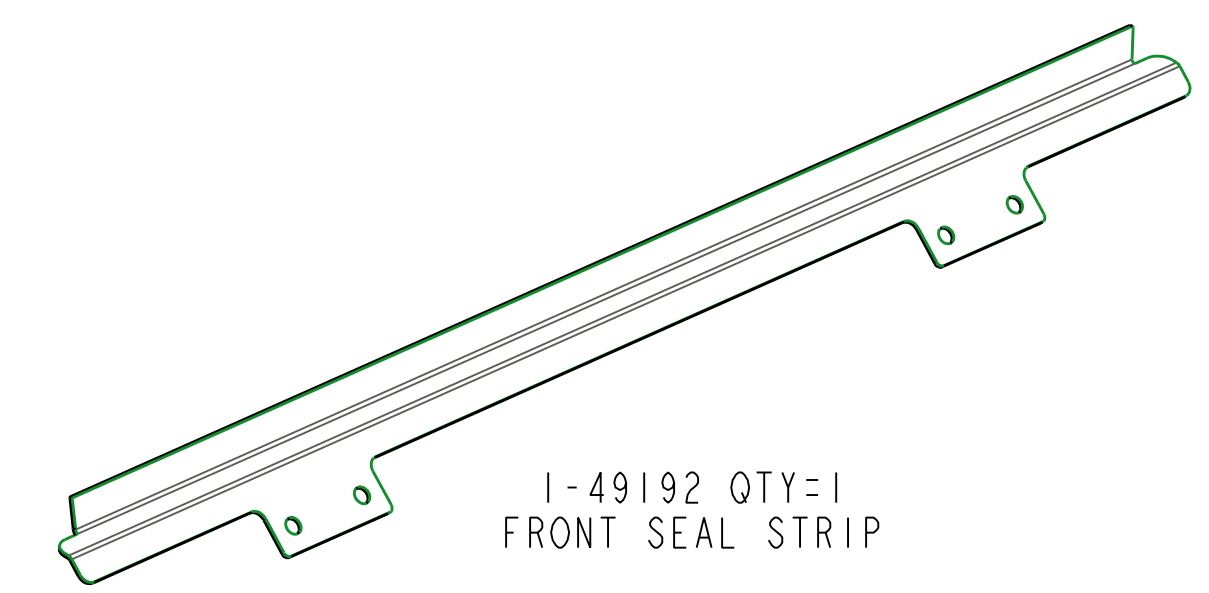
1-49208 QTY=1
DECK PLATE LH



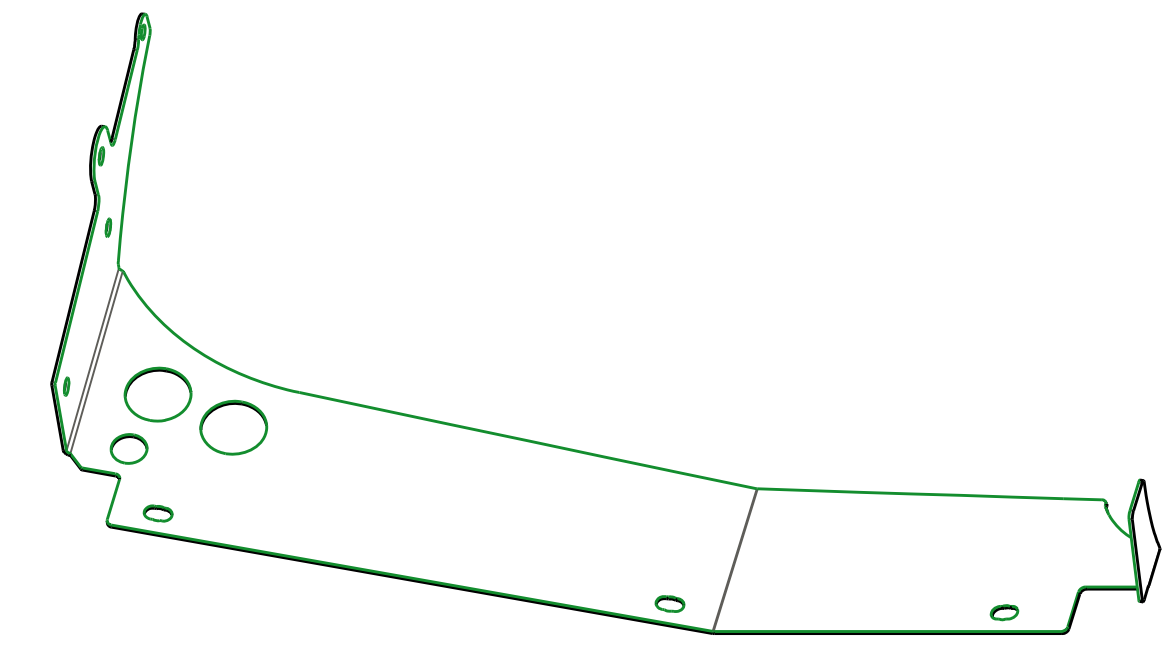
1-49542 QTY=1
REAR SEAL PLATE



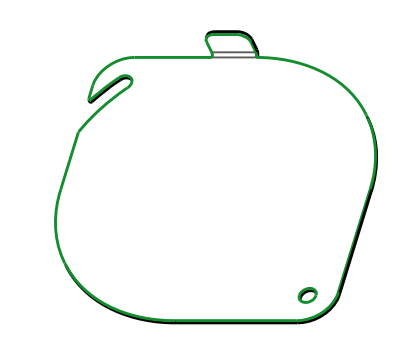
1-49206 QTY=1
FB MOUNT PLATE



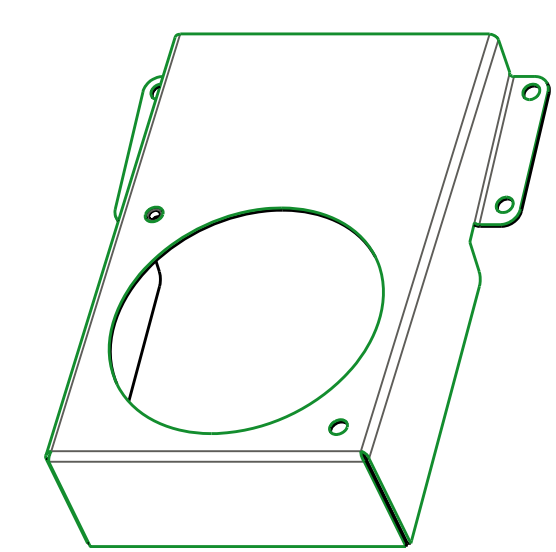
1-49192 QTY=1
FRONT SEAL STRIP



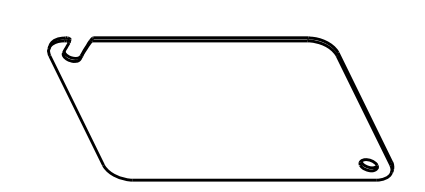
1-49209 QTY=1
DECK PLATE RH



1-49546 QTY=1
FUEL COVER PLATE



2-17153 QTY=1
FUEL ACCESS HOUSING

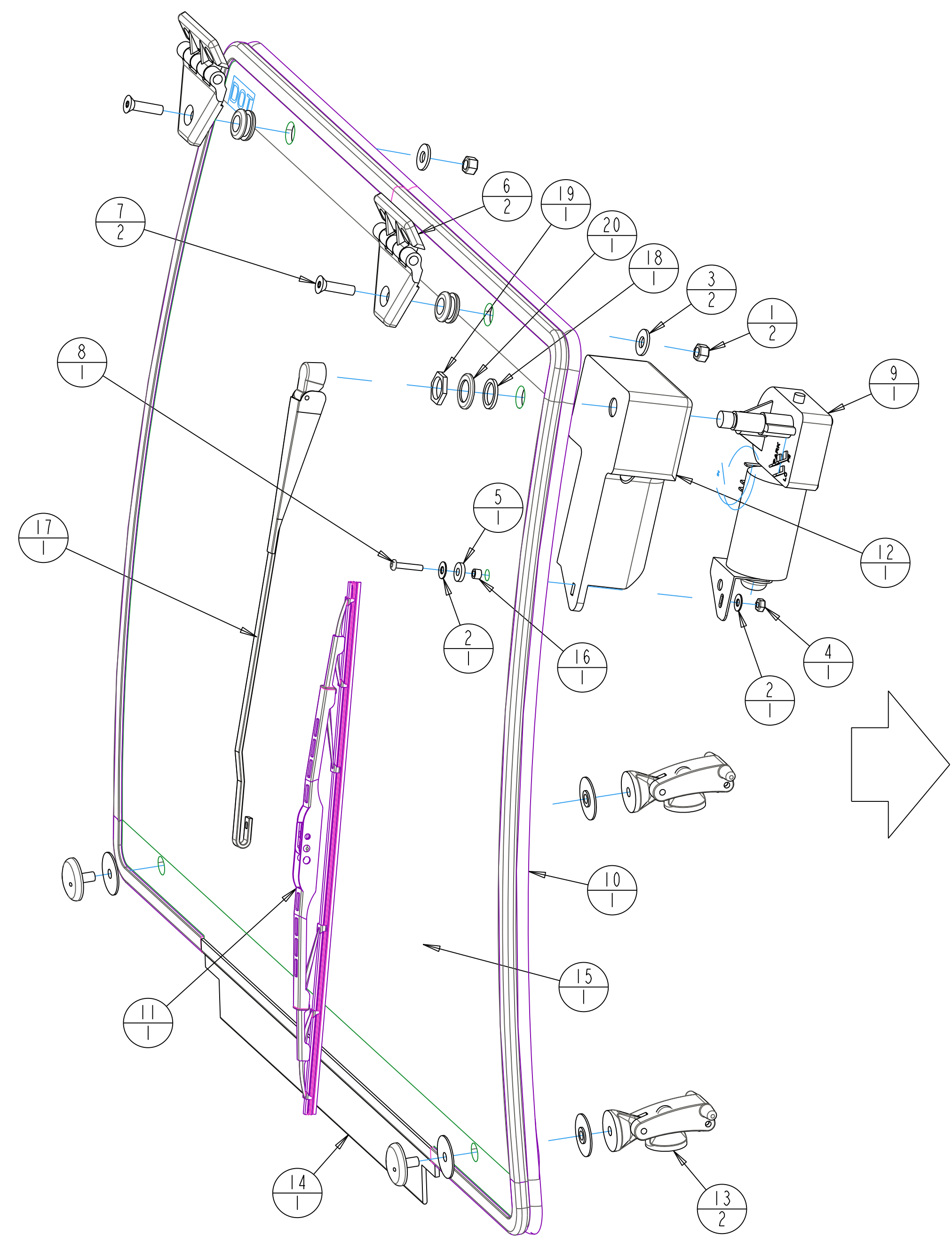


1-49207 QTY=1
FUSE COVER PANEL

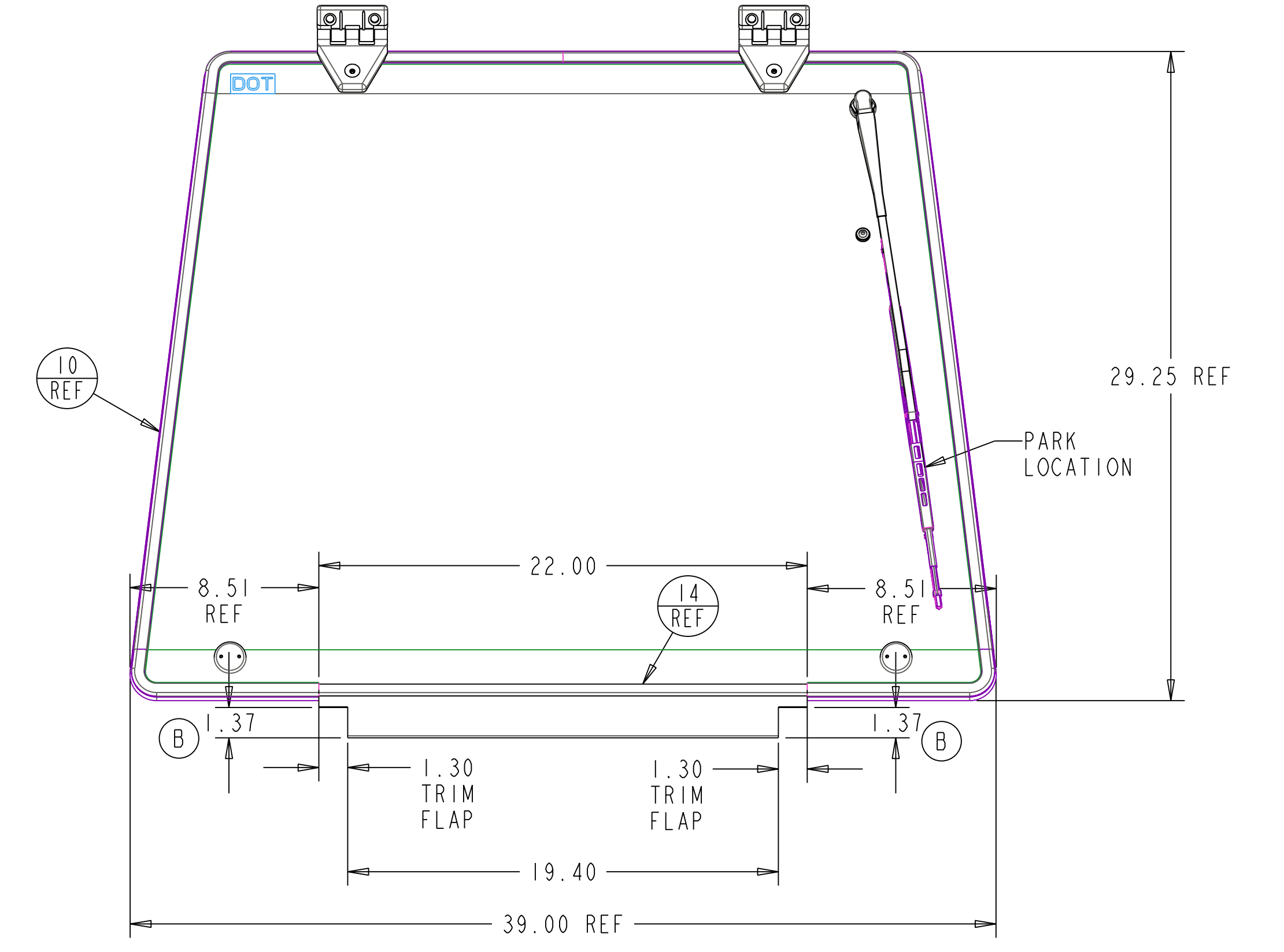
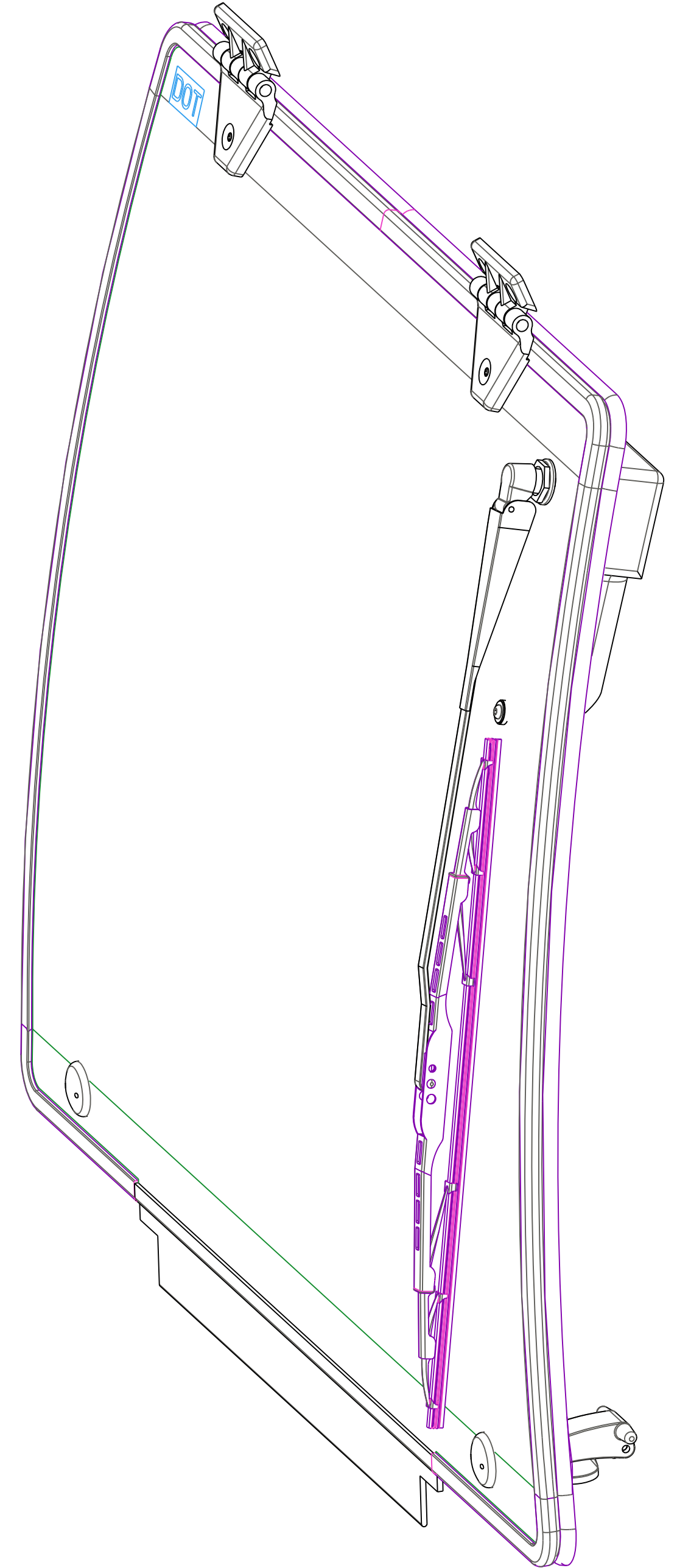
TOLERANCES UNLESS NOTED OTHERWISE		CUSTOMER NAME & MOD NO. JDX MY14 A-12098		MATERIAL SPEC.	
X ± .09	XXX ± .06	CUSTOM PRODUCTS 1715 SOUTH SIBLEY AVE LITCHFIELD, MN 55355		DRWG SIZE	DRWG NO.
XXX ± .03	HOLE SIZE	CAB SHELL -PARTS ID		D	4-16057
1/16" ± .00	ANGLE ± 5°				2 of 2
				REV LEVEL	F
				DRWN	CAD DATE 10-18-13

NAME: CAD2 OBJECT: 4-16057_2 DATE: 28-Feb-14 11:27:37

REV.	DCR NO.	DESCRIPTION	DRAFTSMAN	DATE
A	11166	REPLACED 3-15577 WITH 3-19625	ZAD	1/15/14
B	11220	UPDATED FLAP TRIMMING DETAIL	CAD	2/17/14
C	11439	WIPER ARM 3-20592 WAS 3-19620	CAD	7/14/14



SCALE 0.333



SCALE 0.200

ITEM #	DESCRIPTION	QTY
1	3-10072_3125_NYLOCK	2
2	3-10083_WASHER_NO10	2
3	3-10085_3125_WASHER	2
4	3-10308_1024_NYLOCK	1
5	3-10645_WASER_RUB_25	1
6	3-18452_HINGE_GLASS_-45	2
7	3-18453_MSCR_312-18X125_FH_TORX	2
8	3-18703_BH_SOCKET_10-24_X_1_00	1
9	3-18799_Y_MOTOR_RH_100_TOG_SW	1
10	3-19324_BUB_RUB_FRONT_106_LG	1
11	3-19621_WIPER_BLADE_18_HOOK_END	1
12	3-19625_WIPER_MOTOR_COV	1
13	3-19650_TEE_HANDLE_MAUSER	2
14	3-20335_FLAP_SEAL_22_LG	1
15	3-20375_FRONT_WINDOW_UPPER	1
16	3-20390_SPACER_NYLON_312X192X22	1
C 17	3-20592_WIPER_ARM	1
18	REF_3-18799_RUBBER_WASHER	1
19	REF_3-18799_WIPER_NUT	1
20	REF_3-18799_WIPER_RING	1

THIS DOCUMENT CONTAINS CONFIDENTIAL INFORMATION AND IS THE PROPERTY OF CUSTOM PRODUCTS OF LITCHFIELD, INC. AND MAY NOT BE COPIED, REPRODUCED OR DISCLOSED IN ANY MANNER WITHOUT EXPRESSED WRITTEN CONSENT FROM CUSTOM PRODUCTS OF LITCHFIELD, INC.

TOLERANCES UNLESS NOTED OTHERWISE: X ± .09, XX ± .06, XXX ± .03, HOLE SIZE /05/.00, ANGLE ± 5°

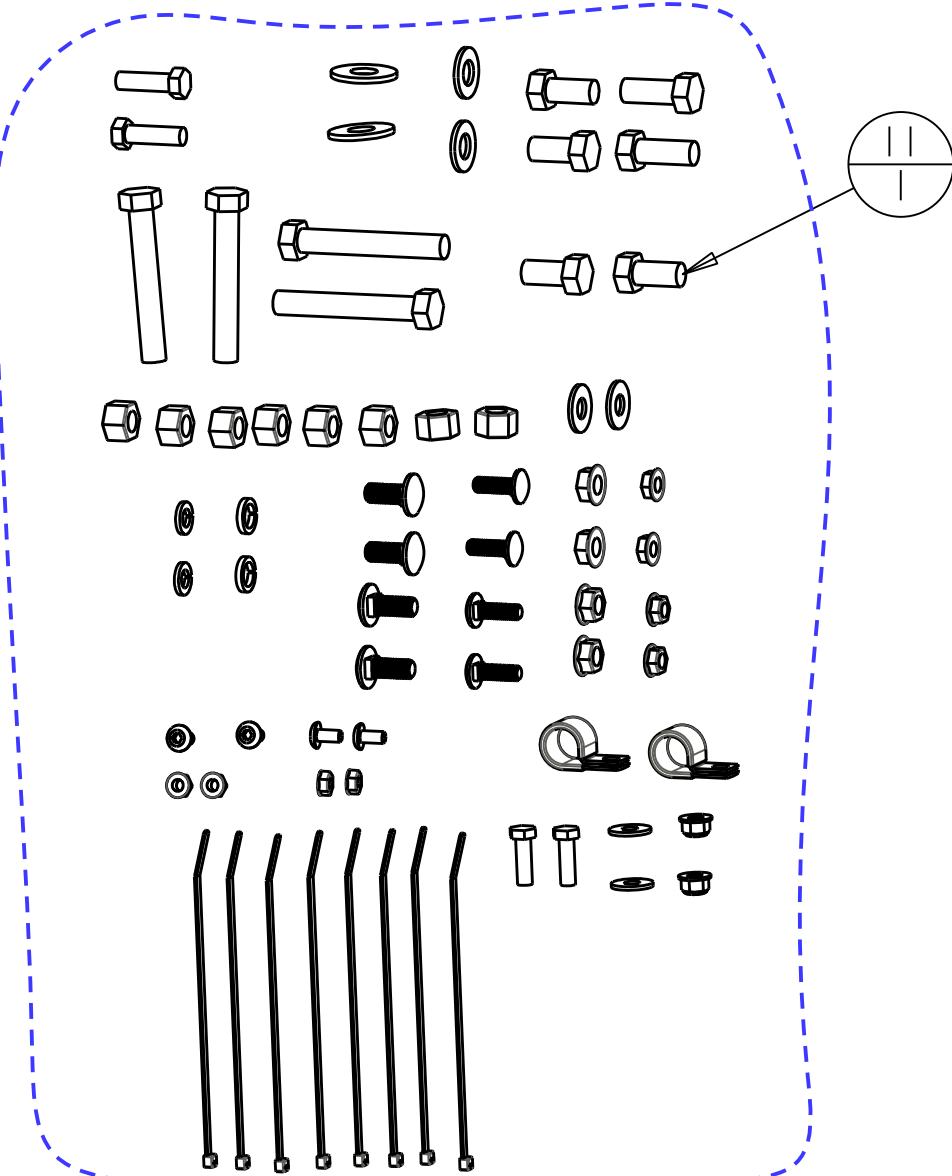
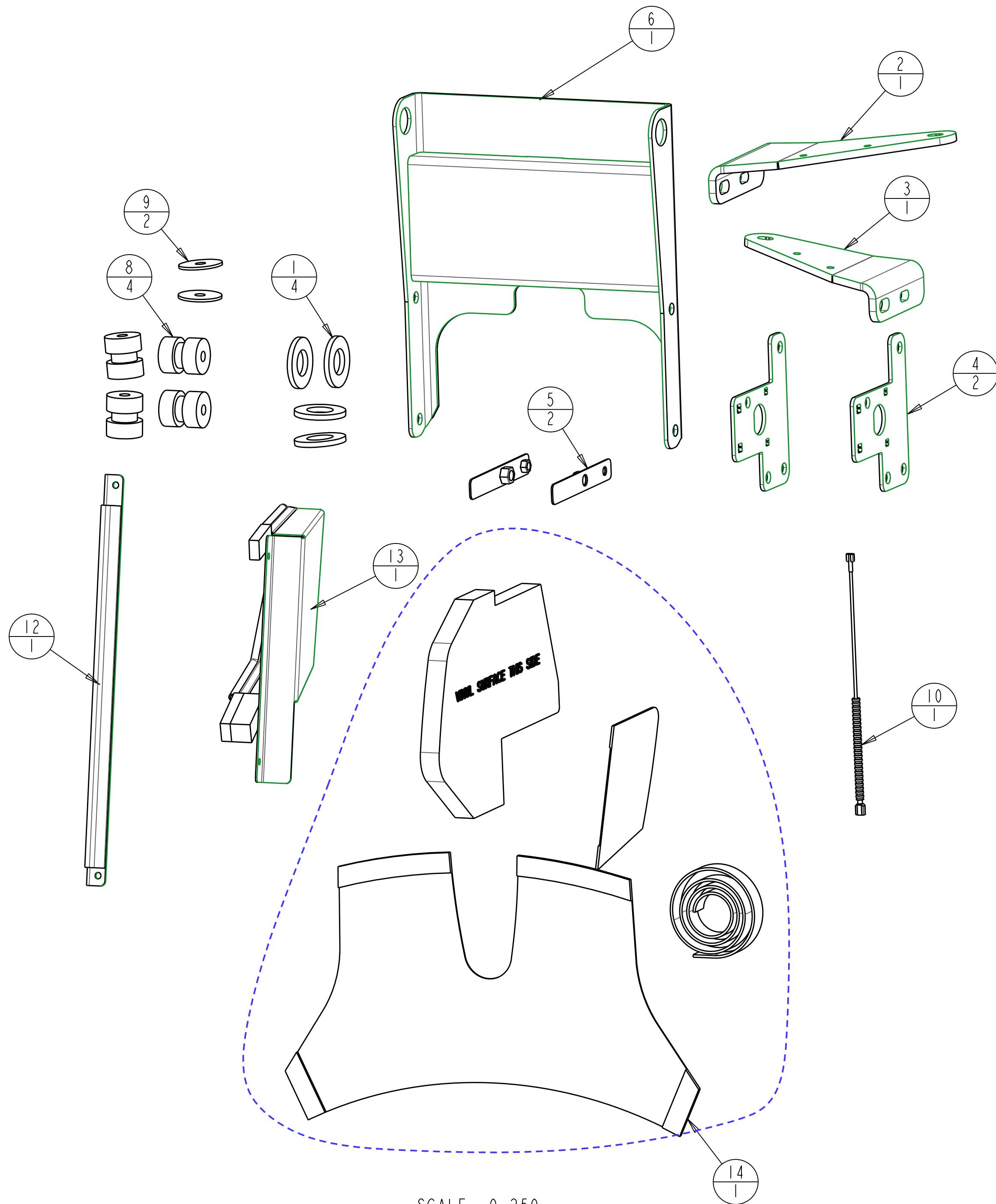
CUSTOMER NAME & MOD NO.: JDX MY14 A-12098 MATL SPEC:

CUSTOM PRODUCTS 175 SOUTH SIBLEY AVE LITCHFIELD, MN 55355

FRONT UPPER WINDOW ASM

DRAWING SIZE: D, DRAWING NO.: 4-16058, REV LEVEL: C, DATE: 09-19-13

REV.	DCR NO.	DESCRIPTION	DRAFTSMAN	DATE
A	-	RESTRUCTURED 3-20442, 4-16116 & 4-16117	CAD	11-12-13
B	-	RESTRUCTURED SEATBELTS AND DECK PLATES TO CAB ASM	CAD	12-02-13
C	11108	ADDED WIRE HARNESS JUMPER 3-19729	CAD	12-10-13
D	11116	OMITTED STEEL COWL 4-16077, OMITTED COWL RH MOUNT 4-16117, OMITTED RH SEAL-OFF BOOT 3-20442; ADDED COWL SEAL KIT 4-16152 AND POCKET ASM 4-16151	CAD	12-23-13
E	11184	ADDED BOX 3-12126	CAD	01-21-14



ITEM #	DESCRIPTION	QTY	
1	1-49216_SPACER_RING	4	
2	1-49510_MOUNT_LH_FRONT_MIR	1	
3	1-49511_MOUNT_RH_FRONT	1	
4	1-49513_REAR_MOUNT_PL_3	2	
5	2-17124_WELDMENT_INNER_KEEPER	2	
6	2-17136_REAR_MOUNT_WELDMENT	1	
E	7	3-12126_BOX_20X20X4_50	1
8	3-16635_RUBBER_MOUNT	4	
9	3-16636_SNUBBING_WASHER	2	
C	10	3-19729_WIRE_EXTENSION_36_IN	1
11	4-16063_HARDWARE_KIT	1	
12	4-16116_COWL_MOUNT_LH	1	
D	13	4-16151_COWL_POCKET_LH	1
D	14	4-16152_COWL_SEAL-OFF_KIT	1

THIS DOCUMENT CONTAINS CONFIDENTIAL INFORMATION AND IS THE PROPERTY OF CUSTOM PRODUCTS OF LITCHFIELD, INC. AND MAY NOT BE COPIED, REPRODUCED OR DISCLOSED IN ANY MANNER WITHOUT EXPRESSED WRITTEN CONSENT FROM CUSTOM PRODUCTS OF LITCHFIELD, INC.

TOLERANCES UNLESS NOTED OTHERWISE X ± .09 XX ± .06 XXX ± .03 HOLE SIZE .05/-010 ANGLE ± 5°	CUSTOMER NAME & MOD NO.: JDX MY14 A-12098	MATL SPEC:
	CUSTOM PRODUCTS 1715 SOUTH SIBLEY AVE. LITCHFIELD, MN 55355	
TITLE MOUNT KIT	DRWG SIZE C	DRWG NO. 4-16062
	DATE 09-17-13	REV LEVEL E

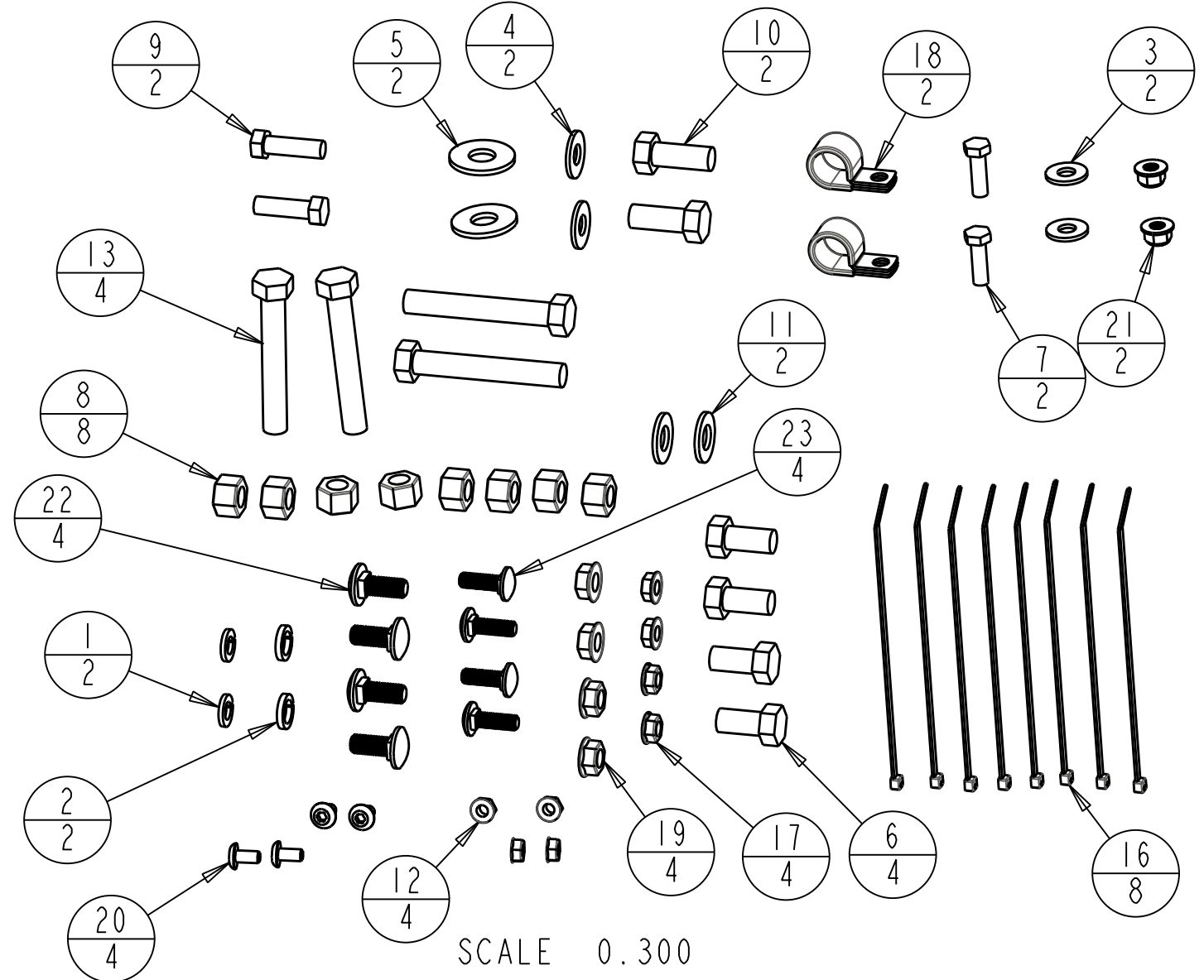
SCALE 0.250

NAME:CAD2 OBJECT:4-16063 DATE:25-Feb-14 07:37:01

ITEM #	DESCRIPTION	QTY
1	3-10078_375_LOCK_WSHR	2
2	3-10079_50_LOCK_WASHER	2
3	3-10085_3125_WASHER	2
4	3-10086_375_WASHER	2
5	3-10087_50_WASHER	2
6	3-10129_50_HHCS_X100	4
7	3-10228_313_HHCS_X100	2
8	3-10379_500_NYLOCK	8
9	3-10394_375_HHCS_X125	2
10	3-10406_50_HHCS_X125	2
11	3-12466_WASHER_50_TYPE_A_N	2
12	3-14924_25_NUT_HEX_FLNG	4
13	3-15057_50_HHCS_325	4
14	3-15745_BUTYL_TAPE_1_FT	1
15	3-16265_ZIPLOCK_BAG_10X12	SEE BOM
16	3-16629_CABLE_TIE_STD_FLAT	8
17	3-16836_M8_FLGNUT_HEX_SRTD	4
18	3-18388_CLAMP_750	2
19	3-19053_M10_SERFLG_NUT	4
20	3-19333_MSCR_250X500_TRUSS_TORX	4
21	3-20329_NUT_NYLOC_FLNG_312	2
22	3-20364_BOLT_CARR_M10X25_GR_8_8	4
23	3-20365_BOLT_CARR_M8X25_GR_8_8	4
24	05-11539_MOUNT_INSTR	1

C
D
E
C

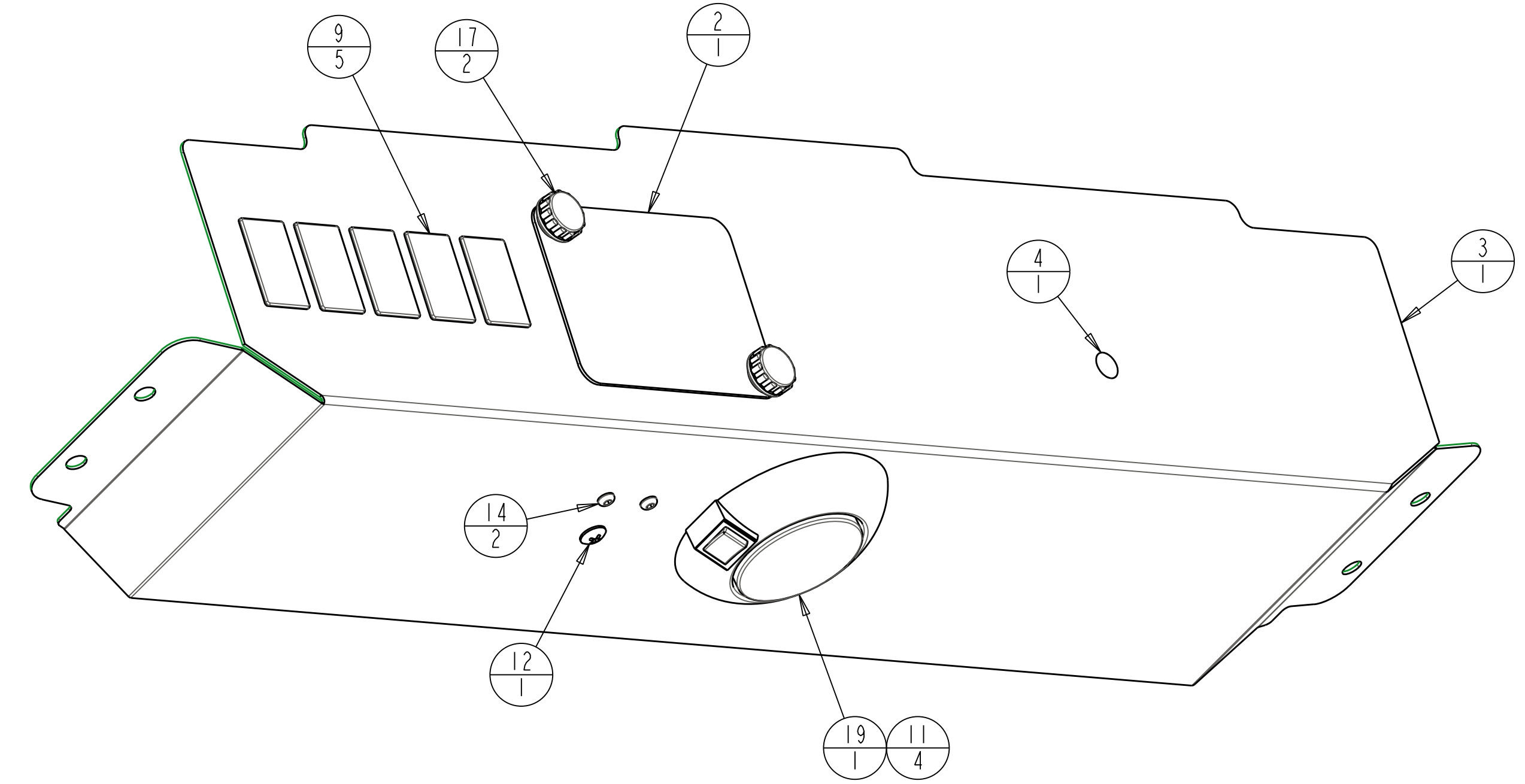
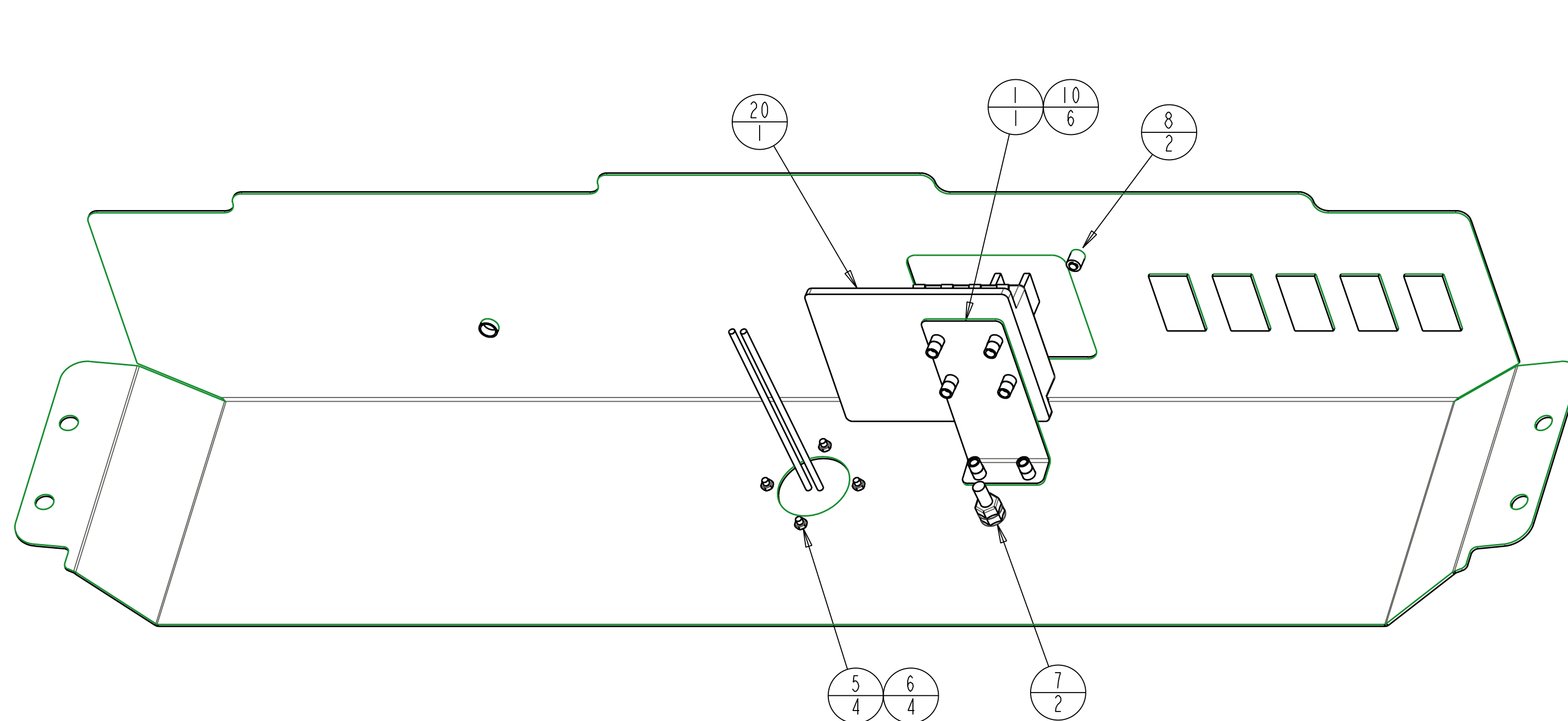
REV.	DCR NO.	DESCRIPTION	DRAFTSMAN	DATE
A	-	MOVED DECK HARDWARE TO CAB ASM	CAD	12-02-13
B	-	ADDED ITEMS 3, 7, 15, 17 & 20	CAD	12-04-13
C	11116	QTY OF ITEMS 12 & 19 WAS 8	CAD	12-23-13
D	11195	OMITTED BUTYL TAPE 3-15745	CAD	02-03-14
E	11235	ADDED BUTYL TAPE 3-15745; 1 FT	CAD	02-25-14



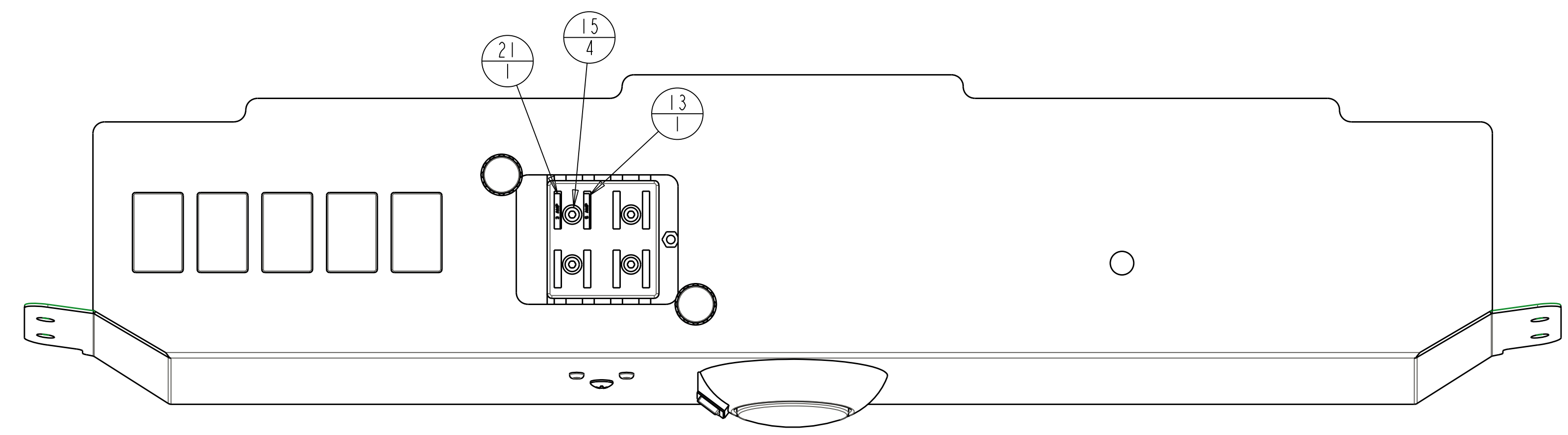
THIS DOCUMENT CONTAINS CONFIDENTIAL INFORMATION AND IS THE PROPERTY OF CUSTOM PRODUCTS OF LITCHFIELD, INC. AND MAY NOT BE COPIED, REPRODUCED OR DISCLOSED IN ANY MANNER WITHOUT EXPRESSED WRITTEN CONSENT FROM CUSTOM PRODUCTS OF LITCHFIELD, INC.

TOLERANCES UNLESS NOTED OTHERWISE .X ± .09 .XX ± .06 .XXX ± .03 HOLE SIZE +.05/-.010 ANGLE ± 5°	CUSTOMER NAME & MOD NO.: JDX MY14		MATL SPEC:	
	CUSTOM PRODUCTS 1715 SOUTH SIBLEY AVE. LITCHFIELD, MN 55355			
TITLE: HARDWARE KIT		DRWG SIZE: B	DRWG NO.: 4-16063	REV LEVEL: E
DRAWN: CAD		DATE: 09-17-13		

REV.	DCR NO.	DESCRIPTION	DRAFTSMAN	DATE
A	11184	ADDED ITEMS 13, 15 & 21	CAD	01-21-14



SCALE 0.500



FUSE COVER PANEL NOT SHOWN
SCALE 0.500

ITEM #	DESCRIPTION	QTY
1	1-49206_FB_MOUNT_PL	1
2	1-49207_FUSE_COVER_PANEL_JDXSS	1
3	1-49512_SWITCH_PANEL_JDX14	1
4	3-10721_38_HOLE_PLUG	1
5	3-12637_NUT_NO6	4
6	3-12638_NO_6_LOCK_WASHER	4
7	3-14924_25_NUT_HEX_FLNG	2
8	3-16600_NUT-SERT_10-24	2
9	3-16677_PLUG_SWITCH	5
10	3-16825_NUT_SERT_8-32	6
11	3-17328_MSCR_6X500_FHPHIL	4
12	3-17386_MSCR_25_X_100PHPHIL	1
13	3-18672_FUSE_5_AMP	1
14	3-18807_MSCR_BH_SOC_8-32_X_50	2
15	3-18808_MSCR_BH_SOC_8-32_X_1_00	4
16	3-19523_MAIN_HARN_W_MAN_RESET	1
17	3-19588_KNOB_10-24NC_X_1_STUD	2
18	3-19635_HEADLINER_WIRE_HARNESS	1
19	3-20059_DOME_LIGHT_LED	1
20	3-20218_FUSE_HOLDER_8_W_GRND	1
21	3-20338_FUSE_3_AMP	1

KIT ID	DESCRIPTION	AMP DRAW	FUSE AT
A-12090	FRONT WORK LIGHT, (2) LED 12 VDC	1.6	5
A-12091	REAR WORK LIGHT, (1) LED 12VDC	0.8	2
A-12093	HEATER KIT, 12 VDC WITH FITTINGS FOR GAS ENGINES	7	10
A-12096	REAR WIPER KIT, 12 VDC	3.3	5
A-12098	CAB, FRONT WIPER, 12VDC	3.3	5
A-12098	CAB, DOME LIGHT LED	0.8	3
A-12004	RECIRCULATION FAN KIT, 12 VDC	3.3	5

- ELECTRICAL NOTES:**
1. ROUTE HEADLINER WIRES OF MAIN WIRE HARNESS 3-19523 UP INSIDE OF LH FRONT TUBE TO FUSE BLOCK LOCATION
 2. SECURE REMAINING SECTION OF MAIN WIRE HARNESS TO LH FRONT TUBE FOR SHIPPING
 3. REFER TO SHEET FOR WIRE HARNESS DETAILS

THIS DOCUMENT CONTAINS CONFIDENTIAL INFORMATION AND IS THE PROPERTY OF CUSTOM PRODUCTS OF LITCHFIELD, INC. AND MAY NOT BE COPIED, REPRODUCED OR DISCLOSED IN ANY MANNER WITHOUT EXPRESSED WRITTEN CONSENT FROM CUSTOM PRODUCTS OF LITCHFIELD, INC.

TOLERANCES UNLESS NOTED OTHERWISE

CUSTOMER NAME & MOD NO.: JDX MY14 A-12098

CUSTOM PRODUCTS 1715 SOUTH SIBLEY AVE LITCHFIELD, MN 55355

DATE: 09-19-13

REV LEVEL: A

ITEM: OVER HEAD SWITCH PANEL

DRWG NO: 4-16061

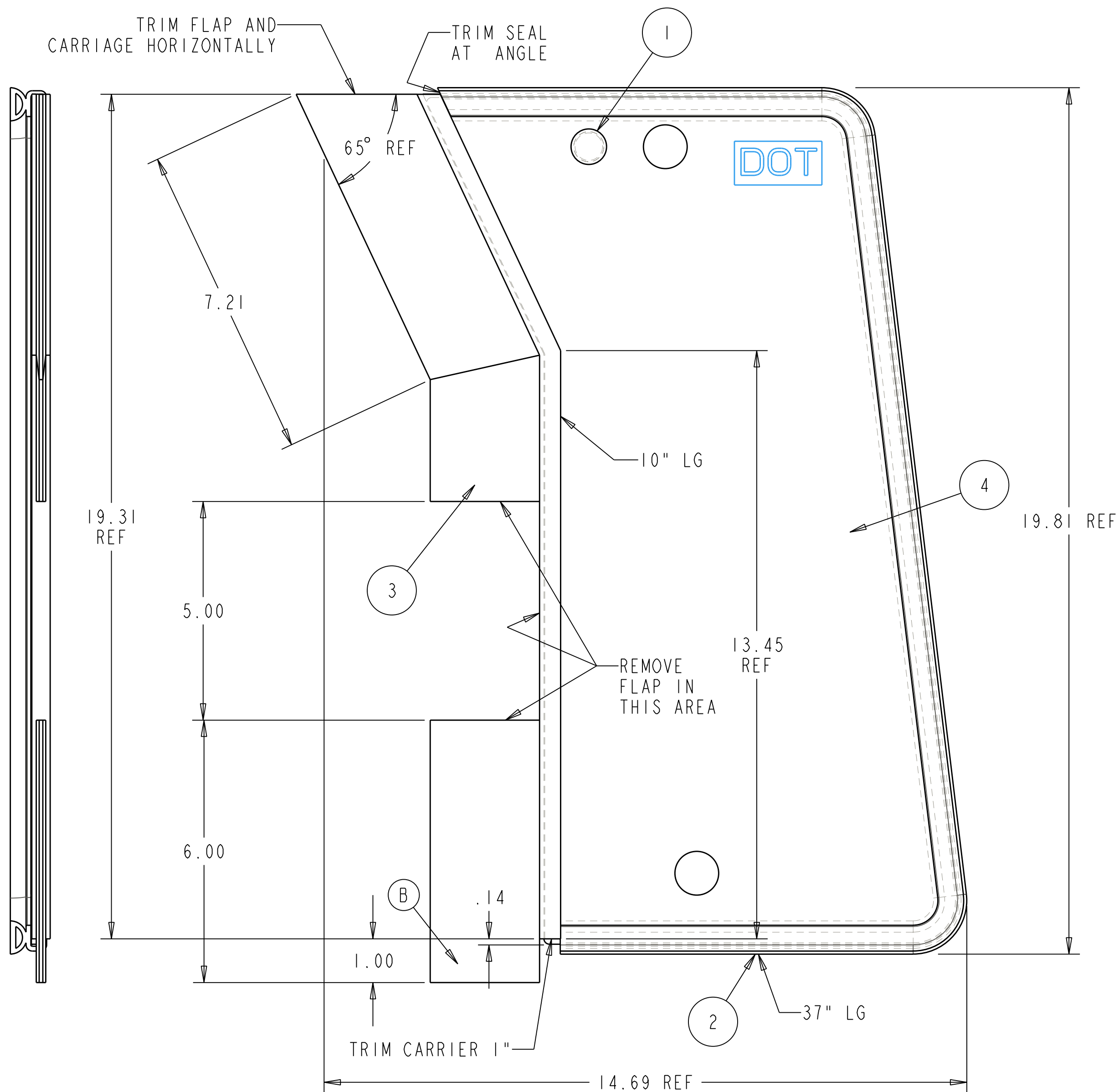
REV LEVEL: 1 of 1

SCALE: D

DATE: 09-19-13

NAME: CAD2 OBJECT: 4-16061 DATE: 03-Feb-14 11:24:31

REV.	DCR NO.	DESCRIPTION	DRAFTSMAN	DATE
A	11116	CHANGED FLAP DESIGN	CAD	12-18-13
B	11220	ADDED 1" FLAP TO BOTTOM OF 3-20335	CAD	02-17-14



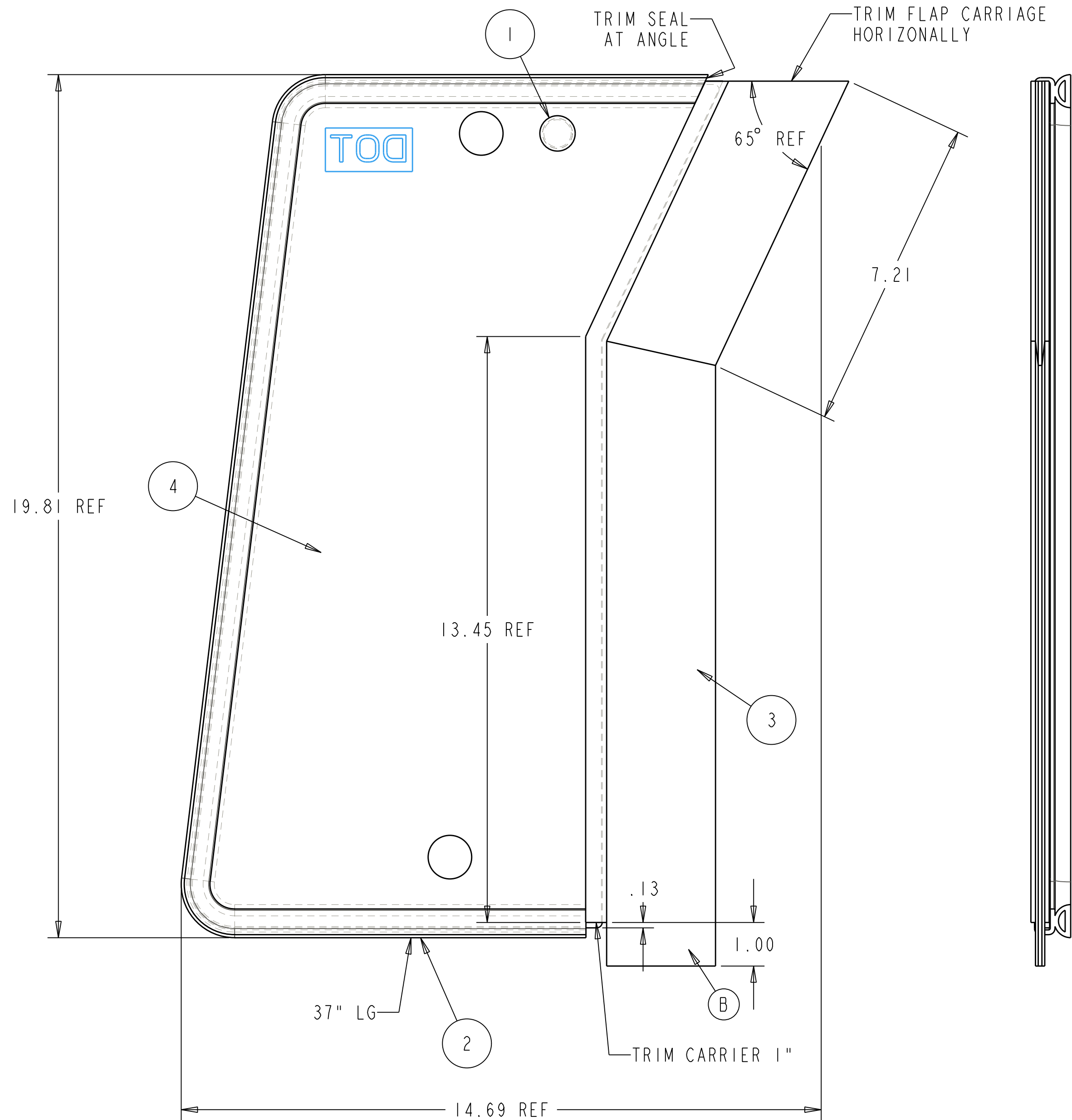
SCALE 0.500

ITEM #	DESCRIPTION	QTY
1	3-15234_69_HOLE_PLUG	1
2	3-19324_BUB_RUB_37_LG	1
3	3-20335_FLAP_SEAL_21_66_LG	1
4	3-20376_FRONT_LO_WINDOW	1

THIS DOCUMENT CONTAINS CONFIDENTIAL INFORMATION AND IS THE PROPERTY OF CUSTOM PRODUCTS OF LITCHFIELD, INC. AND MAY NOT BE COPIED, REPRODUCED OR DISCLOSED IN ANY MANNER WITHOUT EXPRESSED WRITTEN CONSENT FROM CUSTOM PRODUCTS OF LITCHFIELD, INC.

TOLERANCES UNLESS NOTED OTHERWISE X ± .09 XX ± .06 XXX ± .03 HOLE SIZE .05/-010 ANGLE ± 5°	CUSTOMER NAME & MOD NO.: JDX MY14		MATERIAL SPEC:	
	CUSTOM PRODUCTS 1715 SOUTH SIBLEY AVE. LITCHFIELD, MN 55355		DRAWING SIZE C	DRAWING NO. 4-16065
TITLE FRONT LO WINDOW ASM LH			DRAWN: CAD	DATE: 09-19-13
		REV LEVEL B		

REV.	DCR NO.	DESCRIPTION	DRAFTSMAN	DATE
A	11116	CHANGE FLAP DESIGN	CAD	12-18-13
B	11220	ADDED 1" FLAP TO BOTTOM OF 3-20335	CAD	02-17-14



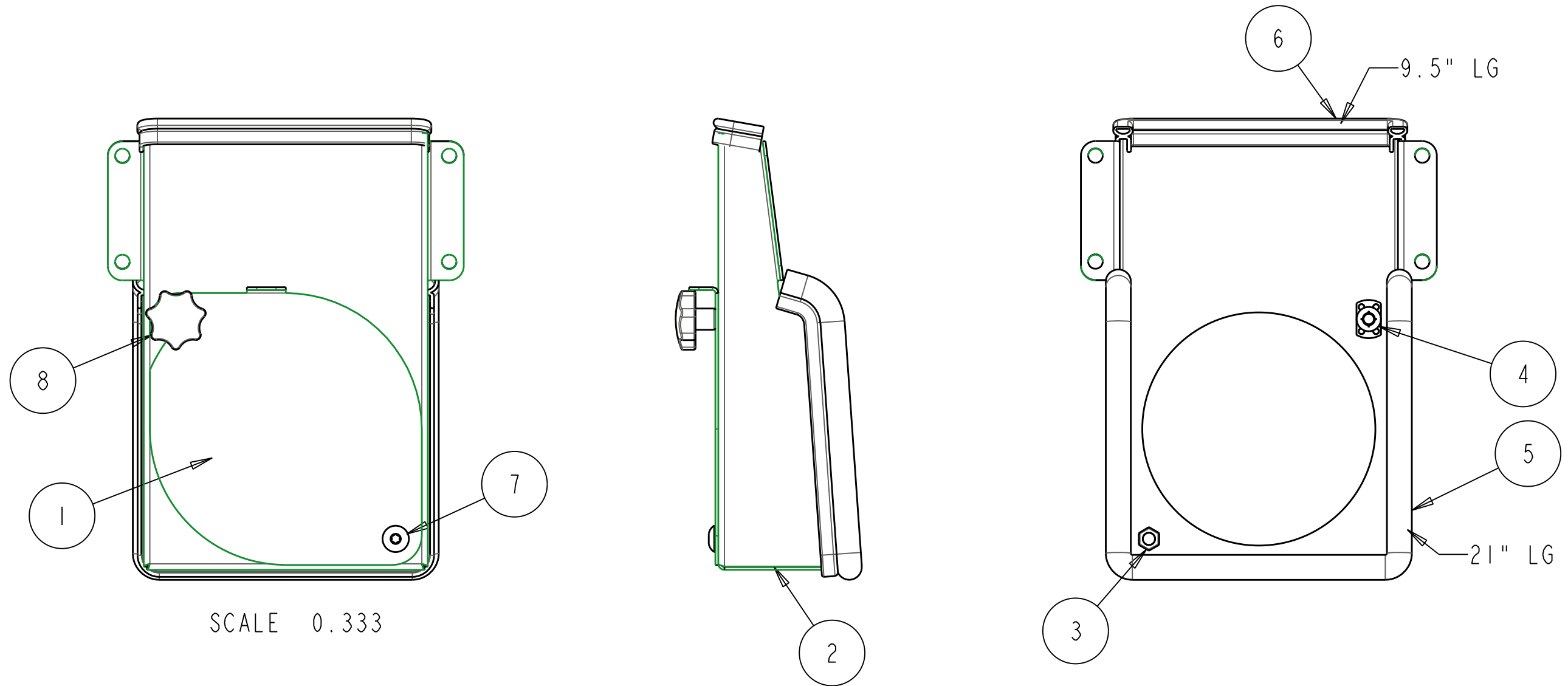
ITEM #	DESCRIPTION	QTY
1	3-15234_69_HOLE_PLUG	1
2	3-19324_BUB_RUB_37_LG_MIR	1
3	3-20335_FLAP_SEAL_21_66_LG_MIR	1
4	3-20376_FRONT_LO_WINDOW_MIR	1

THIS DOCUMENT CONTAINS CONFIDENTIAL INFORMATION AND IS THE PROPERTY OF CUSTOM PRODUCTS OF LITCHFIELD, INC. AND MAY NOT BE COPIED, REPRODUCED OR DISCLOSED IN ANY MANNER WITHOUT EXPRESSED WRITTEN CONSENT FROM CUSTOM PRODUCTS OF LITCHFIELD, INC.

TOLERANCES UNLESS NOTED OTHERWISE .X ± .09 .XX ± .06 .XXX ± .03 HOLE SIZE .05/-010 ANGLE ± 5°	CUSTOMER NAME & MOD NO.: JDX MY14		MATERIAL SPEC:	
	CUSTOM PRODUCTS 1715 SOUTH SIBLEY AVE. LITCHFIELD, MN 55355		DRAWING SIZE C	DRAWING NO. 4-16066
TITLE FRONT LO WINDOW ASM RH			DRAWN: CAD	DATE: 09-19-13
			REV LEVEL B	

NAME:CAD2 OBJECT:4-16067 DATE:16-Oct-13 13:28:52

REV.	DCR NO.	DESCRIPTION	DRAFTSMAN	DATE
				10-16-13



SCALE 0.333

ITEM #	DESCRIPTION	QTY
1	1-49546_FUEL_COVER_PANEL	1
2	2-17153_FUEL_ACCESS_HOUSING	1
3	3-10072_3125_NYLOCK	1
4	3-17731_NUT_PUSH-ON_312	1
5	3-18110_BUB_RUB_21_LG	1
6	3-18110_BUB_RUB_9_5_LG	1
7	3-19338_MSCR_313X50_TRUSS_TORX	1
8	3-20380_KNOB_M8STUDX125X20LG	1

THIS DOCUMENT CONTAINS CONFIDENTIAL INFORMATION AND IS THE PROPERTY OF CUSTOM PRODUCTS OF LITCHFIELD, INC. AND MAY NOT BE COPIED, REPRODUCED OR DISCLOSED IN ANY MANNER WITHOUT EXPRESSED WRITTEN CONSENT FROM CUSTOM PRODUCTS OF LITCHFIELD, INC.

TOLERANCES UNLESS NOTED OTHERWISE	CUSTOMER NAME & MOD NO:	JDX MY14	MATL SPEC:		SEE BOM
	CUSTOM PRODUCTS 1715 SOUTH SIBLEY AVE. LITCHFIELD, MN 55355				
X ± .09 .XX ± .06 .XXX ± .03 HOLE SIZE ±.015/.010 ANGLE ± .5°	TITLE	FUEL COVER ASSEMBLY	DRWG SIZE	DRWG NO.	REV LEVEL
			B	4-16067	-
DRAWN: CAD			DATE: 09-18-13		

3-19523

CUSTOM PRODUCTS REV D REV DATE 9/19/13

BOARD 1 OF 1

CHANGES	REV	DATE	BY
-	9/12/10	SM	

CUSTOMER ENGINEERING CHANGE LOG

DATE	REV	DESCRIPTION	NAME
8/24/10	A	ADDED LABELS	SM
8/28/10	B	CORRECTED TERMINAL AT #3	SM
7/22/13	C	ADD SHRINK ON BREAKOUT # 2 FROM CIRCUIT BREAKER TO RING	SM
9/19/13	D	CHANGE TO RED SHRINK AT BREAKOUT #2	SM
-	-	-	SM

- 1 Term C240-48RT 19 120A ODL BLK 10.25
- 2 Term C240-48RT 19 120A ODL ODL 9.25
- 3 Term 3102 3 140A ODL ODL 38.50
- 4 Term 1206-4666 15 120A ODL ODL 158.25
- 5 Term C240-14RT 19 120A ODL BLK 102.25

1 LCP1 250GA LCP BLK 8.00

FISHHOLDER 4001
CIRCUIT BREAKER 4078B

1/2" X 3.5" RED VERSA SHRINK
INSTALL OVER LOOM

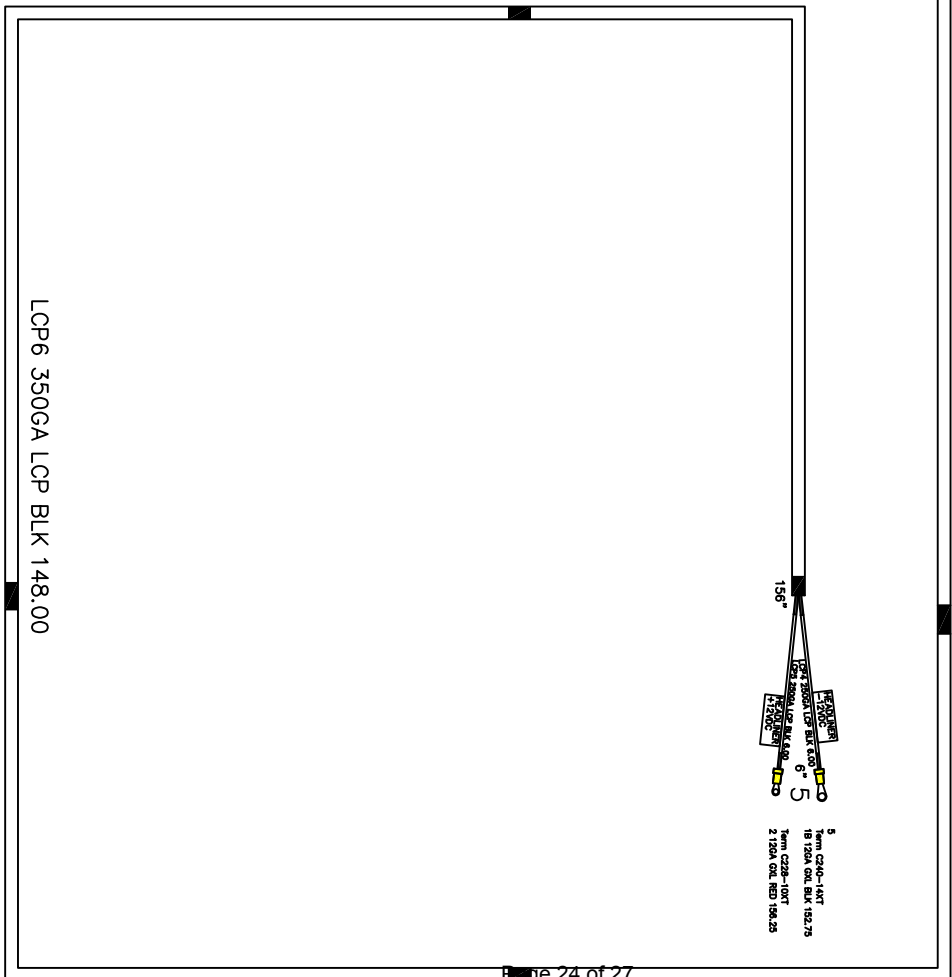
1/2" X 3.5" RED VERSA SHRINK
INSTALL OVER LOOM

LCP3 250GA LCP BLK 34.00

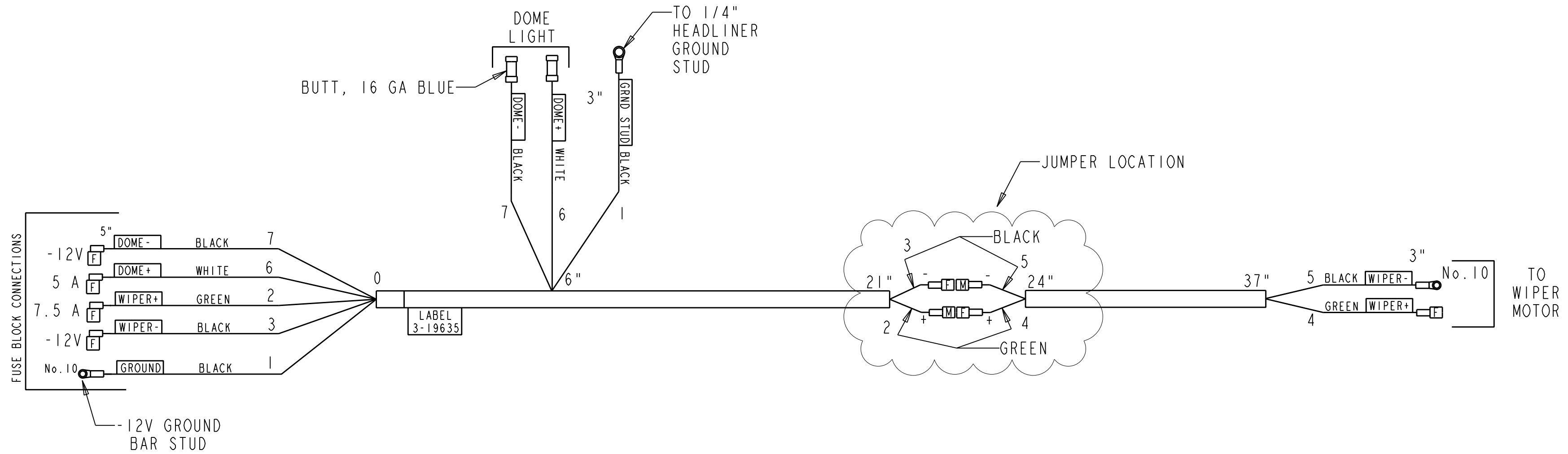
LCP6 350GA LCP BLK 148.00

LCP6 350GA LCP BLK 148.00

PUT THE YAP 3102 INTO BAG
BE SURE TO



REV.	DCR NO.	DESCRIPTION	DRAFTSMAN	DATE
A	-	REDESIGNED PART	CAD	12-09-11



WIRE No.	USED FOR	WIRE SPEC	COLOR	LENGTH	TERMINAL END 1	TERMINAL END 2
1	FUSE BLOCK GROUND STUD TO SWITCH PANEL GROUND STUD	16 GA GXL	BLACK	14.00"	No. 10 RING	1/4" RING
2	WIPER +12V (FUSE TO JUMPER LOCATION)	16 GA GXL	GREEN	32.00"	BLADE 1/4" FEMALE 90	BLADE 1/4" MALE
3	WIPER -12V (FUSE GROUND BAR TO JUMPER LOCATION)	16 GA GXL	BLACK	32.00"	BLADE 1/4" FEMALE 90	BLADE 1/4" FEMALE
4	WIPER +12V (JUMPER LOCATION TO WIPER MOTOR)	16 GA GXL	GREEN	16.00"	BLADE 1/4" FEMALE	BLADE 1/4" FEMALE
5	WIPER -12V (JUMPER LOCATION TO WIPER MOTOR MOUNT BOLT)	16 GA GXL	BLACK	16.00"	BLADE 1/4" MALE	No. 10 RING TERMINAL
6	DOMELIGHT +12V (FUSE TO DOME LIGHT WHITE WIRE)	16 GA GXL	WHITE	14.00"	BLADE 1/4" FEMALE 90	BUTT, 16 GA BLUE
7	DOMELIGHT -12V (FUSE GROUND BAR TO DOME LIGHT BLACK WIRE)	16 GA GXL	BLACK	14.00"	BLADE 1/4" FEMALE 90	BUTT, 16 GA BLUE

- NOTES:
1. ALL WIRE TO BE 16 GA GXL
2. ALL BLADE CONNECTORS 1/4" FULLY INSULATED
3. LOOM TO BE .350" DIA

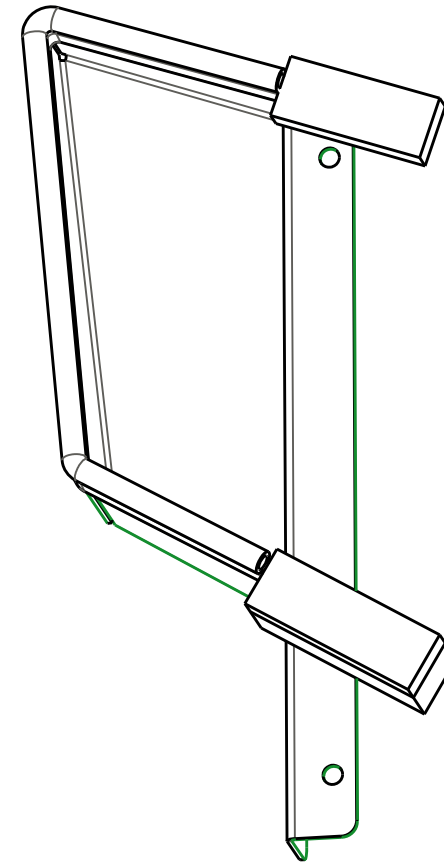
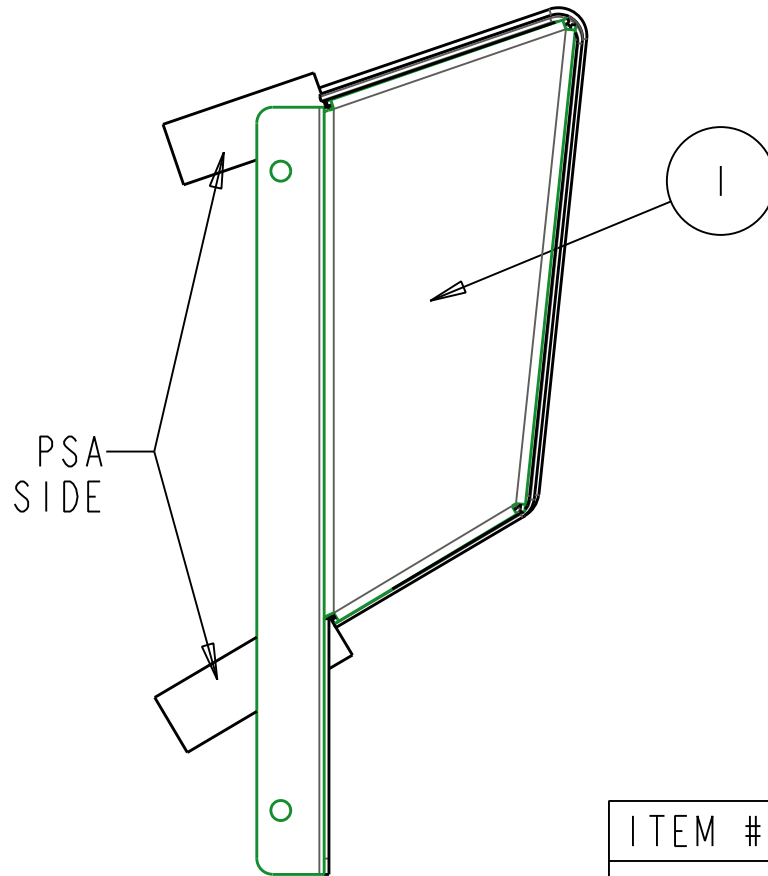
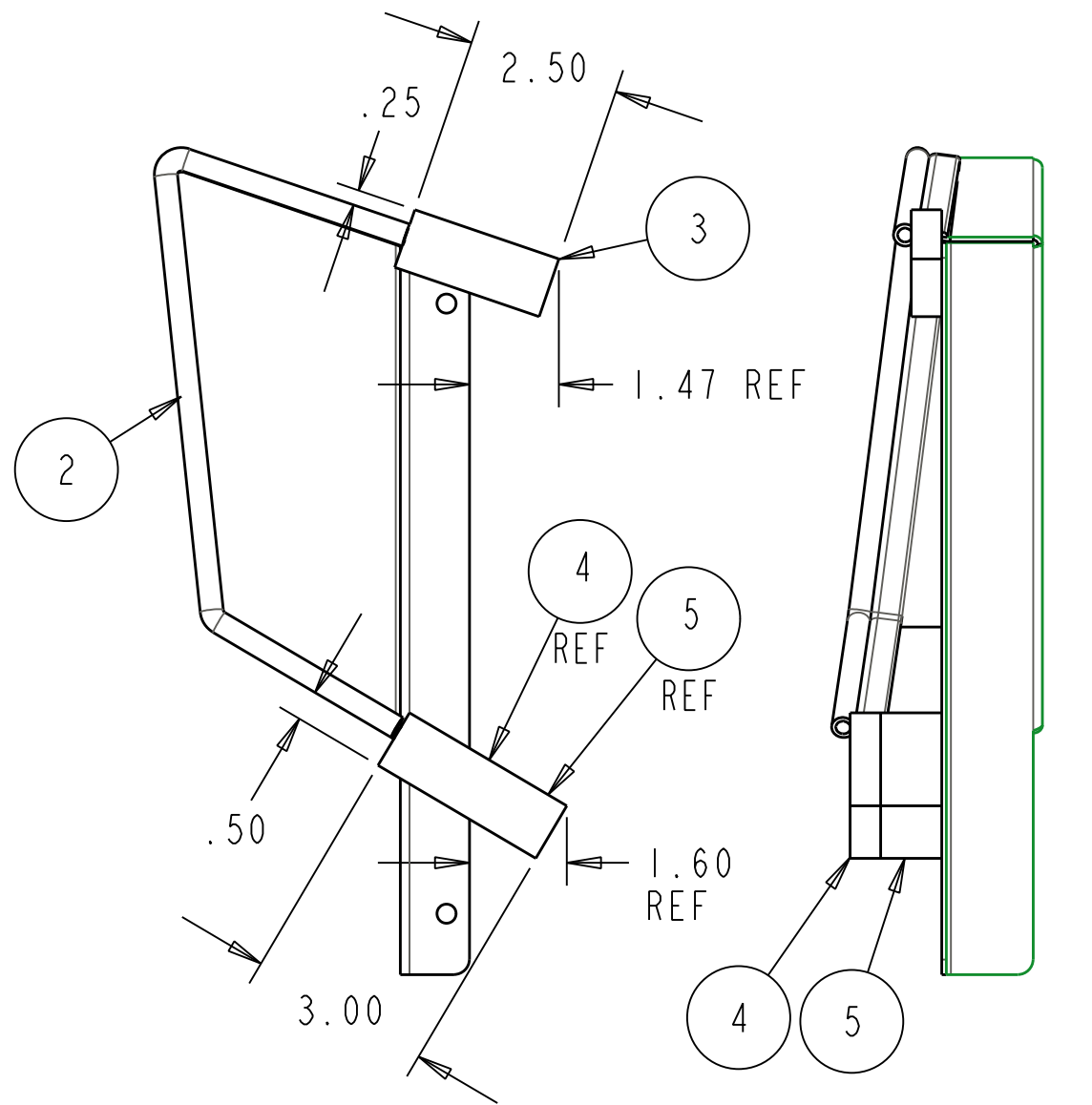
THIS DOCUMENT CONTAINS CONFIDENTIAL INFORMATION AND IS THE PROPERTY OF CUSTOM PRODUCTS OF LITCHFIELD, INC. AND MAY NOT BE COPIED, REPRODUCED OR DISCLOSED IN ANY MANNER WITHOUT EXPRESSED WRITTEN CONSENT FROM CUSTOM PRODUCTS OF LITCHFIELD, INC.

TOLERANCES UNLESS NOTED OTHERWISE X ± .09 .XX ± .06 .XXX ± .03 HOLE SIZE 1:05/-.010 ANGLE ± 5°	CUSTOMER NAME & MOD NO: JOHN DEERE	MATERIAL SPEC:	
	CUSTOM PRODUCTS 1715 SOUTH SIBLEY AVE LITCHFIELD, MN 55355		
TITLE WIRE HARNESS HEADLINER	DRWG SIZE C	DRWG NO. 3-19635	REV LEVEL A
DRAWN: CAD	DATE	12-02-11	

NAME:CAD2 OBJECT:3-19635 DATE:09-Dec-11 14:14:18

NAME:CAD2 OBJECT:4-16151 DATE:30-Dec-13 12:02:28

REV.	DCR NO.	DESCRIPTION	DRAFTSMAN	DATE
------	---------	-------------	-----------	------



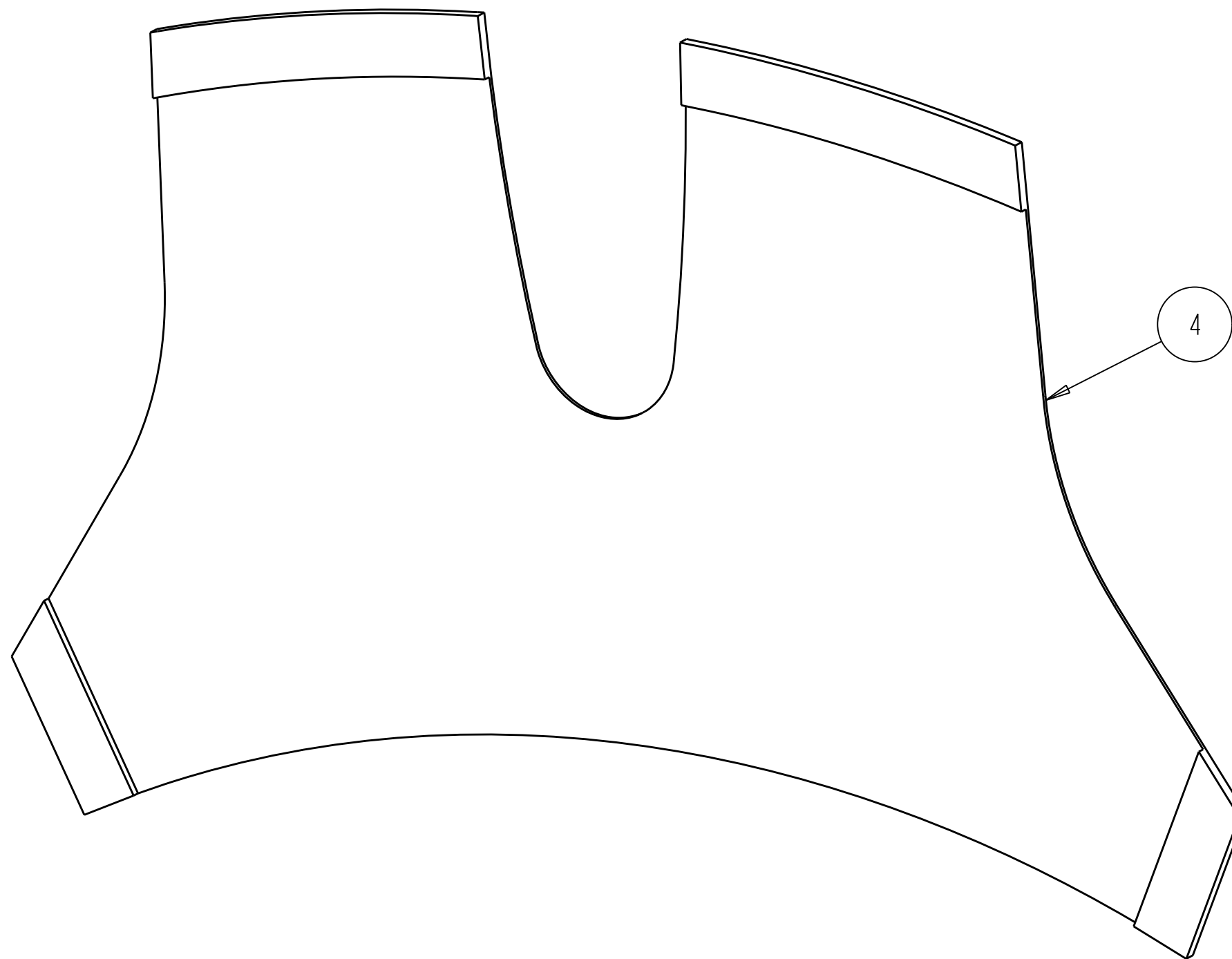
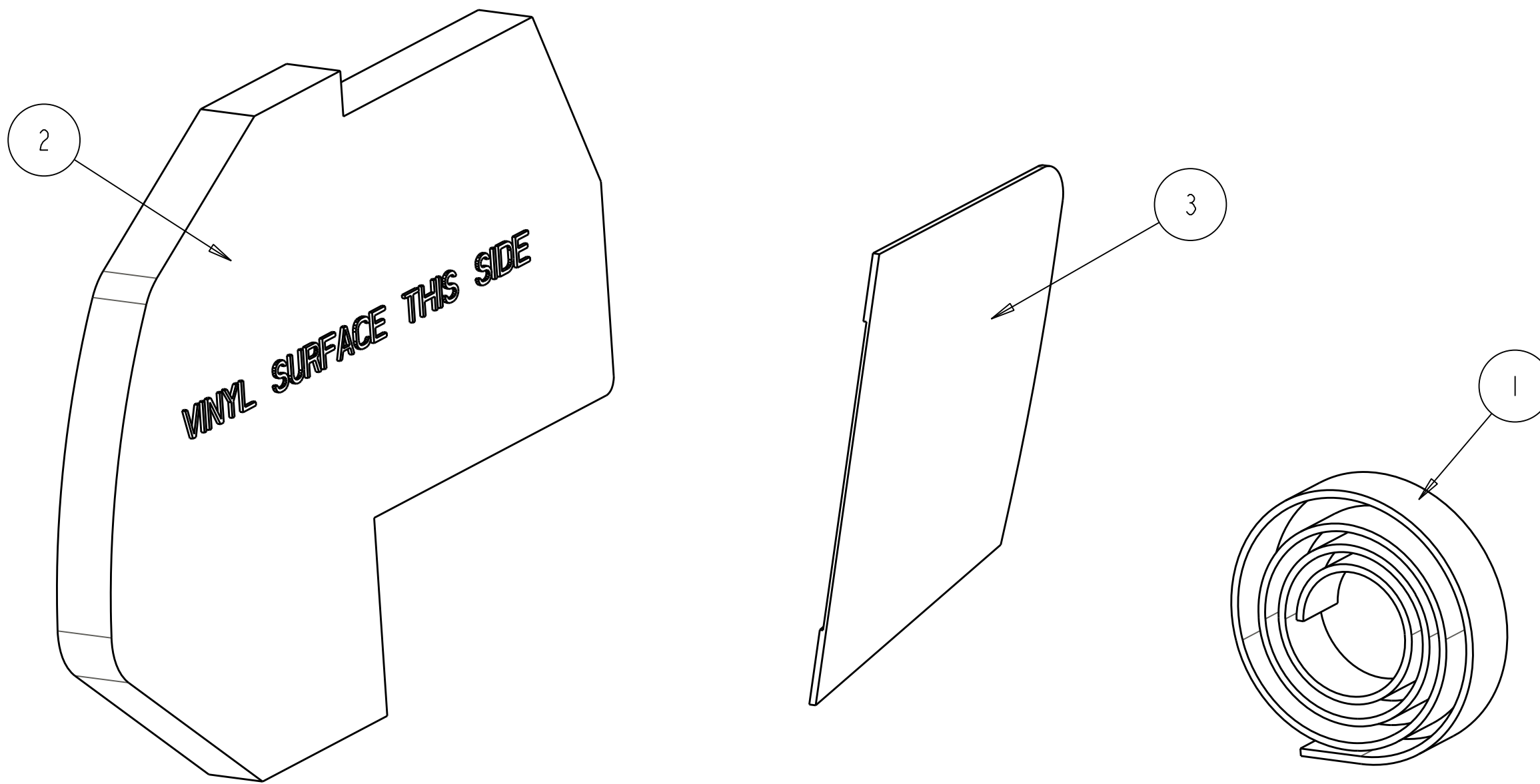
SCALE 0.333

ITEM #	DESCRIPTION	QTY
1	1-49761_COWL_INTAKE	1
2	3-15068_BUB_RUB_15_50_LG	1
3	3-18168_FOAM_SEAL_50X1X2_5_LG	1
4	3-18168_FOAM_SEAL_50X1X3LG	1
5	3-18805_FOAM_SEAL_1X1X3LG	1

THIS DOCUMENT CONTAINS CONFIDENTIAL INFORMATION AND IS THE PROPERTY OF CUSTOM PRODUCTS OF LITCHFIELD, INC. AND MAY NOT BE COPIED, REPRODUCED OR DISCLOSED IN ANY MANNER WITHOUT EXPRESSED WRITTEN CONSENT FROM CUSTOM PRODUCTS OF LITCHFIELD, INC.

TOLERANCES UNLESS NOTED OTHERWISE .X ± .09 .XX ± .06 .XXX ± .03 HOLE SIZE +.05/-.010 ANGLE ± .5°	CUSTOMER NAME & MOD NO.: JDX MY14		MATL SPEC:	
	CUSTOM PRODUCTS 1715 SOUTH SIBLEY AVE. LITCHFIELD, MN 55355			
TITLE: COWL POCKET INTAKE		DRWG SIZE: B	DRWG NO.: 4-16151	REV LEVEL: -
		DRAWN: CAD	DATE: 12-18-13	

REV.	DCR NO.	DESCRIPTION	DRAFTSMAN	DATE
				12-23-13



ITEM #	DESCRIPTION	QTY
1	3-14333_VELCRO_LOOP_48_LG	1
2	3-20507_SEAL_COVER_RH	1
3	3-20508_SEAL_COVER_LH	1
4	3-20509_SEAL_COVER_MID_COWL	1

REPLACEMENT P/N 8-16152

SCALE 0.500

THIS DOCUMENT CONTAINS CONFIDENTIAL INFORMATION AND IS THE PROPERTY OF CUSTOM PRODUCTS OF LITCHFIELD, INC. AND MAY NOT BE COPIED, REPRODUCED OR DISCLOSED IN ANY MANNER WITHOUT EXPRESSED WRITTEN CONSENT FROM CUSTOM PRODUCTS OF LITCHFIELD, INC.

TOLERANCES UNLESS NOTED OTHERWISE .X ± .09 .XX ± .06 .XXX ± .03 HOLE SIZE .05/-010 ANGLE ± 5°	CUSTOMER NAME & MOD NO.: JDX MY14		MATL SPEC: SEE BOM	
	CUSTOM PRODUCTS 1715 SOUTH SIBLEY AVE. LITCHFIELD, MN 55355			
TITLE		DRWG SIZE	DRWG NO.	REV LEVEL
COWL SEAL-OFF KIT		C	4-16152	-
DRAWN: CAD		DATE: 12-19-13		