



# A-12095

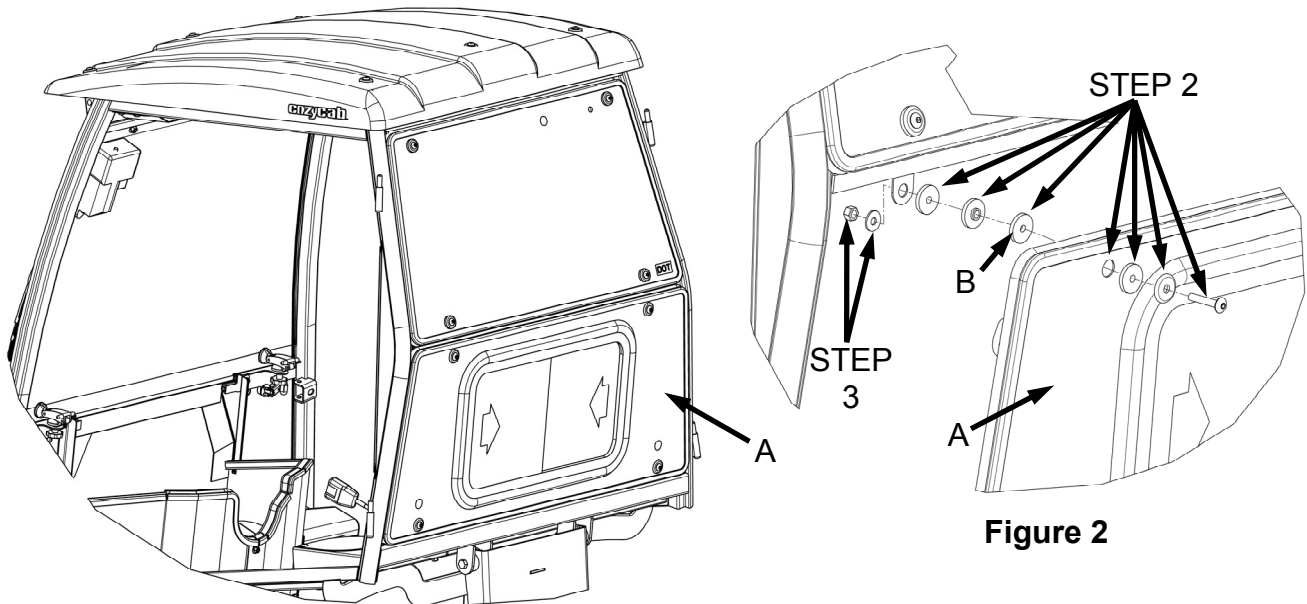
## REAR LOWER SLIDER WINDOW KIT

### FOR JDX MY14 COZY CABS A-12098

Before you begin, read these instructions and identify all components. Please retain these instructions for future reference and parts ordering information.

**Note:** Cab should be installed prior to installing kit.

Kit Components:	ITEM	QTY	PART No.	DESCRIPTION
	A	1	A-12095	REAR LOWER SLIDER WINDOW KIT
	B	4	3-15769	WASHER, RUBBER, ID .37 X OD 1.25 X .19" THK



**Figure 1**  
**(Rear Lower Slider Window)**

#### Installing rear slider window;

1. Remove factory installed lower window from back of cab.
2. Place bolt, rubber step washers and .19" thick rubber spacer washer (B) onto window frame panel (A) as shown in **Figure 2**.
3. Place window assembly into location and secure to cab by reusing flat washers and nuts from inside of cab (**Figures 1 and 2**).
4. Check window operation by opening and closing window from inside of cab.

**CUSTOM PRODUCTS** ©2014  
OF LITCHFIELD, INC.  
PO BOX 70, 1715 S. Sibley Avenue, Litchfield, MN 55355-0070  
Ph: (320) 693-3221 Fax: (320) 693-4833  
www.CPcabs.com