

MOUNTING INSTRUCTIONS



# A-12090

## FRONT LED WORK LIGHTS KIT

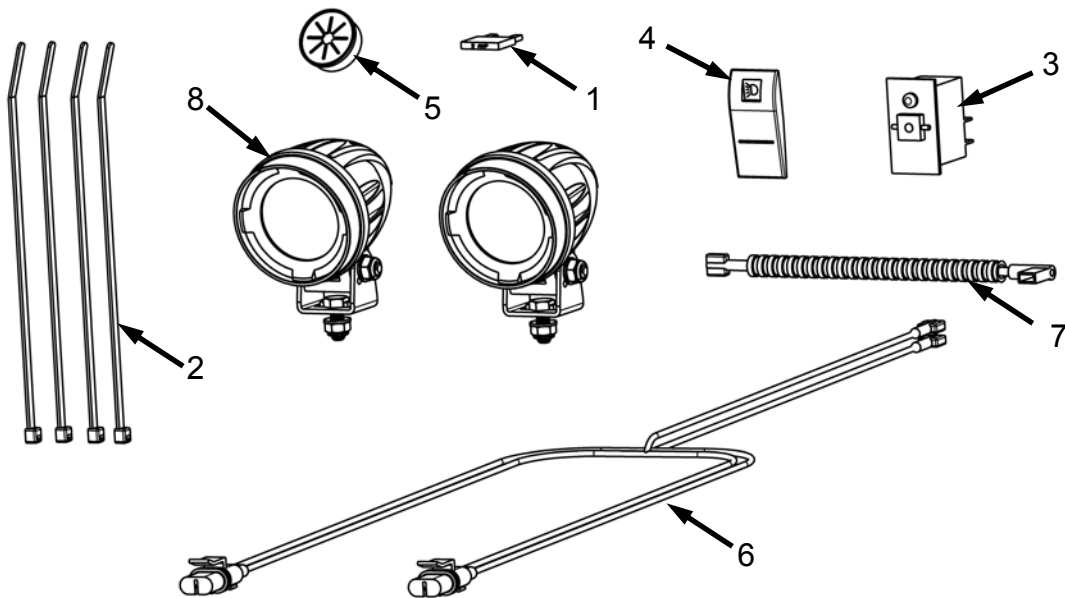
### FOR JDX MY14 COZY CABS A-12098



Before you begin, read these instructions and identify all components. Please retain these instructions for future reference and parts ordering information.

**Note:** Cab should be installed prior to installing this kit.

Kit Components:	ITEM	QTY	PART No.	DESCRIPTION
	1	1	3-18672	FUSE, 5 AMP
	2	4	3-16629	NYLON TIE, BLACK
	3	1	3-18189	ROCKER SWITCH BODY
	4	1	3-18514	ROCKER SWITCH ACTUATOR, LIGHT
	5	1	3-18552	GROMMET, UNIVERSAL 1"
	6	1	3-19322	WIRE HARNESS, FRONT LIGHTS
	7	1	3-19686	WIRE HARNESS, FUSE BLOCK TO SWITCH
	8	2	3-20245	ROUND LIGHT, LED BULLET

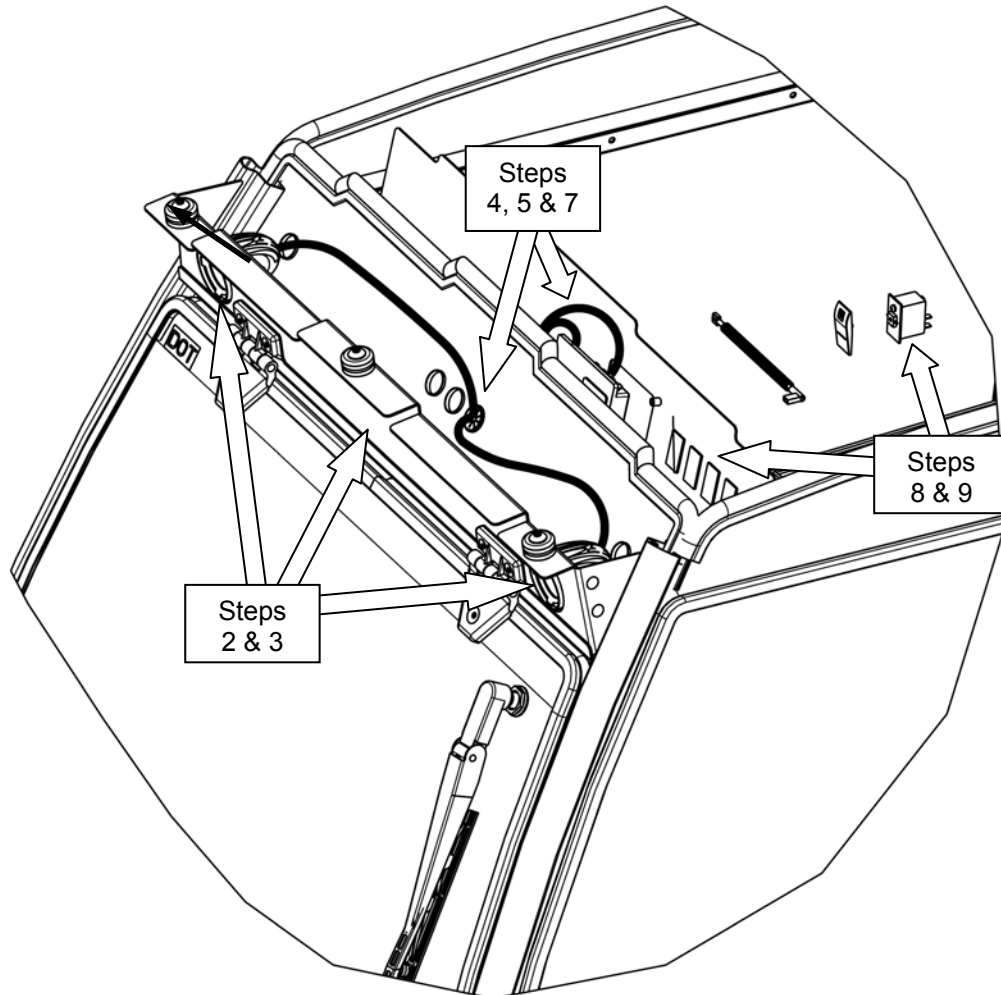


**Figure 1**  
**(Parts Identification)**

## MOUNTING INSTRUCTIONS

### INSTALLATION STEPS;

- 1) Remove roof from cab.
- 2) Remove (2) 2-1/4" hole plugs located on in the front upper cross member panel (**Figure 2**).
- 3) Top and each side of cab, secure (1) LED work light (8) to front upper cross member panel using metric hardware supplied with light (**Figure 2**).
- 4) Remove factory installed 1" hole plug located on front upper cross member panel as shown in **Figure 2**.
- 5) Install 1" universal grommet (5) into location noted in step 4.
- 6) Connect lights end of wire harness (6) to each work light (8).
- 7) Route remaining end of wire harness (6) from each work light (8) through the 1" universal grommet (5) to the switch fuse block location (**Figure 2**).

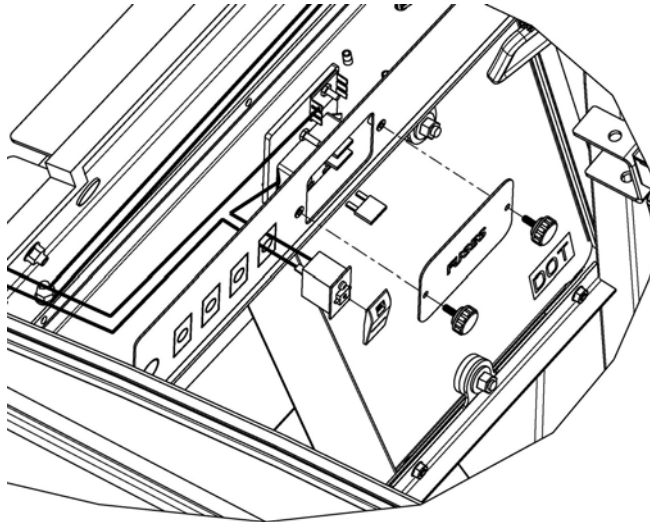


**Figure 2**

- 8) Select an empty location on switch panel to install rocker switch (3). Remove rectangular knockout (**Figure 2**).
- 9) Route switch end of wire harness through switch knockout. Connect switch end of wire harness to rocker switch terminal 3. Refer to labels on harness (6) (**Figures 3 & 4**) for correct wire connections.
- 10) Connect black wire of harness labeled -12VDC Lights to ground terminal of fuse block (**Figures 3 & 5**).
- 11) Remove fuse block access cover from switch panel and select an empty fuse terminal location (**Figure 3**).
- 12) Locate the fuse block to switch wire harness (7). Connect 90 degree end of wire harness to the empty fuse terminal location, selected in step 10 (**Figures 3 & 5**).

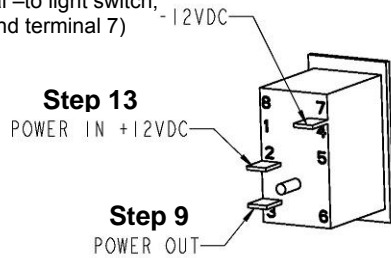
## MOUNTING INSTRUCTIONS

- 13) Connect remaining end of fuse block to switch wire harness (7) through switch knockout hole and connect to rocker switch terminal 2 (**Figures 3 & 4**).
- 14) Attach switch actuator (4) to rocker switch (3), then install switch into knockout (**Figure 3**).
- 15) Install 5 amp fuse (1) into fuse block location selected in Steps 11 & 12 (**Figures 3 & 4**).



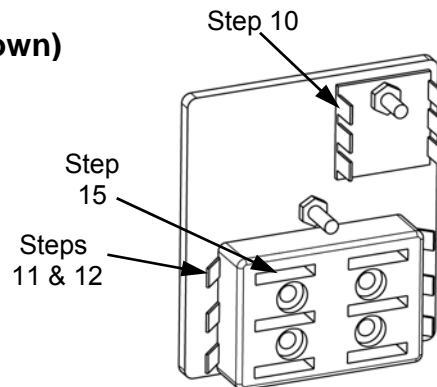
**Figure 3**  
(Roof not shown)

(Optional –to light switch, ground terminal 7)



**ROCKER SWITCH 3-18189**  
20A MAX AT 12VDC  
TYPICAL SWITCH WIRING

**Figure 4**



**Figure 5**  
(Fuse block)

**Completing installation:**

- 16) Turn tractor's ignition key to "On".
- 17) Turn lights on and off to check proper operation. Check coverage area and adjust lights if needed.
- 18) Secure wire harnesses using nylon ties (2).
- 19) Re-install roof and fuse block access cover.

KIT ID	DESCRIPTION	AMP DRAW	FUSE AT
A-12090	FRONT WORK LIGHT, (2) LED 12 VDC	1.6	5
A-12091	REAR WORK LIGHT, (1) LED 12VDC	0.8	2
A-12093	HEATER KIT, 12 VDC WITH FITTINGS FOR GAS ENGINES	7	10
A-12096	REAR WIPER KIT, 12 VDC	3.3	5
A-12098	CAB, FRONT WIPER, 12VDC	3.3	5
A-12098	CAB, DOME LIGHT LED	0.8	3
A-12004	RECIRCULATION FAN KIT, 12 VDC	3.3	5



PO BOX 70, 1715 S. Sibley Avenue, Litchfield, MN 55355-0070  
Ph: (320) 693-3221 Fax: (320) 693-4833  
www.CPcabs.com