



A-11999

REAR SLIDER WINDOW KIT

Before you begin, read these instructions and check to be sure all parts and tools are accounted for. Please retain these instructions for future reference and parts ordering information (**Figure 1**).

| Kit Components: | ITEM | QTY | DESCRIPTION | PART NO. |
|-----------------|------|-----|--------------------------|----------|
| | 1 | 1 | REAR WINDOW SLIDER | 3-19994 |
| | 2 | 1 | WINDOW RUBBER, 1/8 x 1/4 | 3-10649 |
| | 3 | 1 | WINDOW RUBBER TOOL | 3-11661 |

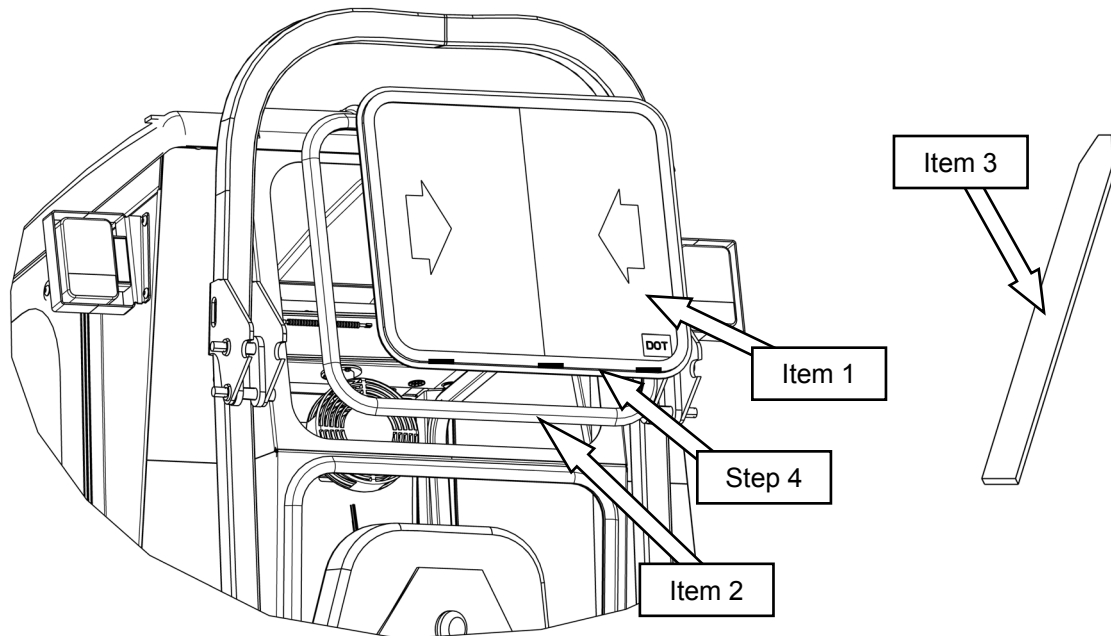


Figure 1

Rear Slider Window Installation (See Figure 1):

1. Rear roof bolts may be removed for ease of installation. Remove factory installed upper rear stationary window using a screw driver and window rubber tool (item 3).
2. Remove stationary window rubber from window opening.
3. Place new window rubber (Item 2) into window opening, from outside of cab.
4. Position drain slots on bottom side and place new slider window (Item 1) into window rubber from outside of cab.
5. Zip window rubber closed using window rubber tool.



PO BOX 70, 1715 S. Sibley Avenue, Litchfield, MN 55355-0070
Ph: (320) 693-3221 Fax: (320) 693-4833
www.CPcabs.com

05-11303
September 6, 2012