



A-12094

AMBER WARNING BEACON KIT

Note: This kit requires a minimum current draw of 1 amp at 12 VDC. Do not exceed the machine's available alternator capacity. If you do not know how much current is available, contact your dealer or manufacturer of this machine, prior to installing this kit. This kit is for use in cabs that have a factory installed overhead switch console. The cab and overhead switch console are supplied with a main feed breaker/relay wire harness and 8-slot fuse block with ground terminals.

Before you begin, read these instructions and identify all components (Figure 1). Please retain these instructions for future reference and parts ordering information.

Kit Components:	ITEM	QTY	PART No.	DESCRIPTION
	1	1	1-49802	BEACON MOUNT BRACKET
	2	1	1-49803	BEACON MOUNT PLATE
	3	3	3-10225	LOCK WASHER, No.8
	5	3	3-14155	NUT, HEX No.8
	6	1	3-15133	WIRE DUCT, .250" X 12" LONG
	8	6	3-16629	NYLON TIE, BLACK
	9	1	3-18189	ROCKER SWITCH, ON-OFF
	10	1	3-18513	ROCKER SWITCH ACTUATOR
	11	3	3-18808	MSCR, 8-32 x 1.00" LONG, BUTTON HEAD
	12	4	3-19340	MSCR, 5/16 x 3/4" LONG, TORX TRUSS HEAD
	13	1	3-19685	WIRE HARNESS, SWITCH TO BEACON
	14	1	3-19686	WIRE HARNESS, JUMPER, FB TO SWITCH
	15	3	3-19903	WASHER, FLAT, No.8
	16	6	3-20008	ROSEBUD RETAINER, 1/4"
	17	4	3-20329	NUT, NEX NYLOCK FLANGE, 5/16-18NC
	18	1	3-16582	FUSE, 2 AMP
	19	1	4-15753	BEACON ASSEMBLY WITH TERMINALS
	20	1	05-11580	MOUNTING INSTRUCTIONS

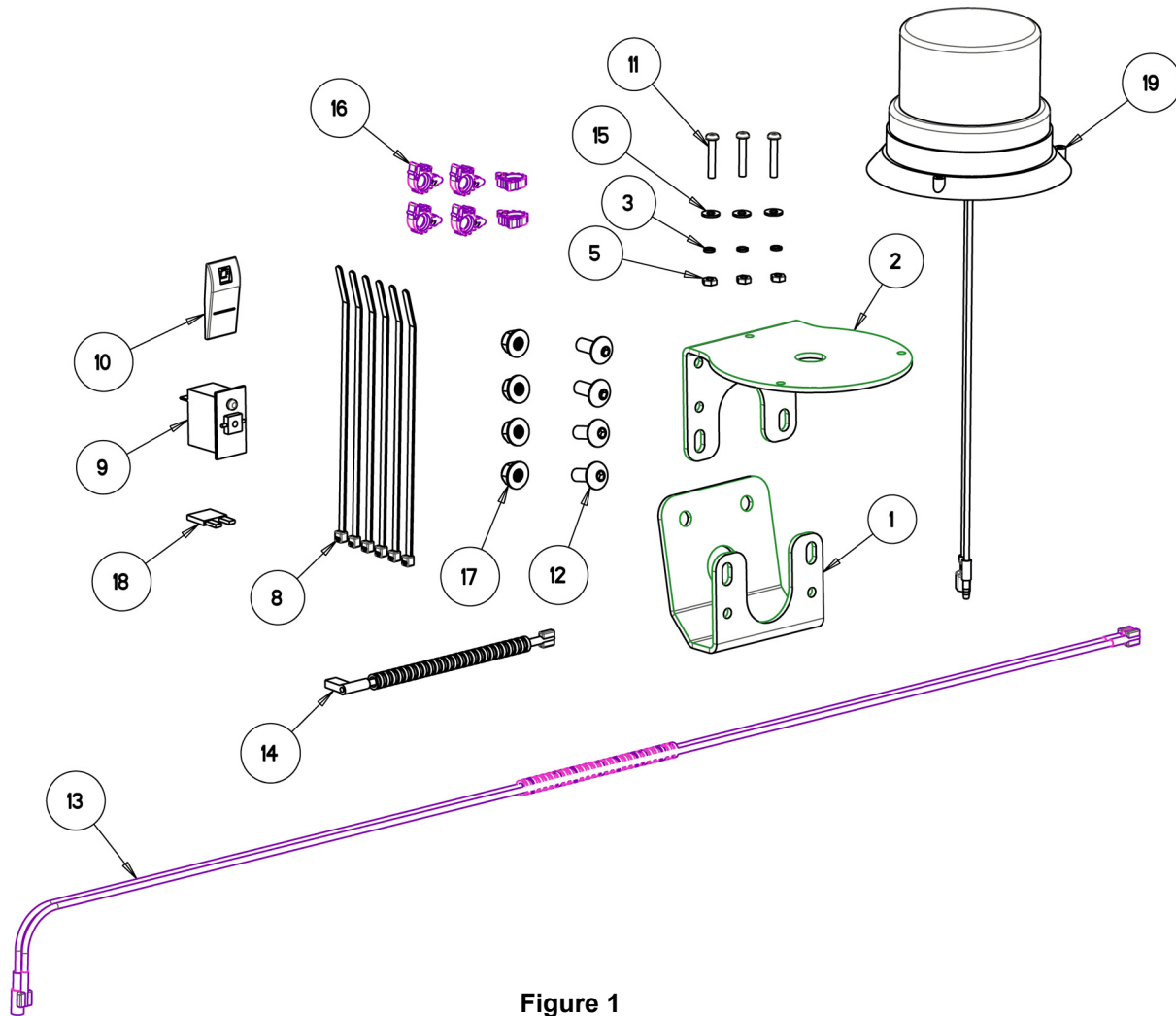


Figure 1

WARNING BEACON INSTALLATION:

1. Make sure machine's ignition key is turned off. Remove key.
2. Place strobe light (19) onto beacon mount bracket (Item 2) and route wires through center hole in bracket (**Figure 2**).
3. Secure strobe light to bracket using No. 8 x 1.00" long button head screws (11), No. 8 flat washers (15), No. 8 lock washers (3) and No.8 nylock nuts (5) (**Figure 2**).

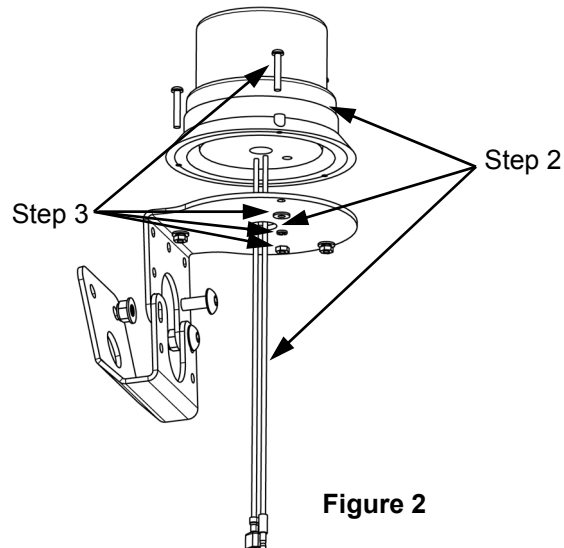


Figure 2

4. Remove the (3) rear roof bolts. Insert a block to raise the back of the roof, 2 to 3".
5. If rear work light is installed, remove bolts that secure light bracket to cab. If there is no rear work light, locate and remove the (2) 3/8" hole plugs located above the upper rear window (**Figure 3**).
6. If rear work light is to be installed or re-installed, place rear work light with beacon mount bracket (1) against the rear cross member panel first and then attach warning beacon and bracket to rear of cab. Secure using 5/16" x 3/4" long button head bolts (12) and 5/16" flange nuts (17) (**Figure 3**).

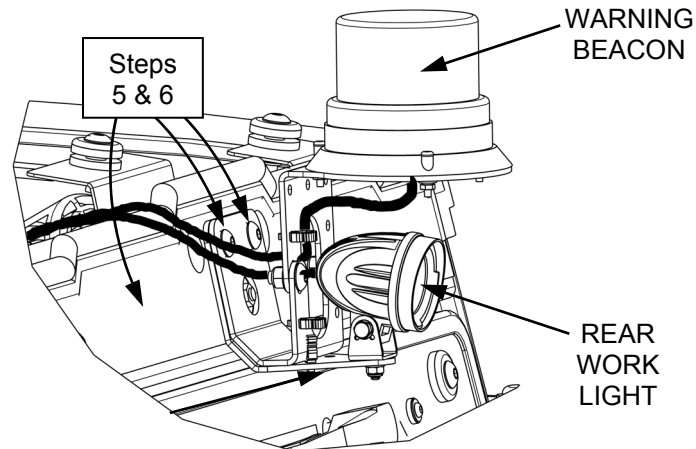


Figure 3
(Roof not shown)

7. Connect beacon wire harness (13) to warning beacon.
8. Route opposite end of beacon wire harness, from the warning beacon, between the roof and rear cross member, along either side of cab's upper frame channel, forward to the overhead switch panel location.
9. Remove bolts that secure the switch panel to the cab. Allow switch panel to tip down.
10. Select a location in switch panel for the rocker switch. Remove rectangular knockout. Important! Do not install rocker switch until step 16!
11. Route red wire of beacon wire harness, through the rocker switch hole and connect to rocker switch (9) terminal 3 (**Figures 4 & 6**).
12. Connect black wire of beacon wire harness to fuse block (-12VDC) grounding terminal (**Figure 4 & 5**).
13. Remove fuse block access cover from switch panel.
14. Locate the shorter fuse block to switch wire harness (14). Connect 90 degree connector of wire to empty fuse terminal location (**Figure 5**).
15. Route straight connector end of wire harness through switch knockout hole and connect to rocker switch (9) terminal 2 (**Figures 4 & 6**).
16. Attach switch actuator (10) to rocker switch (9) then install switch into knockout hole in switch panel (**Figure 4**).
17. Install 2 amp fuse (18) into fuse block location selected in Step 14 (**Figures 4 & 5**).

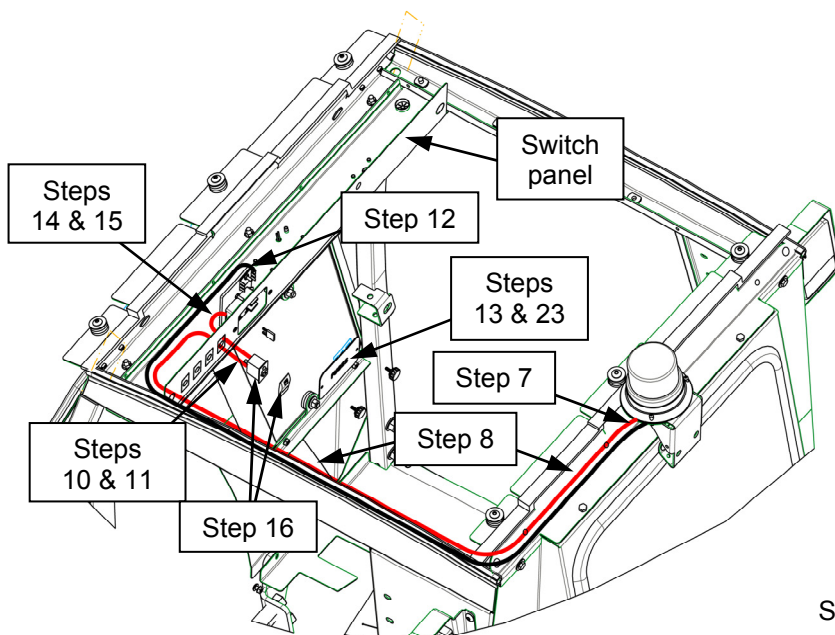


Figure 4
(Roof not shown)

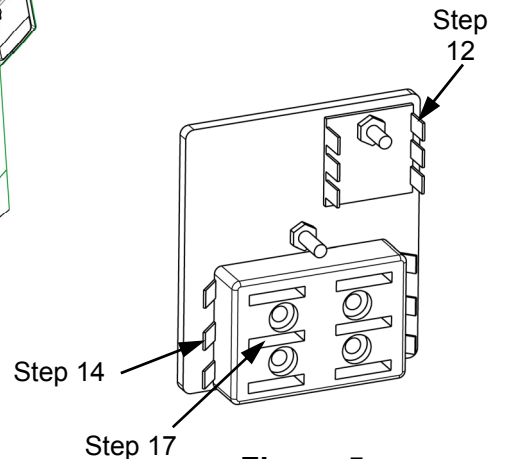
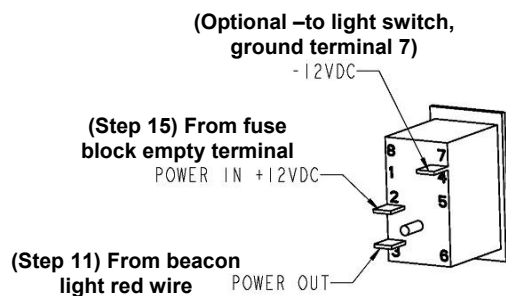


Figure 5
(Fuse block)



ROCKER SWITCH 3-18189
20A MAX AT 12VDC
TYPICAL SWITCH WIRING

Figure 6

18. Install protective wire loom (6) over beacon kit wires.
19. Remove spacer block, lower roof and re-secure back of roof.
20. Turn tractor's ignition key "On" and check beacon operation by turning the beacon rocker switch, on and off. Beacon should also turn off when tractor's ignition key is turned off.
21. Secure wire harness using nylon ties (8) with 1/4" rosebud retainers (16) to inside header locations shown in **Figures 7 & 8**. Note: If rear work light kit is installed, secure both wire harnesses at the same time using rosebud retainers and nylon ties.
22. Re-install switch panel to cab.
23. Secure fuse access cover panel to switch panel.

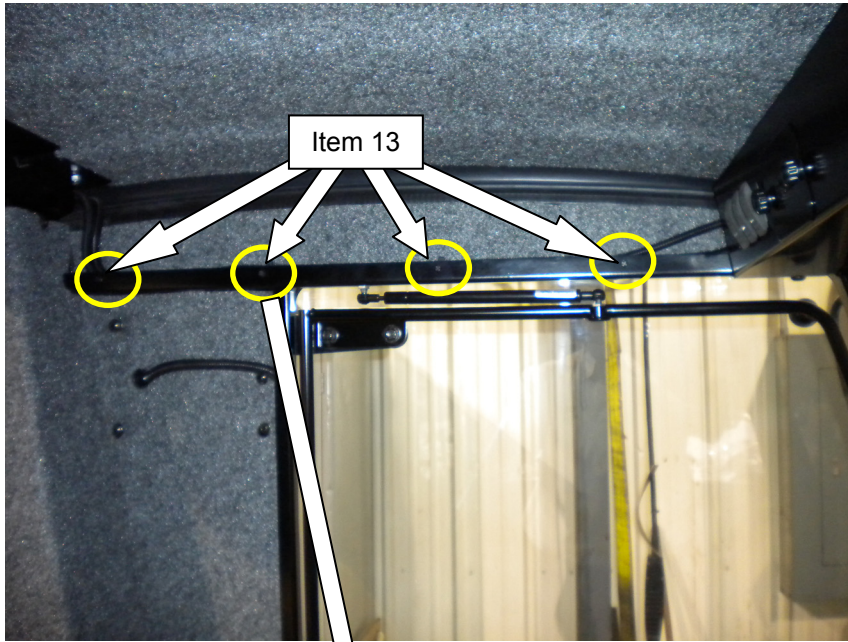


Figure 7



Figure 8

SP **CUSTOM PRODUCTS** ©2014
OF LITCHFIELD, INC.

PO BOX 70, 1715 S. Sibley Avenue, Litchfield, MN 55355-0070
Ph: (320) 693-3221 Fax: (320) 693-7252
www.800cabline.com

05-11580
January 21, 2014