



A-12091
REAR LED WORK LIGHT KIT
FOR JDX MY14 COZY CABS A-12098

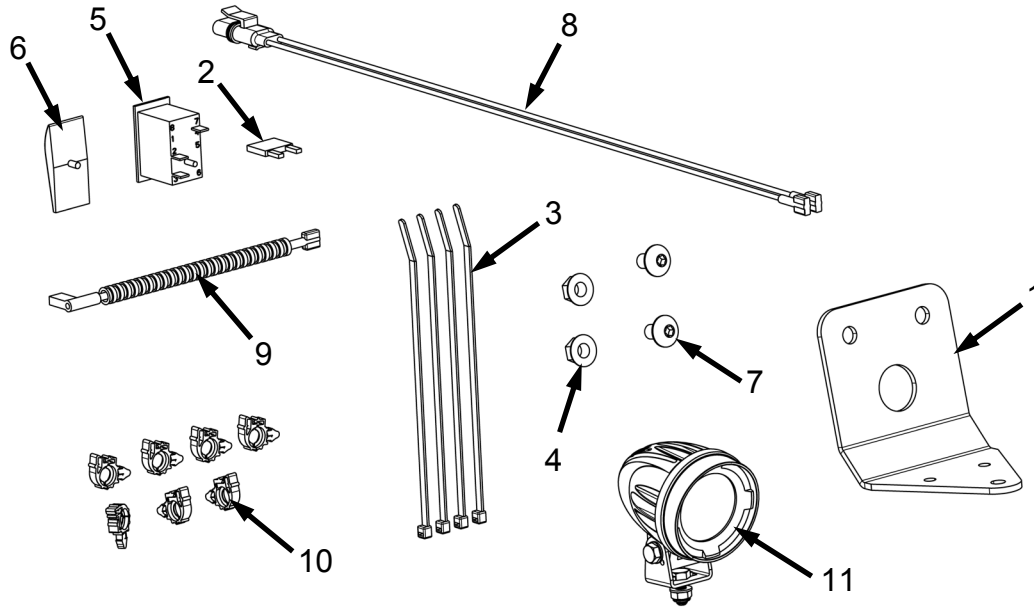


Before you begin, read these instructions and identify all components. Please retain these instructions for future reference and parts ordering information.

Note: Cab should be installed prior to installing this kit.

Kit Components: (Figure 1)	ITEM	QTY	PART No.	DESCRIPTION
	1	1	1-49211	REAR LIGHT MOUNT BRACKET
	2	1	3-16582	FUSE, 2 AMP
	3	4	3-16629	NYLON TIE, BLACK
	4	2	3-17111	NUT, FLANGE TYPE, 5/16"
	5	1	3-18189	ROCKER SWITCH BODY
	6	1	3-18514	ROCKER SWITCH ACTUATOR, WIPER
	7	1	3-19338	BOLT, 5/16 x 1/2" LONG, TORX HEAD
	8	1	3-19662	WIRE HARNESS, REAR LIGHT
	9	1	3-19686	WIRE HARNESS, FUSE BLOCK TO SWITCH
	10	1	3-20008	RETAINER, LOOM, ROSEBUD 1/4"
	11	1	3-20245	ROUND LIGHT, LED BULLET

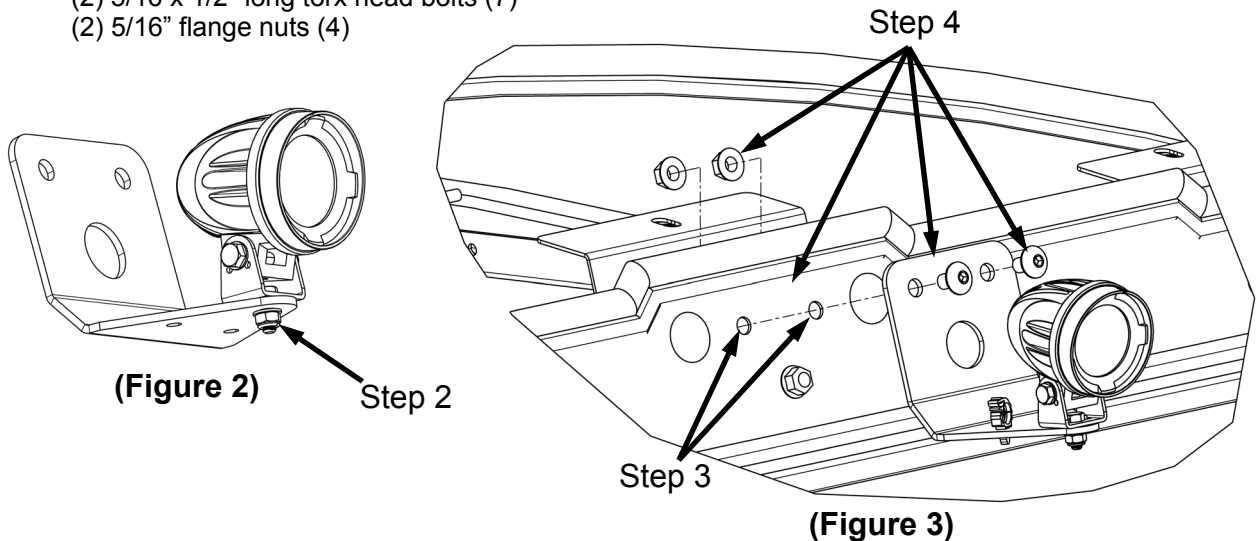
MOUNTING INSTRUCTIONS



**Figure 1
(Parts Identification)**

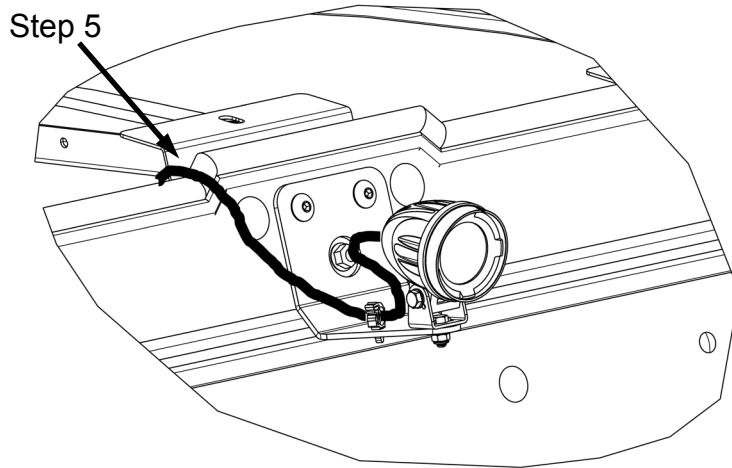
INSTALLATION STEPS;

1. Remove roof from cab.
2. Secure light (11) onto rear light mount bracket (1) with hardware supplied with light (**Figure 2**).
3. Remove two 3/8" hole plugs from rear cab plate (**Figure 3**).
4. Secure light with bracket to rear cab plate using (**Figure 3**);
(2) 5/16 x 1/2" long torx head bolts (7)
(2) 5/16" flange nuts (4)



5. Route wire with connector from light to inside of cab as shown in **Figure 4**.
6. Secure loom to mount bracket using one rosebud retainer (10).

MOUNTING INSTRUCTIONS



(Figure 4)

7. Locate rear light wire harness with light connector end (8). Connect to light (**Figure 5**).
8. Route opposite end of wire harness, from rear of cab, along RH cab header channel, to the front switch panel area (**Figure 5**).
9. Select an empty location on switch panel for rocker switch (5). Remove rectangular knockout (**Figure 5**).
10. Route red wire of rear light wire harness through switch knockout and connect to rocker switch terminal 3. Refer to labels on harness (**Figure 5**) for correct wire connections.
11. Connect **black** wire of harness labeled -12VDC Lights to ground terminal of fuse block (**Figures 5 and 6**).
12. Remove fuse block access cover from headliner and select an empty fuse terminal location.
13. Locate the shorter fuse block to switch wire harness (9). Connect 90 degree connector of wire harness to an empty fuse terminal location (**Figure 6**).
14. Connect straight connector of wire through switch knockout hole and connect to rocker switch terminal 2 (**Figures 5 and 7**).
15. Attach switch actuator (6) to rocker switch (5) then install switch into knockout (**Figure 5**).
16. Install 2 amp fuse (2) into fuse block location selected in Step 13 (**Figure 6**).
17. Reinstall roof and fuse access cover.

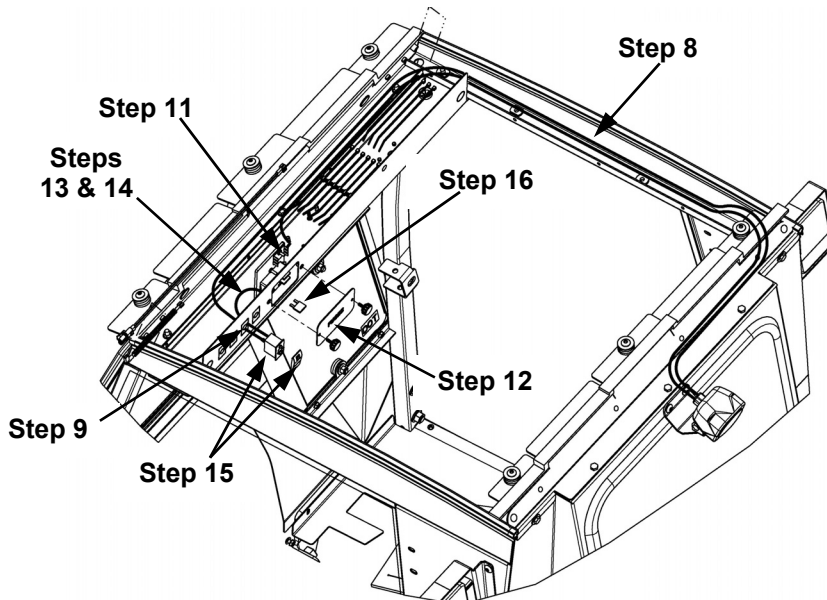


Figure 5
(Roof not shown)

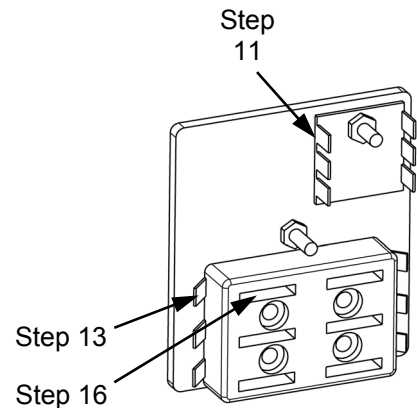


Figure 6

MOUNTING INSTRUCTIONS

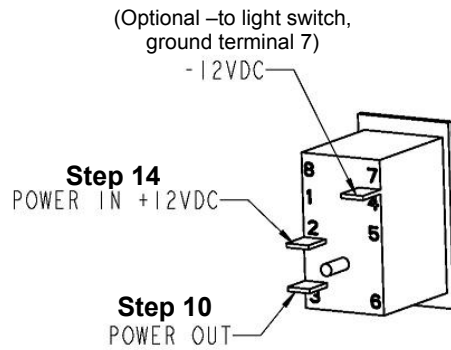


Figure 7

ROCKER SWITCH 3-18189

20A MAX AT 12VDC
TYPICAL SWITCH WIRING

Completing installation:

18. Turn tractor's ignition key to "On".
19. Turn light on and off to check proper operation. Check coverage area and adjust light if needed.
20. Secure wire harness using 1/4" rosebud retainers (10) on inside header locations.
21. Secure loose wire using nylon ties (4).

KIT ID	DESCRIPTION	AMP DRAW	FUSE AT
A-12090	FRONT WORK LIGHT, (2) LED 12 VDC	1.6	5
A-12091	REAR WORK LIGHT, (1) LED 12VDC	0.8	2
A-12093	HEATER KIT, 12 VDC WITH FITTINGS FOR GAS ENGINES	7	10
A-12096	REAR WIPER KIT, 12 VDC	3.3	5
A-12098	CAB, FRONT WIPER, 12VDC	3.3	5
A-12098	CAB, DOME LIGHT LED	0.8	3
A-12004	RECIRCULATION FAN KIT, 12 VDC	3.3	5



PO BOX 70, 1715 S. Sibley Avenue, Litchfield, MN 55355-0070
Ph: (320) 693-3221 Fax: (320) 693-7252
www.800cabline.com

05-11531
1/31/2014