



A-12097 EXTERIOR MIRRORS KIT

Before you begin, read these instructions and check to be sure all parts and tools are accounted for. Please retain these instructions for future reference and parts ordering information (**Figure 1**).

Kit Components:	ITEM	QTY	PART No.	DESCRIPTION
	1	2	1-49227	MOUNT PLATE
	2	2	1-46971	MOUNT PLATE CLAMP
	3	1	1-44148	MIRROR ARM, RH
	4	1	1-43966	MIRROR ARM, LH
	5	4	3-10378	HOLE PLUG, 1/2"
	6	2	3-18289	MIRROR HEAD, BRITAX
	7	8	3-19340	BOLT, 5/16 x 3/4" LONG, TORX BUTTON HEAD
	8	8	3-10072	NUT, 5/16" NYLOCK

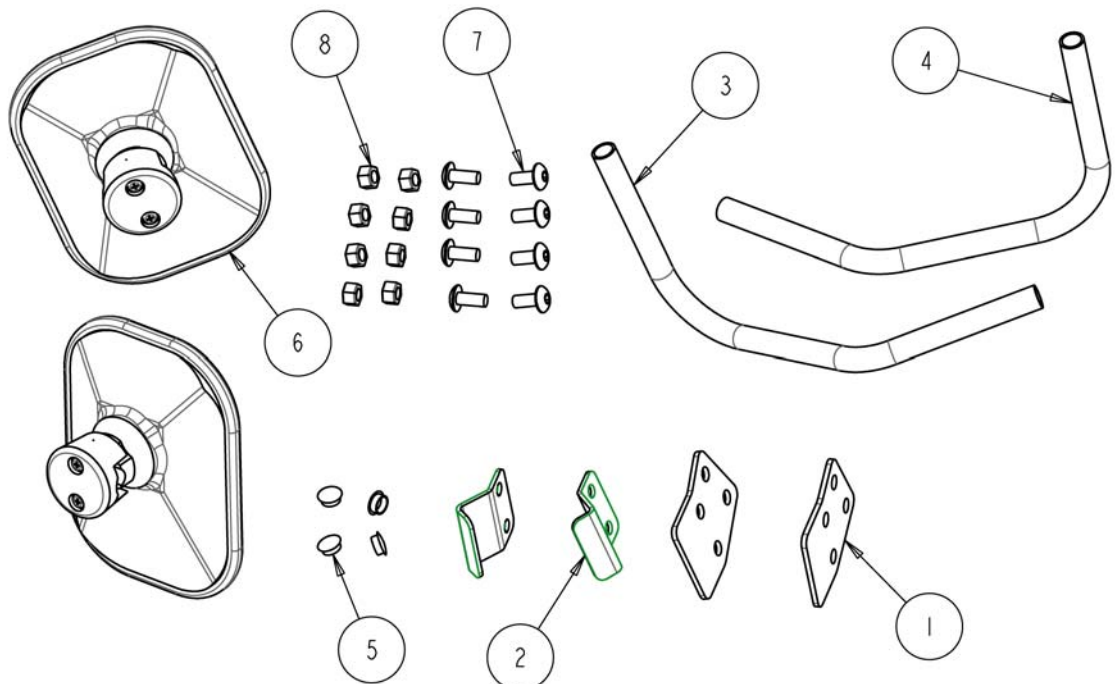


Figure 1

Installation Tools: Standard socket set and Torx wrench set.

Exterior Mirrors Installation (Refer to Figures 2 and 3):

1. Removal of front roof bolts is required to lift front of roof up.
2. Remove 3/8" hole plugs from side of front upper cab cross member.
3. Place mount plate (Item 1) onto side of front upper cab cross member surface.
4. Secure each mount plate to cab using two 5/16" x 3/4" button truss bolts (7) and two 5/16" nylock nuts (8).

5. Secure clamp bracket (2) to mount bracket (1) using two 5/16" x 3/4" button truss bolts (7) and two 5/16" nylock nuts (8).
6. Insert LH mirror arm (4) into mount plate (1) and mount plate clamp (2) and tighten hardware.
7. Mount mirror head (6) onto LH mirror arm and tighten using hardware supplied with mirror head.
8. Repeat steps 2-7 for Right Hand side using RH components.
9. Insert 1/2" hole plugs (5) into the ends of each mirror arm.
10. Adjust mirrors and check for door clearance. Re-secure front of roof.

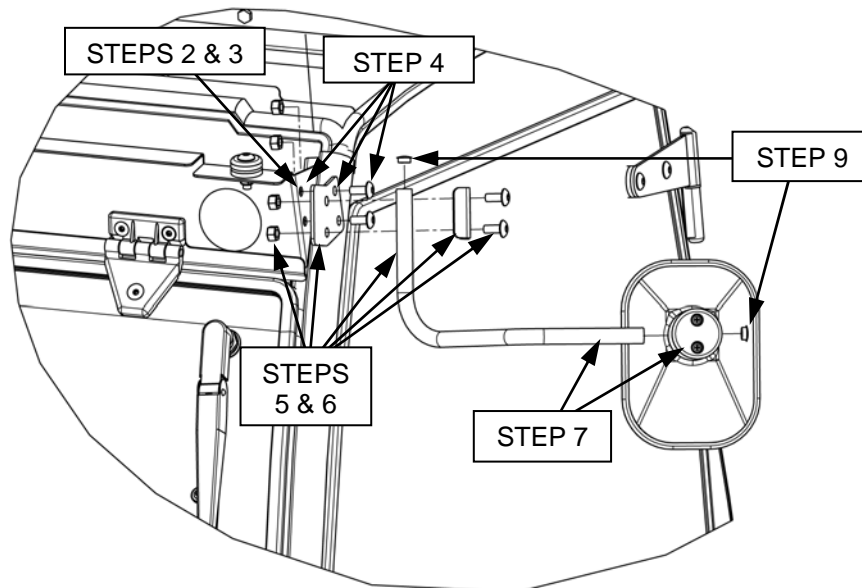


Figure 2

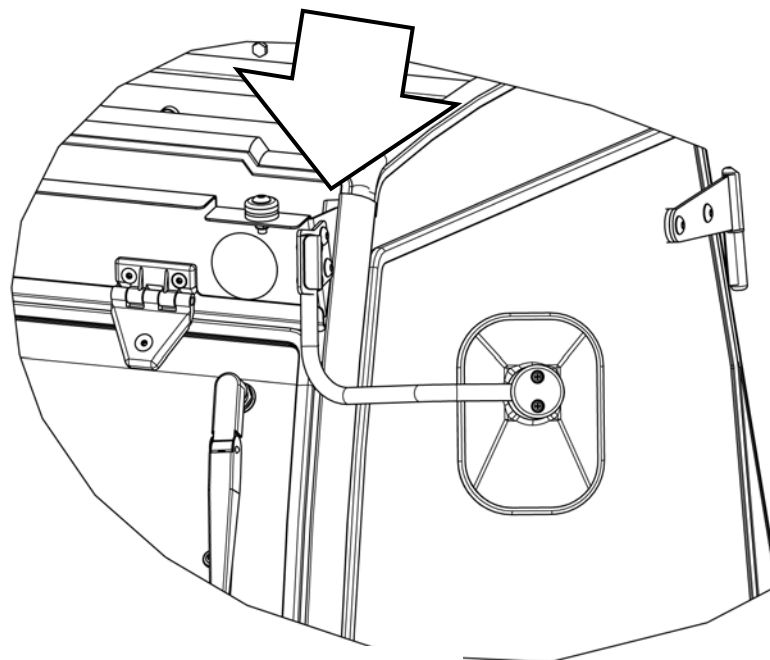


Figure 3

CUSTOM PRODUCTS ©2014
OF LITCHFIELD, INC.

PO BOX 70, 1715 S. Sibley Avenue, Litchfield, MN 55355-0070
Ph: (320) 693-3221 Fax: (320) 693-7252
www.800cabline.com

05-11485
January 17, 2014