

## CAB FRAME MOUNTING INSTRUCTIONS



### **A-11821 and A-11957 EZ CAB FRAME and ROOF fits CASE IH FARMALL 30B/35B & 40B/50B Models (Shown with optional A-11691 EZ HARD DOORS KIT)**

- A-11692 VINYL SOFT DOORS KIT
- A-11691 HARD DOORS WITH NON-SLIDER WINDOWS KIT
- A-11638 CAB HEADLINER KIT W/ FUSE BLOCK, DOME LIGHT AND WIRE HARNESSSES
- A-11639 WIPER KIT, RADIAL COVERAGE, 12VDC
- A-11640 WIPER KIT, RADIAL COVERAGE, MANUALLY OPERATED
- A-11641 LIGHTS KIT, FRONT MOUNTED, RH AND LH, 12VDC
- A-11642 HEADLINER VENTILATION FAN KIT, 2 FANS
- A-11643 EXTERIOR MIRROR KIT, RH AND LH
- A-11644 HEATER KIT, 12VDC, 15,000 BTU
- A-11645 SLIDER WINDOWS FOR DOORS KIT
- A-11646 WARNING AMBER STROBE LIGHT, 12VDC
- A-11647 JENSEN HD RADIO AND SPEAKERS KIT
- A-11648 STANDARD 7" FAN KIT, 12VDC

Manufactured by:



BOX 70 • LITCHFIELD, MINNESOTA 55355-0070

05-11264\_CIH-FARMALL.doc  
August 11, 2011

# CAB FRAME MOUNTING INSTRUCTIONS

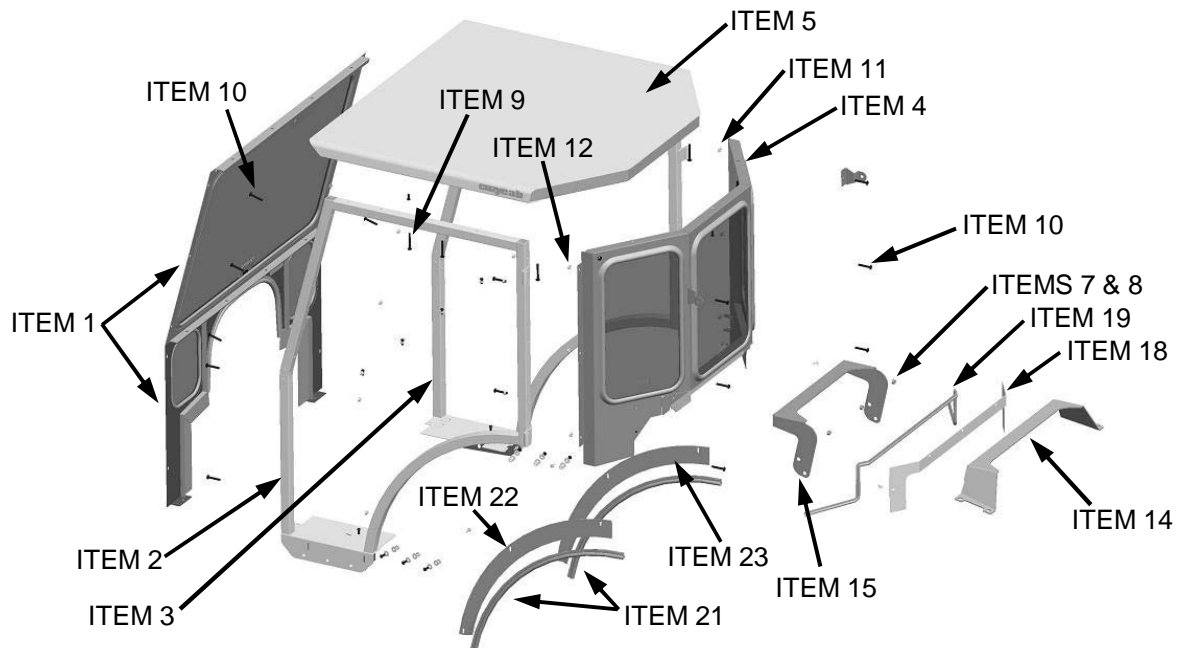
(320) 693-3221 Fax: (320) 693-7252

[www.800cabline.com](http://www.800cabline.com)

Before you begin, read these instructions and check to be sure all parts and tools are accounted for. Please retain these instructions for future reference and parts ordering information.

## Kit Components:

ITEM	QTY	PART NO.	DESCRIPTION
1	1	4-15379	FRONT WINDOW, UPPER AND LOWER HOOD SEAL ASSEMBLIES
2	1	2-16483	LH SIDE FRAME
3	1	2-16484	RH SIDE FRAME
4	1	4-15380	REAR WINDOW ASSEMBLY
5	1	4-15701	ROOF ASSEMBLY
6	1	4-15381	MOUNT KIT CONSISTS OF;
7	3	3-10393	3/8 x .75" LONG, HEX HEAD BOLTS
8	3	3-17622	3/8" FLANGE NUT
9	6	3-18797	5/16 x 2.50" LONG, BUTTON HEAD BOLT
10	16	3-18796	5/16 x 2.00" LONG, BUTTON HEAD BOLTS
11	28	3-17111	5/16" FLANGE NUT
12	19	3-18503	5/16 x .75" LONG, BUTTON HEAD BOLTS
13	15	3-10085	5/16" FLAT WASHER
14	1	2-16495	REAR MOUNT FOR "I" MODELS, 30 AND 35 Series
15	1	2-16496	REAR MOUNT FOR "R" MODELS, 40 AND 50 Series
17	6	3-10127	1/4 x 3/4" SELF TAPPING SCREW
18	1	1-46491	REAR SEAL PANEL FOR "I" MODELS, 30 AND 35 Series
19	1	3-18110	BUBBLE RUBBER, CLIP-ON 180 DEG X 59.00" LONG
20	1	3-18805	FOAM SEAL, 1x1-1/8", 54.00" LONG
21	2	3-18110	BUBBLE RUBBER, CLIP-ON 180 DEG X 36.00" LONG
22	1	1-46494	FENDER SEAL PANEL, LH
23	1	1-46495	FENDER SEAL PANEL, RH
24	2	3-14925	1/4 X 5/8" LONG, HEX FLANGE HEAD BOLT
25	2	3-14924	1/4" FLANGE NUT



**Figure 1**  
**PARTS I.D. AND GENERAL LAYOUT**

05-11264\_CIH-FARMALL.doc  
August 11, 2011

## CAB FRAME MOUNTING INSTRUCTIONS

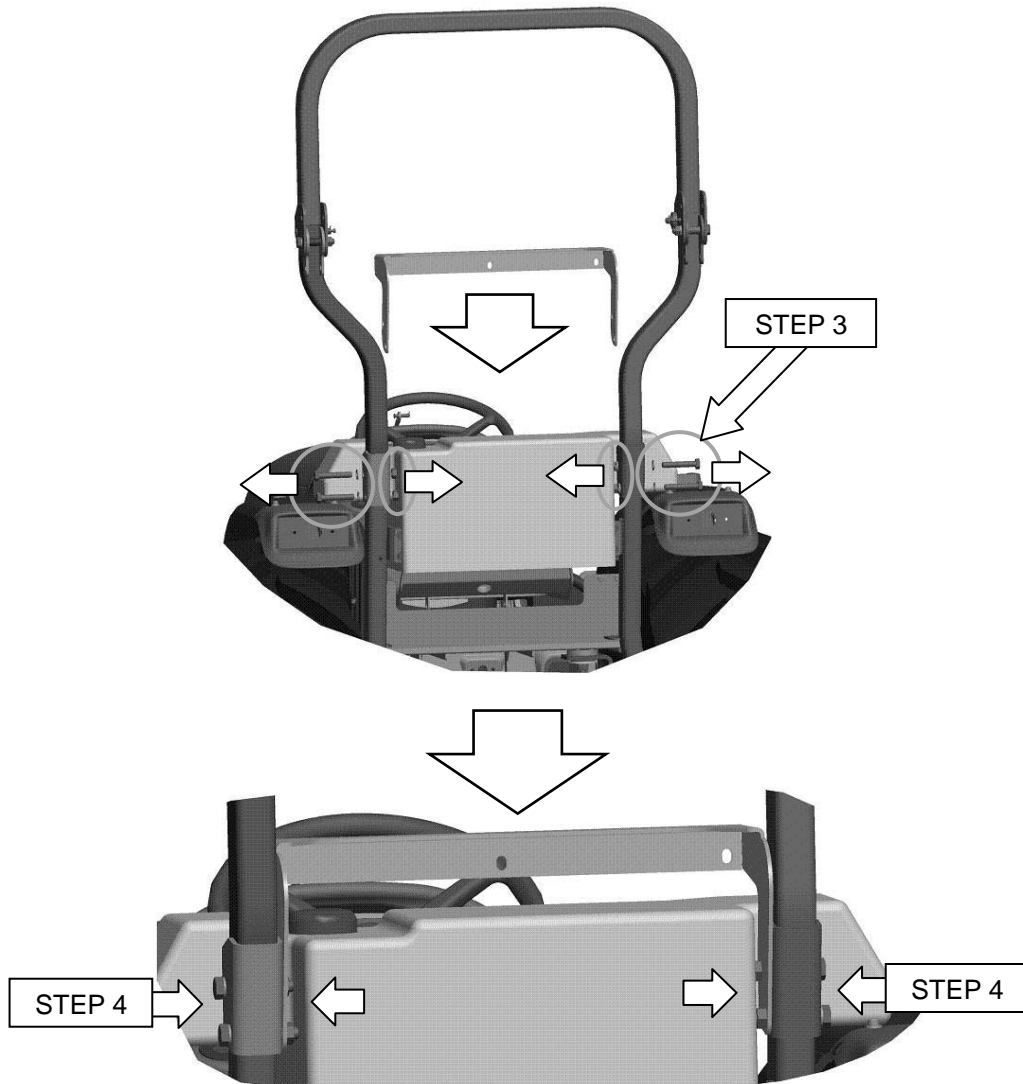
**Installation tools:** Standard and Metric Socket Sets, (2) C-Clamps, torque wrench, drill and drill bits.

### **Installation of Cab Frame**

1. Park tractor on level surface.
2. Remove platform steps from each side of tractor.

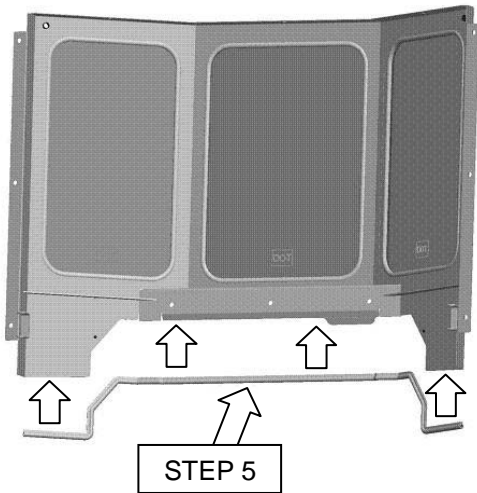
**Installing rear mount and rear window assembly; Complete steps 4-7 for 40 and 50 model series (Skip steps 4 through 7 for 30 and 35 model series);**

3. Loosen middle ROPS connection bolts and insert "R" style rear mount bracket, as shown in Figure 2.
4. Re-install ROPS connection bolts and **torque to manufacturer's specifications**, as shown in Figure 2.

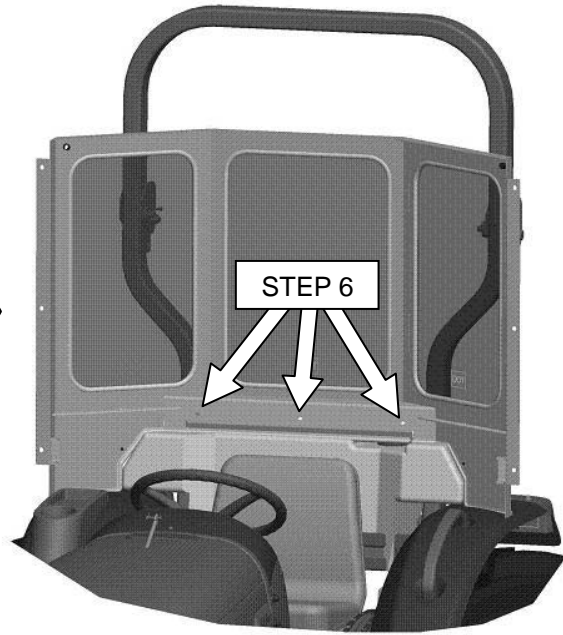


**Figure 2  
(40 and 50 model series, only)**

## CAB FRAME MOUNTING INSTRUCTIONS



**Figure 3**  
**(40 and 50 model series, only)**

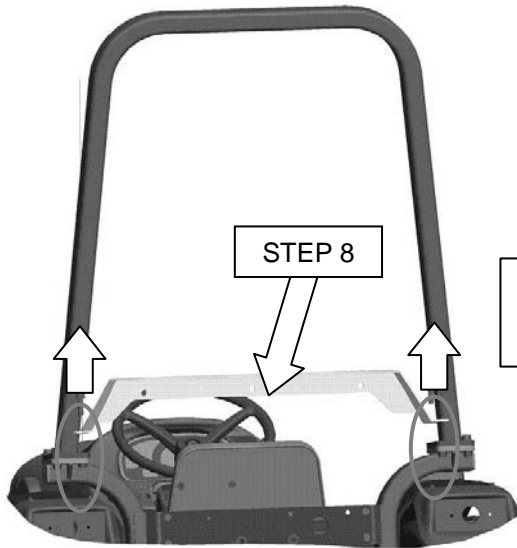


**Figure 4**  
**(40 and 50 model series, only)**

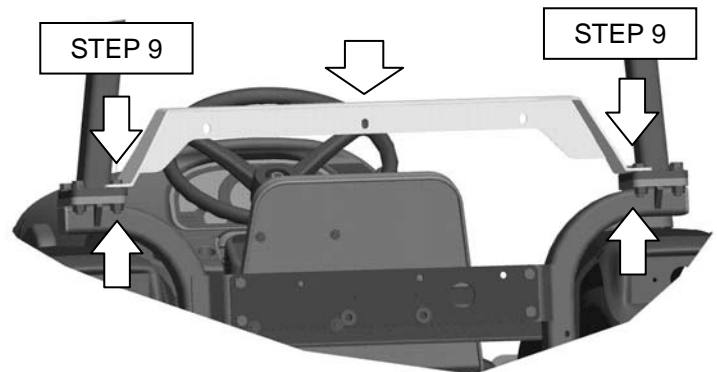
5. Apply 59" long bubble rubber seal from mount kit to bottom edge of rear panel, as shown in Figure 3.
6. Place rear window panel assembly onto rear mount and secure using (3) 3/8 x 3/4" long head bolts, (3) 5/16" flat washers and (3) 3/8" flange nuts. See Figure 4.

**For 30 and 35 models, complete steps 8-13 (For 40 & 50 models, skip steps 8-13);**

7. Remove the inner 4 of 8 ROPS bolts that secure the ROPS to mount plates.
8. Place "I" style mount bracket on top of ROPS pads. See Figure 5.
9. Re-install the inner 4 ROPS bolts and **torque to manufacturer's specifications**. See Figure 6.



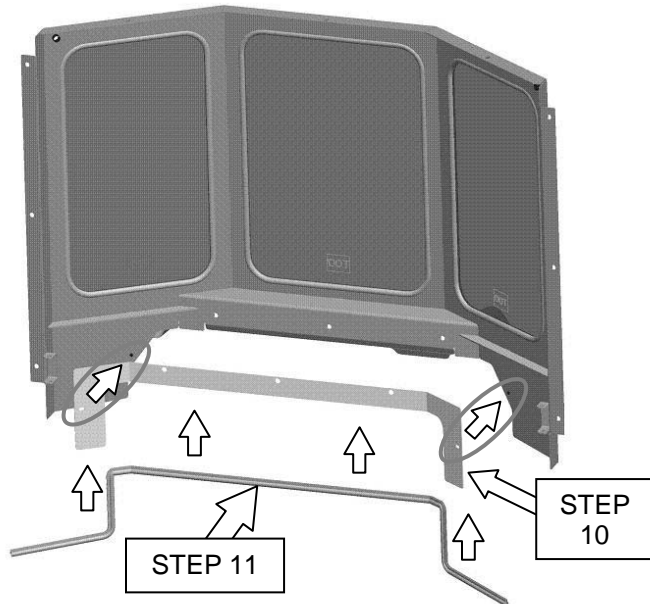
**Figure 5**  
**(30 and 35 models, only)**



**Figure 6**  
**(30 and 35 models, only)**

## CAB FRAME MOUNTING INSTRUCTIONS

10. Attach "I" type seal panel to bottom of rear window assembly and secure using (2)  $\frac{1}{4}$ " x .625" long bolts and (2)  $\frac{1}{4}$ " flange nuts, as shown in Figure 7.
11. Attach (1) 59" long bubble rubber seal to bottom of rear seal panel, as shown in Figure 7.
12. Place rear window panel assembly with "I" seal panel and bubble rubber, onto rear mount "I" and secure using (3)  $\frac{3}{8}$  x  $\frac{3}{4}$ " long head bolts, (3)  $\frac{5}{16}$ " flat washers and (3)  $\frac{3}{8}$ " flange nuts. See Figure 8.



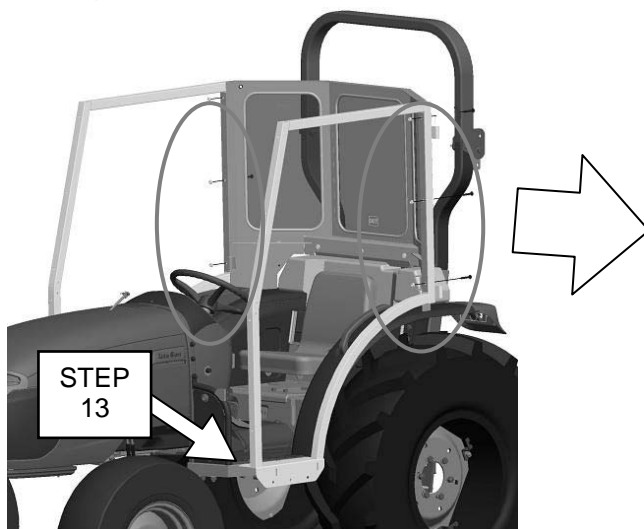
**Figure 7**  
(30 and 35 models, only)



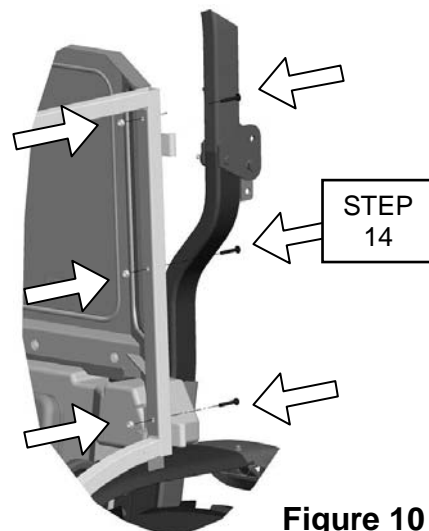
**Figure 8**  
(30 and 35 models, only)

### **Cab assembly (All models):**

13. Position the plate portion of LH side frame onto tractor platform deck. See figure 9.
14. Secure rear of LH side frame to rear panel assembly using (3)  $\frac{5}{16}$ " x 2.00" long button head bolts and (3)  $\frac{5}{16}$ " flange nuts. Repeat step to mount RH side frame. See figure 10.



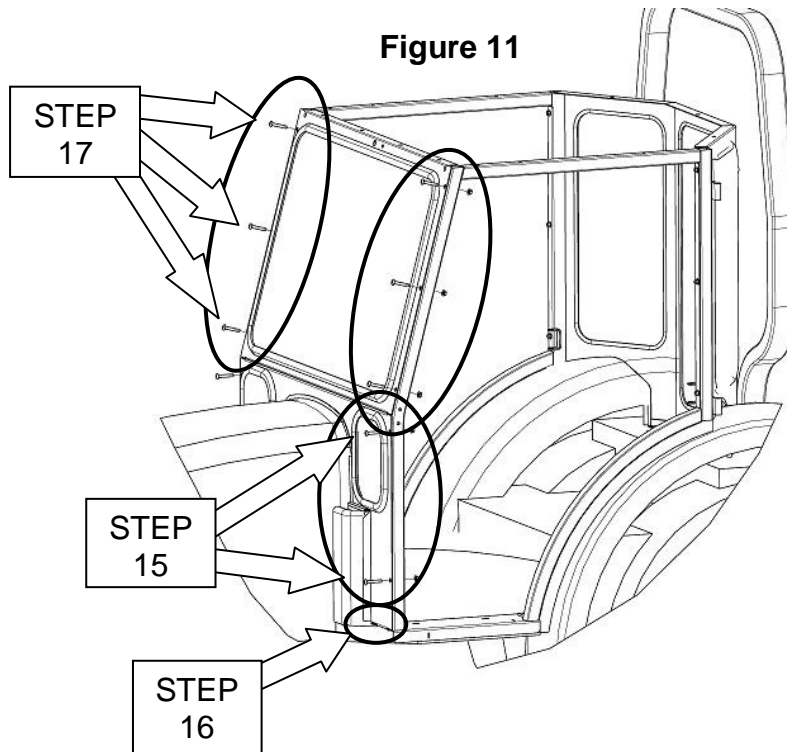
**Figure 9**



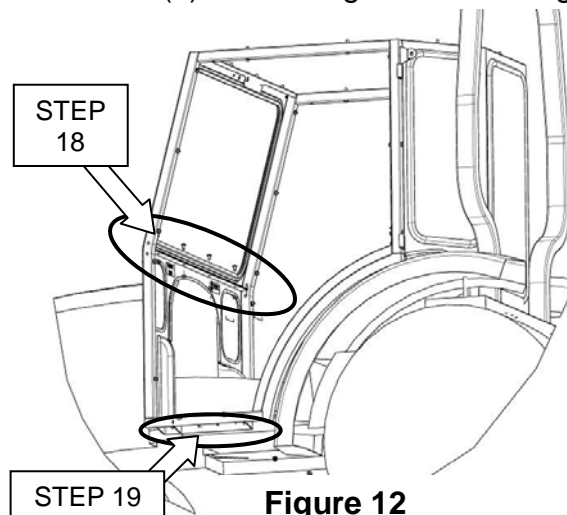
**Figure 10**

## CAB FRAME MOUNTING INSTRUCTIONS

15. Place front lower hood seal assembly onto hood and secure assembly to front of side frame. Secure using (2) 5/16" x 2.00" long button head bolts and (2) 5/16" flange nuts, to each side frame. See figure 11.
16. Secure bottom of front lower hood seal assembly to bottom of each side frame deck plate using (2) 5/16" x 3/4" long button head bolts and (2) 5/16" flange nuts.
17. Secure front upper window assembly to side frames using (3) 5/16" x 2.00" long button head bolts and (3) 5/16" flange nuts on each side. See figure 11.

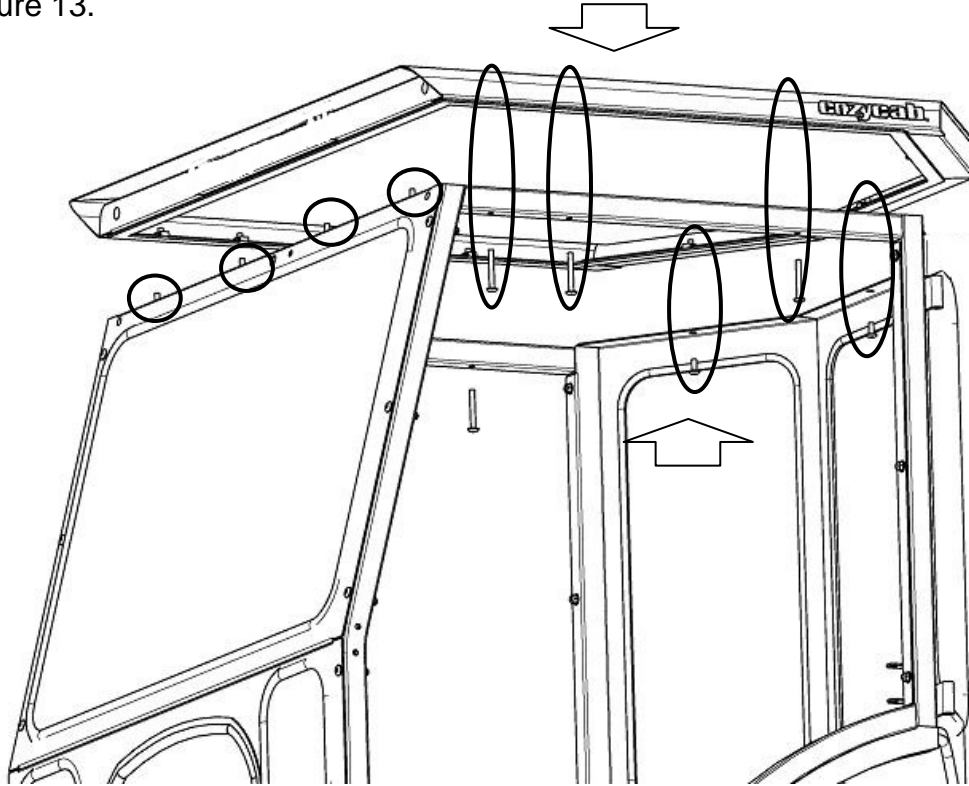


18. Secure front upper and front lower assemblies together using (4) 5/16" x 3/4" long button head bolts and (4) 5/16" flange nuts. See figure 12.
19. To get a proper seal around hood to front panel, apply pressure using C-clamps to secure side frame deck plates downward and inward onto operator's platform. Secure each side frame to tractor floor deck, align holes and secure using (3) 5/16" x 3/4" button head bolts and (3) 5/16" flange nuts. See figures 12 & 14.



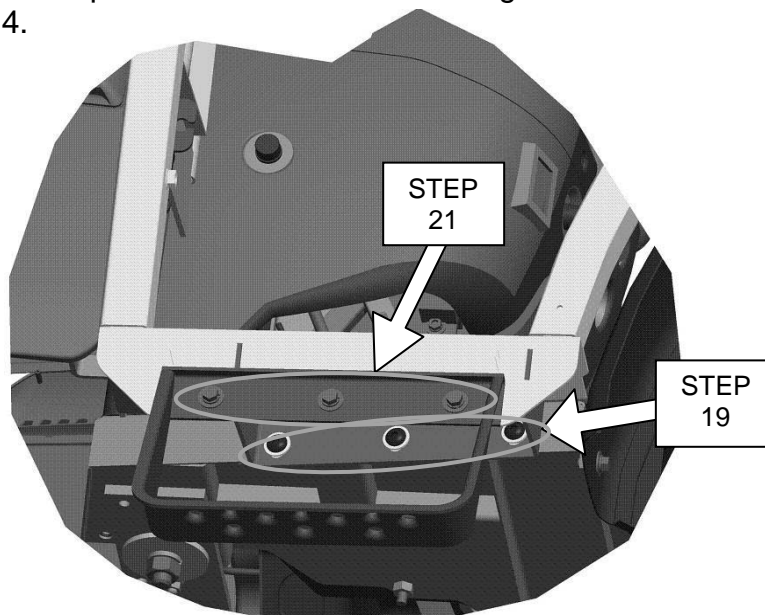
## CAB FRAME MOUNTING INSTRUCTIONS

20. Place roof assembly onto cab frame and align with front and rear panels. Secure hardware from bottom upward as noted below;  
Front using (4) 5/16" x 3/4" button head bolts  
Rear using (3) 5/16" x 3/4" button head bolts  
Each side frame using (3) 5/16" x 2.50" long button head bolts on each side. See Figure 13.



**Figure 13**

21. Remount platform steps to each side of cab reusing the same hardware from Step 3. See figure 14.



**Figure 14**

## CAB FRAME MOUNTING INSTRUCTIONS

22. Attach 36.00" long bubble rubber to the bottom (inside) radius of each LH and RH fender seal strip. See Figures 15 and 16.
23. Secure fender seal strips with bubble rubber to side frame fender tubes using (3) ¼" self-tapping screws, on each side.

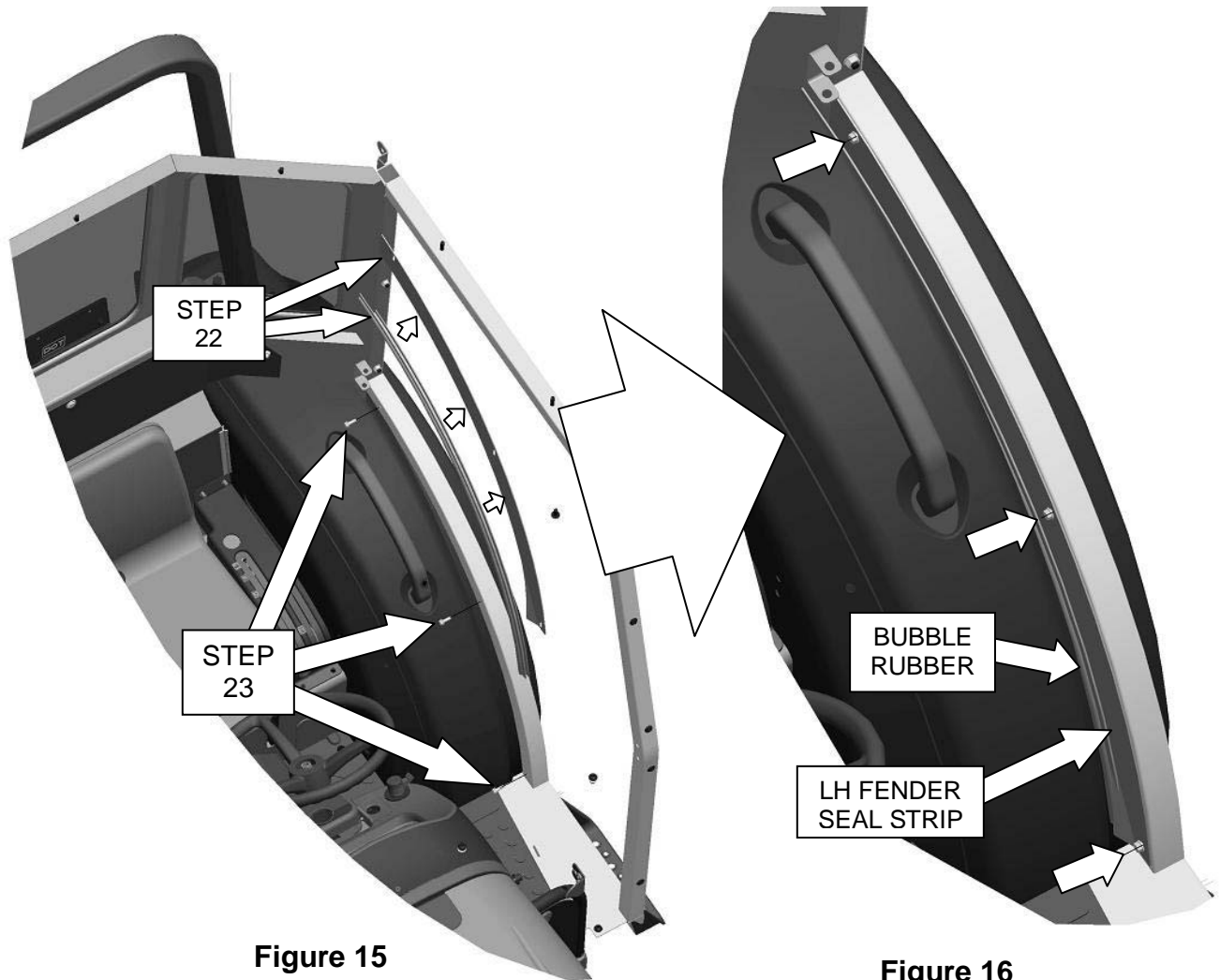


Figure 15

Figure 16

24. One piece of foam seal 1 x 1.125" x 54" is supplied with mount kit for additional sealing of cab, if desired. This can be used to seal small holes and gaps. Cut to fit.

### Finishing Cab Installation:

25. Joystick relocation is required for proper clearance once doors are installed (**Figure 17**). Remove joystick and joystick mount bracket from RH fender of tractor.
26. Relocate (Using a drill) hole location, .375" from original hole at 10 degrees, on bracket as shown in **Figure 18**.
27. Relocate (Using a drill) hole location, .625" from original hole at 28 degrees, on bracket as shown in **Figure 19**.
28. Remount joystick onto bracket.
29. Remount joystick and bracket onto fender (**Figures 20 & 21**).



# CAB FRAME MOUNTING INSTRUCTIONS



Figure 17

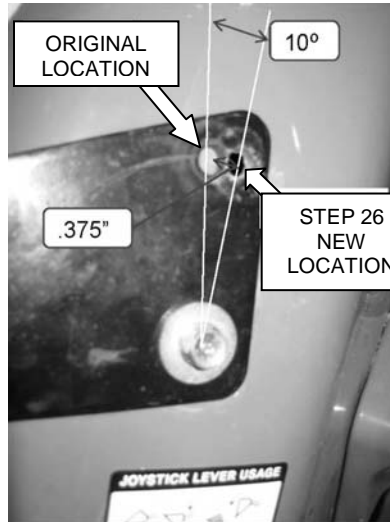


Figure 18

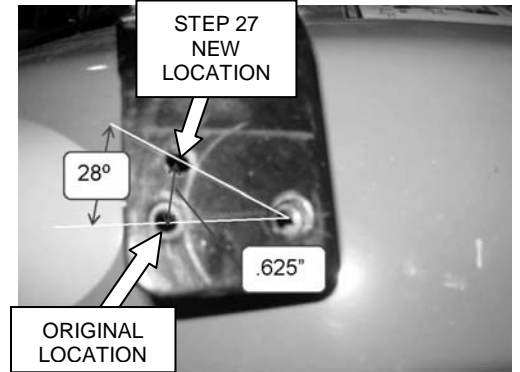


Figure 19



Figure 20



Figure 21



Figure 22



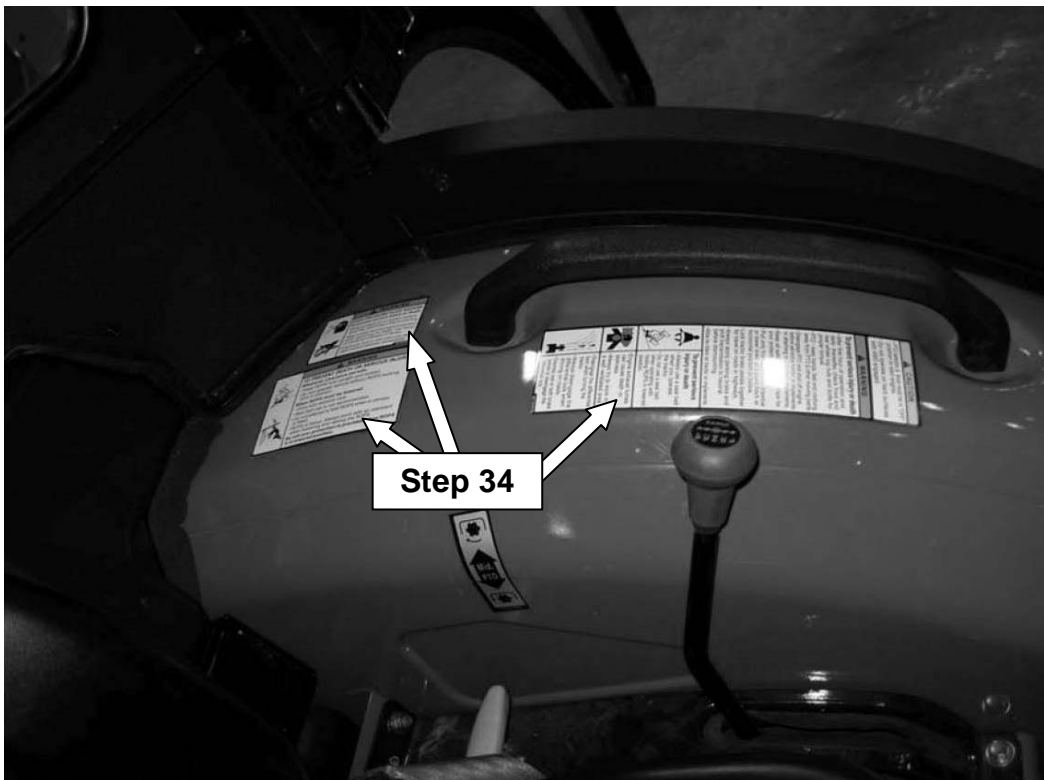
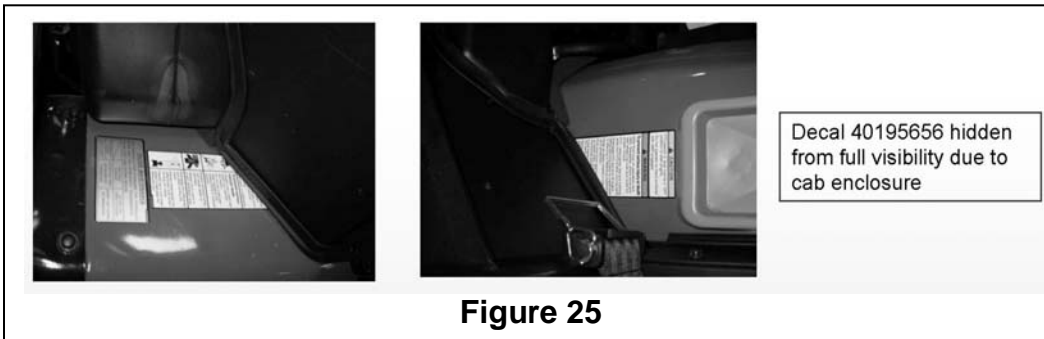
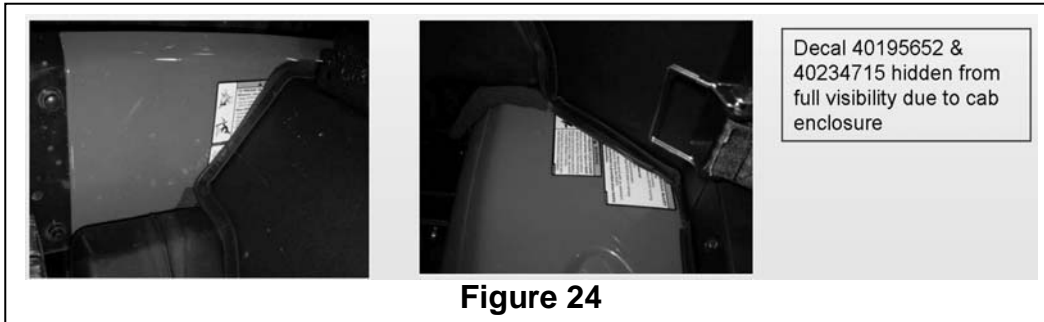
Figure 23

30. Verify motion and clearances as shown in **Figures 22 and 23**.

## CAB FRAME MOUNTING INSTRUCTIONS

### Applying new decals:

31. A number of warning decals are covered by the cab frame (**Figures 24 & 25**). Dealer must order the following decals; Part Numbers: **40195652, 40234715 and 40195656**.
32. Apply decals as shown in **Figure 26**.

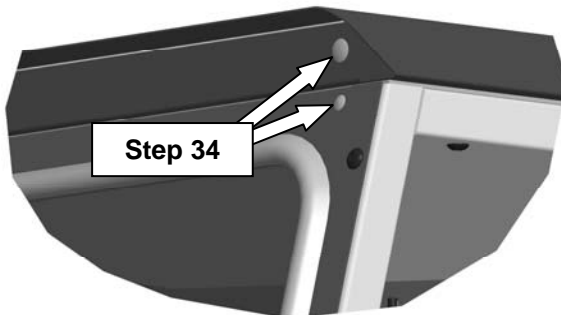


**Figure 26**

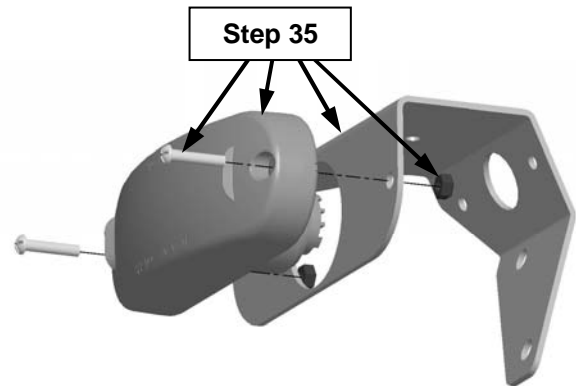
## CAB FRAME MOUNTING INSTRUCTIONS

### Installation of front warning flashers:

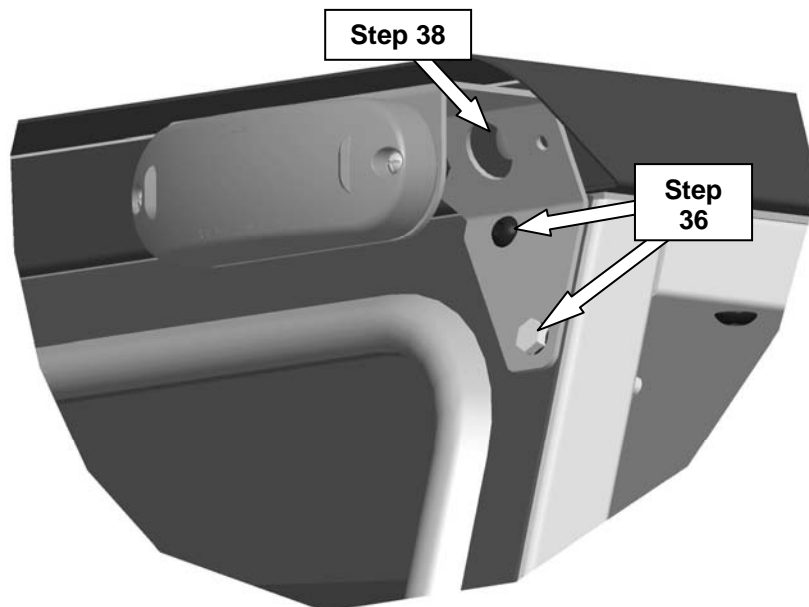
33. **Note: Front warning flashers require Headliner Kit A-11638.** Dealer is required to install headliner for proper installation of front warning flashers.
34. Remove hole plugs on front of cab and grommets in roof (to be reinstalled later) as shown in **Figure 27**.
35. Secure amber warning light to LH flasher mount bracket using (**Figure 28**);
  - (2) bolt, No. 10 x 1.00" long
  - (2) nylock nut, No. 10
36. Secure amber warning light and bracket to front of cab using (**Figure 29**);
  - (1) Reusing the button hex bolt, 5/16" x 2.00" long
  - Or (1) Hex head bolt, 5/16 x 2.25" long, if additional accessories are added.
  - (1) Bolt, 5/16" x 3/4" long
  - (2) Flanged hex nut, 5/16"



**Figure 27**



**Figure 28**  
(LH bracket shown)



**Figure 29**

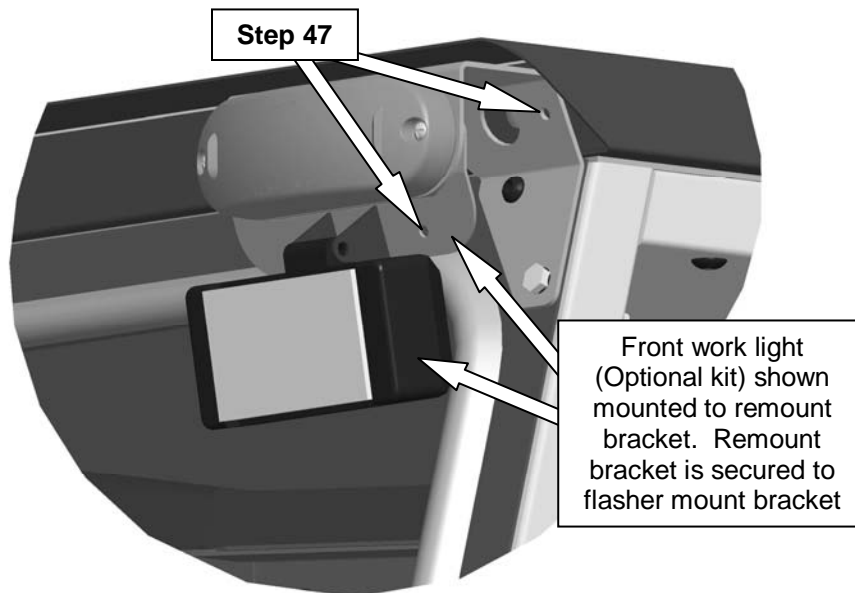
37. Repeat steps 36-38 for mounting flasher to RH side, using RH mount bracket.

## CAB FRAME MOUNTING INSTRUCTIONS

38. From inside of cab, route Delphi ends of flasher wire harness (3-19675), through the 1 ¼" hole and the 1 ¼" hole in mount bracket. Connect harness to each flasher light. Reinstall grommets in roof.
39. Remaining end of wire harness is to be connected to headliner connections. The flasher harness has a flasher relay in line.
40. Connect the black wire to ground location on headliner.
41. Select a location on headliner and remove knockout.
42. Install rocker switch body.
43. Install rocker switch actuator.
44. Connect yellow wires of wire harness labeled 2 and 3 to rocker body terminals 2 & 3. Also connect black wire, labeled 7, to rocker body terminal 7.
45. Connect the remaining yellow wire to an empty fuse block terminal location.
46. Install a 7.5 amp fuse into fuse block.
47. Secure loose wires and loom using nylon ties and PSA tie pads. Ties with tree retainers can be installed using ¼" holes (**Figure 30**).
48. Install any additional accessories that require the headliner at this time.
49. Secure headliner to cab frame as shown in headliner installation instructions.

**Installation is now complete.**

- If front work lights (Option) are to be installed, light remount brackets and hardware (Supplied with this kit) are required to mount work lights to front flasher mount brackets (**Figure 30**).



**Figure 30**

Manufactured by:

**CUSTOM PRODUCTS** ©2011  
OF LITCHFIELD, INC.

BOX 70 • LITCHFIELD, MINNESOTA 55355-0070  
(320) 693-3221 Fax: (320) 693-7252  
[www.800cabline.com](http://www.800cabline.com)

05-11264\_CIH-FARMALL.doc  
August 11, 2011