

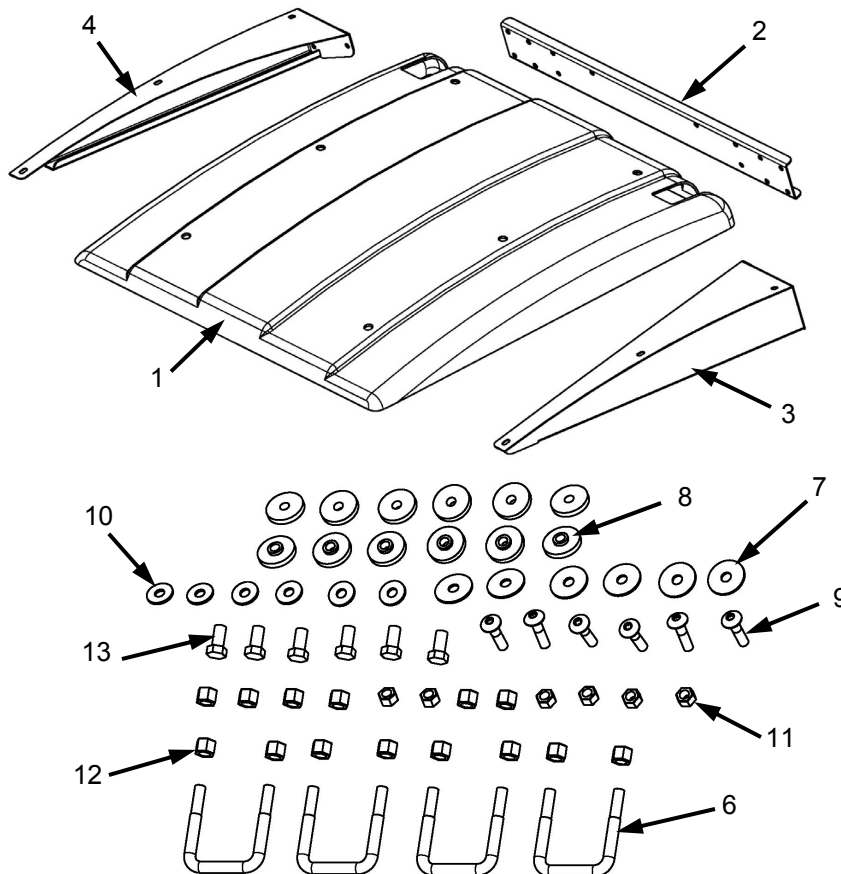
Installation Instructions  
**Plastic Sunshade**  
**For JD 2320-2520-2720**  
**A-11902**

This Sunshade Kit fits John Deere 2320, 2520 and 2720 tractor models with folding ROPS, model years 2010 and newer.

**SUNSHADE PARTS IDENTIFICATION;**

1. Remove contents from box and identify components (**Figure 1**).

ITEM	QTY	DESCRIPTION	PART NO.
1	1	SUNSHADE, PLASTIC, GREEN ABS	3-19653
2	1	REAR CROSS MEMBER	1-47376
3	1	BRACKET, WELDMENT LH	2-16688
4	1	BRACKET, WELDMENT RH	2-16689
5	1	HARDWARE KIT, CONSISTS OF ITEMS 6-12	4-15622
6	4	U-BOLT FOR SQUARE TUBE, 2X3X2	3-18000
7	6	5/16" FENDER WASHER	3-18187
8	12	5/16" RUBBER WASHER, SHOULDER	3-16217
9	6	5/16 x 1.25" LONG, TRUSS TORX HEAD BOLT	3-18324
10	6	5/16" FLAT WASHER	3-10085
11	6	5/16" NYLOCK NUT	3-10072
12	14	3/8" NYLOCK NUT	3-10073
13	6	3/8 x 3/4" LONG, HEX HEAD BOLT	3-10393

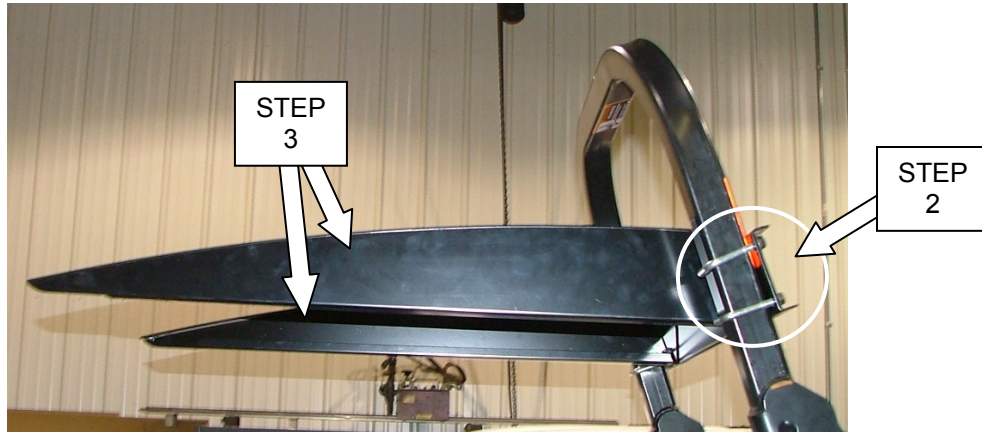


**Figure 1**

## Installation Instructions

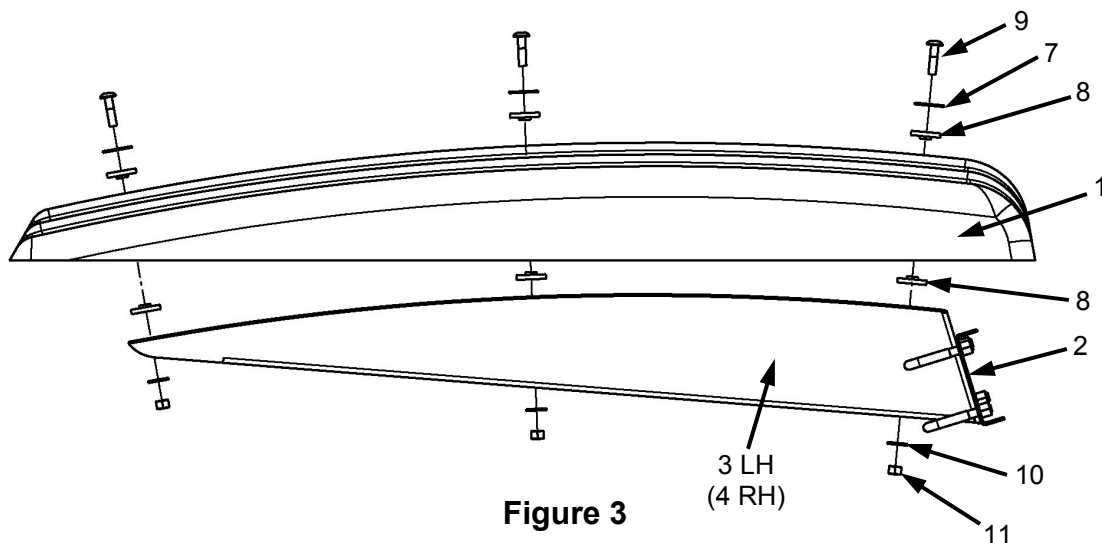
### **MOUNTING THE SUNSHADE;**

- Place and attach rear cross member (2) to outside surface of ROPS top hoop, just above the pivot bracket, as shown in **Figure 2**. Secure to hoop using;
  - 4 - U-bolts for square tube, 3x2x3 (6)
  - 8 - 3/8" Nylock nuts (12)Tighten bolts but leave loose enough for up/down adjustment required later in these instructions.



**Figure 2**

- Secure LH bracket (3) and RH bracket (4) to rear cross member (2) using (**Figure 2**);
  - 6 - 3/8" x 3/4" long, hex head bolt
  - 6 - 3/8" nylock nutTighten bolts but leave loose enough for some adjustment if needed.
- Place plastic roof (1) on top of LH and RH brackets and secure to brackets using (**Figure 3**);
  - 6 - 5/16" x 1.25" long, truss torx head bolt (9) (top side of roof)
  - 6 - 5/16" fender washer (7) (top side of roof)
  - 12 - 5/16" rubber washer, shoulder (8) (one washer on each side of roof)
  - 6 - 5/16" flat washer (10) (bottom side of roof)
  - 6 - 5/16" nylock nut (11) (bottom side of roof)
- Move roof assembly upward and tighten U-bolts.
- Adjust roof to make sure it's level and tighten any remaining loose hardware.



**Figure 3**

**CUSTOM PRODUCTS** ©2011  
OF LITCHFIELD, INC.

PO BOX 70, 1715 S. Sibley Avenue, Litchfield, MN 55355-0070  
Ph: (320) 693-3221 Fax: (320) 693-7252  
www.800cabline.com

05-11220  
5/4/2011