

INSTALLATION INSTRUCTIONS

A-11842 Sunshade Front Window Kit



Vehicle set up instructions;

This front window kit is designed to be only used with Sunshade kit A-11837, model year 2010 and newer, Multi-Pro 5800 Sprayer Vehicles equipped with a ROPS. All decals must be installed and legible.

Preparation of machine;

1. Position vehicle on a clean level surface, stop engine, engage parking brake and remove key from ignition switch.
2. If Sunshade Kit A-11837 is not installed, do so prior to installing this kit.
3. Unpack and identify components (**Figure 1**).

Parts list;	ITEM	QTY	DESCRIPTION	CP P/N
	1	10	5/16 x 1.50" LONG, BUTTON HEAD BOLT	3-19342
	2	10	5/16" FENDER WASHER	3-18187
	3	36	5/16" RUBBER GLASS WASHER	3-16217
	4	10	5/16" NYLOCK NUT	3-10085
	5	13	5/16" FLAT WASHER	3-10085
	6	3	5/16 x .75" LONG, BUTTON HEAD BOLT	3-19340
	7	3	5/16" LOCK WASHER	3-10077
	8	4	3/8 x 1.75" LONG, HEX HEAD BOLT	3-10020
	9	4	3/8" FLAT WASHER	3-10086
	10	4	3/8" NYLOCK NUT	3-10073
	11	1	UPPER MOUNT BRACKET	1-47072
	12	1	MIDDLE MOUNT PANEL	2-16610
	13	1	HOOD SEAL, 90 DEG BUBBLE x 33.3" LONG	3-18829
	14	2	LOWER WINDOW	3-19503
	15	2	SEAL, OUTER, BUBBLE 90 x 36.50" LONG	3-19324
	16	2	SEAL, INNER FLAP x 21.57" LONG	3-19349
	17	1	FRONT UPPER WINDOW	3-19499
	18	1	UPPER WINDOW SEAL, BUBBLE, 90 x 173" LONG	3-19324

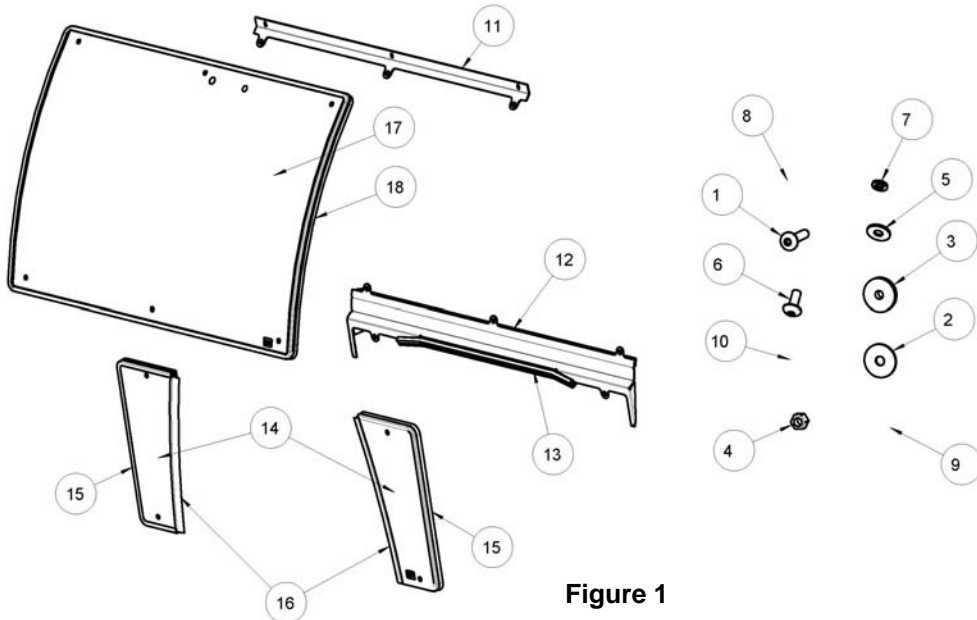


Figure 1

INSTALLATION INSTRUCTIONS

A-11842 Sunshade Front Window Kit

Installation of Sunshade Front Window;

4. Place hood panel in between side frames (**Figures 2 & 3**). Secure to side frames using;
 - (4) 3/8 x 1.75" long, hex head bolts
 - (4) 3/8" Flat washers
 - (4) 3/8" Nylock nuts
 5. Attach upper mount panel to sunshade front cross member (**Figure 4**). Secure using;
 - (3) 5/16 x .75" long, button head bolts
 - (3) 5/16" Flat washers
 - (3) 5/16" Nylock nuts
 6. Install upper window (**Figures 2, 4 & 5**). Secure top and bottom of window to panels using;
 - (6) 5/16 x 1.50" long, button head bolts
 - (6) 5/16" Flat washers
 - (24) 5/16" rubber window washers
 - (6) 5/16" fender washers
 - (6) 5/16" Nylock nuts
- Note 1: Make sure shoulder of rubber washers are assembled as shown in figure 5!**
Note 2: Additional rubber washers may be needed (Figure 5).
7. Install lower windows to frame (**Figures 3 & 5**). Secure each window using;
 - (2) 5/16 x 1.50" long, button head bolts
 - (2) 5/16" Flat washers
 - (6) 5/16" rubber window washers (2) 5/16" fender washers
 - (2) 5/16" Nylock nuts

Note 1: Make sure shoulder of rubber washers are assembled as shown in figure 5!



Figure 2

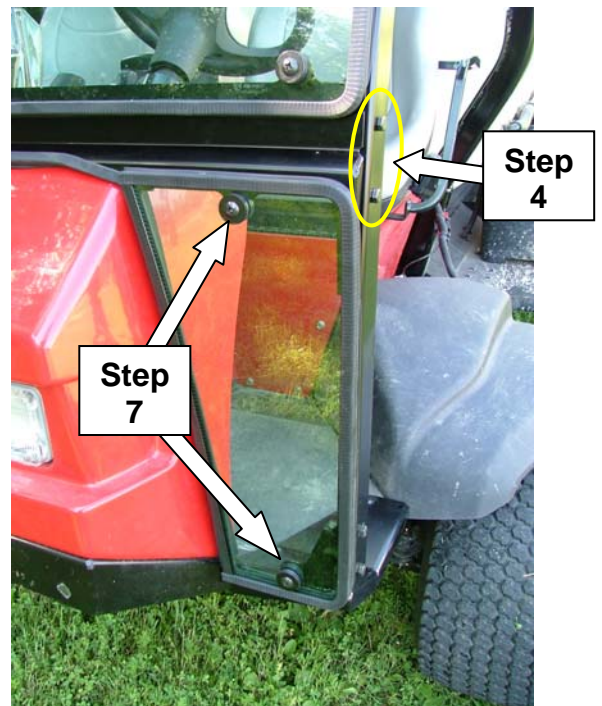


Figure 3

INSTALLATION INSTRUCTIONS

A-11842 Sunshade Front Window Kit



Figure 4

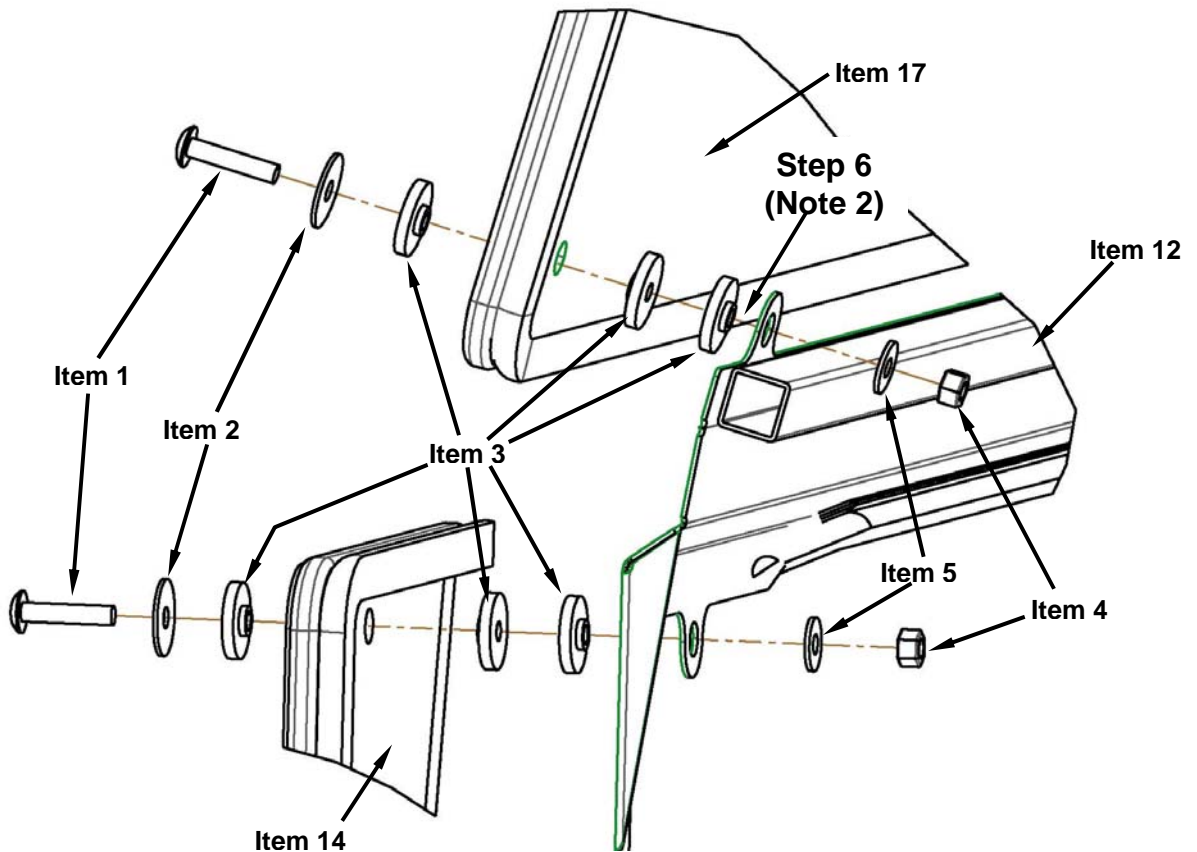


Figure 5
(Typical window mounting hardware layout)

INSTALLATION INSTRUCTIONS

A-11842 Sunshade Front Window Kit

Optional kits are available for your Multi-Pro 5800 Sprayer Sunshade Kit and are noted below;

- A-11838 Wiper kit, radial coverage with park, switch, wiring and fuse
- A-11839 Washer fluid tank with pump, wet arm, switch, wiring and fuse
- A-11840 Interior mirror, full width 5 panel

Installation is now complete. For questions or comments, contact;



PO BOX 70, 1715 S. Sibley Avenue, Litchfield, MN 55355-0070
Ph: (320) 693-3221 Fax: (320) 693-7252

Website: www.800cabline.com