

INSTALLATION INSTRUCTIONS A-11837 Sunshade Kit



Vehicle set up instructions;

This sunshade is designed to be only used with model year 2010 and newer, Multi-Pro 5800 Sprayer Vehicles equipped with a ROPS. All decals must be installed and legible.

Preparation of machine;

1. Position vehicle on a clean level surface, stop engine, engage parking brake and remove key from ignition switch.
2. Unpack and identify components (**Figure 1**).

Parts list;	ITEM	QTY	DESCRIPTION	CP P/N
	1	2	U-BOLT, 1/2 x 3 x 3.50"	3-19414
	2	4	1/2" NYLOCK NUT	3-10379
	3	8	3/8 x 1.75" LONG, HEX HEAD BOLT	3-10020
	4	13	3/8" FLAT WASHER	3-10086
	5	16	3/8" NYLOCK NUT	3-10073
	6	4	3/8 x 2.00" LONG, HEX HEAD BOLT	3-10221
	7	4	3/8 x .75" LONG, HEX HEAD BOLT	3-10393
	8	14	5/16" NYLOCK NUT	3-10072
	9	10	5/16 x 1.25" LONG, BUTTON HEAD BOLT	3-18324
	10	10	5/16" FENDER WASHER	3-18187
	11	20	5/16" RUBBER GLASS WASHER	3-16217
	12	10	5/16" FLAT WASHER	3-10085
	13	4	3/8 x 3/4" LONG, BUTTON HEAD BOLT	3-17805
	14	1	ROOF, WHITE ABS	3-19501
	15	1	FRONT CROSS MEMBER	2-16608
	16	1	REAR CROSS MEMBER	2-16609
	17	2	REAR MOUNT PLATE	1-47070
	18	2	SIDE TUBE	1-47069
	19	1	LH DECK MOUNT	2-16611
	20	1	RH DECK MOUNT	2-16612

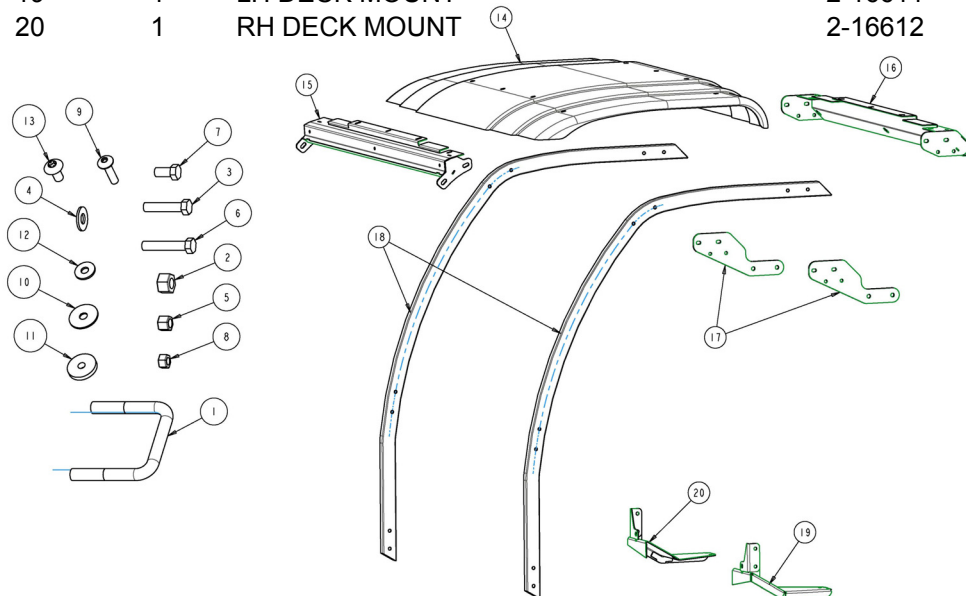


Figure 1

INSTALLATION INSTRUCTIONS

A-11837 Sunshade Kit

Installation of Sunshade Frame;

3. Place rear mount plates onto inside surface of ROPS, near the start of the bend (**Figure 2**).
4. Secure using;
 - (2) 1/2 x 3 x 3.50" U-bolts
 - (4) 1/2" Nylock nuts
5. Attach rear cross member to inside of both rear mount plates (**Figure 2**) and secure using;
 - (4) 3/8 x 3/4" long, hex head bolts
 - (4) 3/8" nylock nuts
6. Attach (1) side tube to LH deck plate (**Figure 3**) and secure using;
 - (2) 3/8 x 1.75" long, hex head bolts
 - (2) 3/8" flat washers
 - (2) 3/8" nylock nuts
7. Repeat Step 6 to attach remaining side tube to RH deck plate.
8. Place side tubes with deck plates onto the machine's deck surface (**Figure 3**).
9. Align upper rear holes of side frame tube with rear mount plate and cross member (**Figure 2**).
Secure connection using;
 - (4) 3/8 x 2.00" long, hex head bolts
 - (4) 3/8" flat washers
 - (4) 3/8" nylock nuts

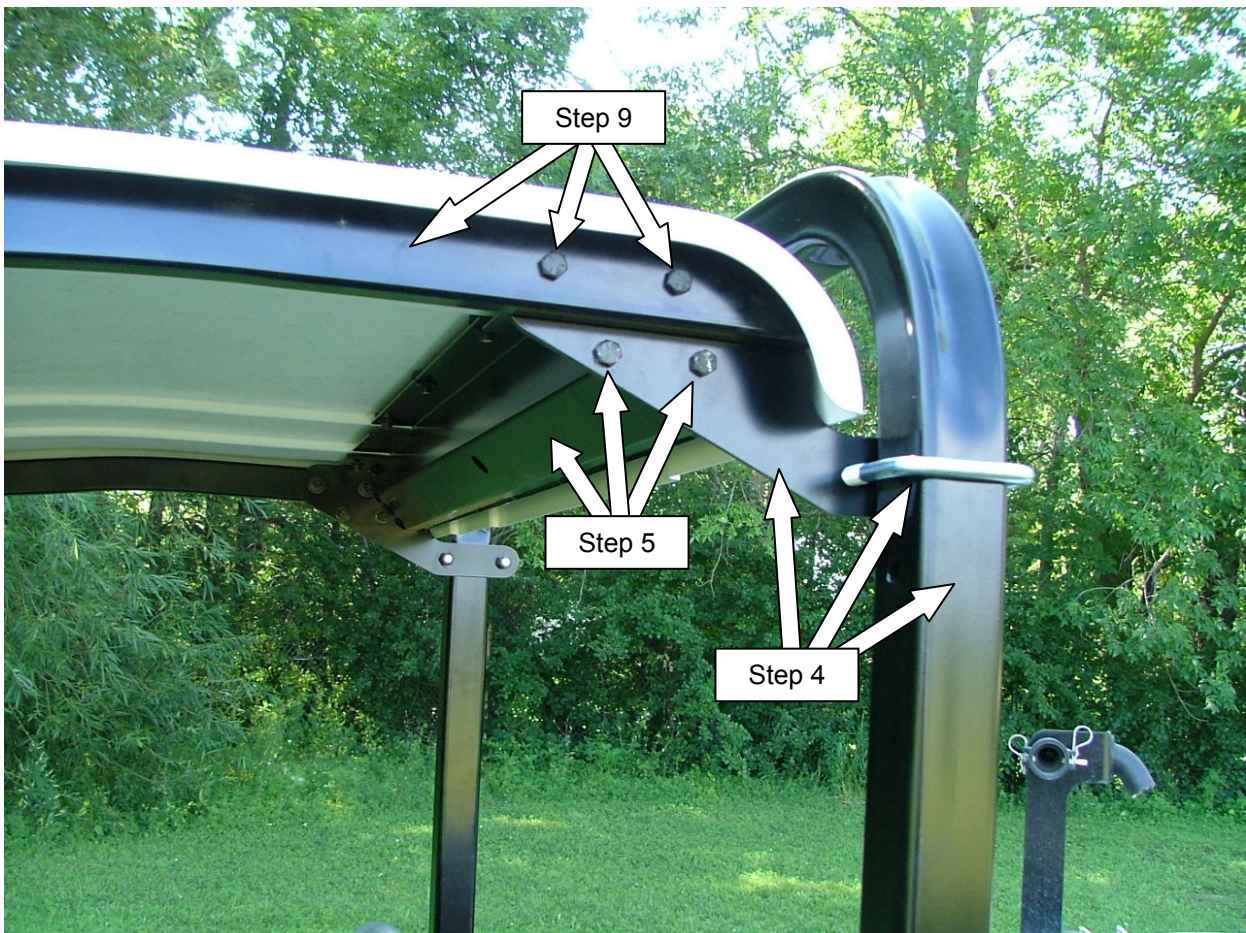


Figure 2

INSTALLATION INSTRUCTIONS

A-11837 Sunshade Kit

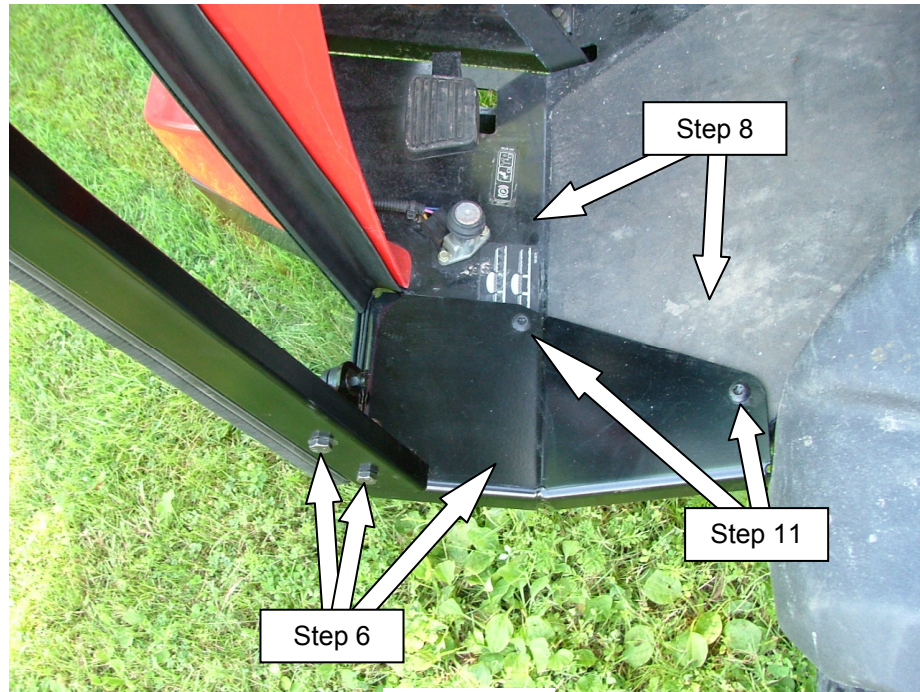


Figure 3

10. Place front cross member inside side frame tubes and secure using (**Figure 4**);
- (4) 3/8 x 1.75" long, hex head bolts
 - (4) 3/8" flat washers
 - (4) 3/8" nylock nuts

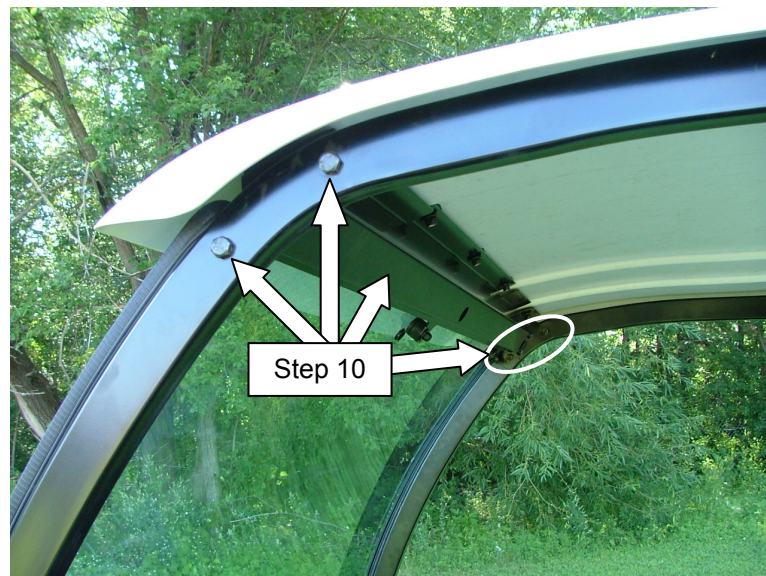


Figure 4

11. Using each deck plate as a jig, transfer-drill (4) 3/8" holes into the machine's floor deck (**Figure 3**) and secure using;
- (4) 3/8 x 3/4" long, button head bolts
 - (4) 3/8" nylock nuts

INSTALLATION INSTRUCTIONS A-11837 Sunshade Kit

12. Align front holes of white roof panel with front cross member holes (**Figures 5 & 6**). Secure using;
 - (5) 5/16 x 1.25" long, button head bolts
 - (5) 5/16" flat washers
 - (5) 5/16" fender washers
 - (10) 5/16" rubber washers
 - (5) 5/16" nylock nuts
13. Align rear holes of white roof panel with rear cross member holes (**Figures 5 & 6**). Secure using;
 - (5) 5/16 x 1.25" long, button head bolts
 - (5) 5/16" flat washers
 - (5) 5/16" fender washers
 - (10) 5/16" rubber washers
 - (5) 5/16" nylock nuts

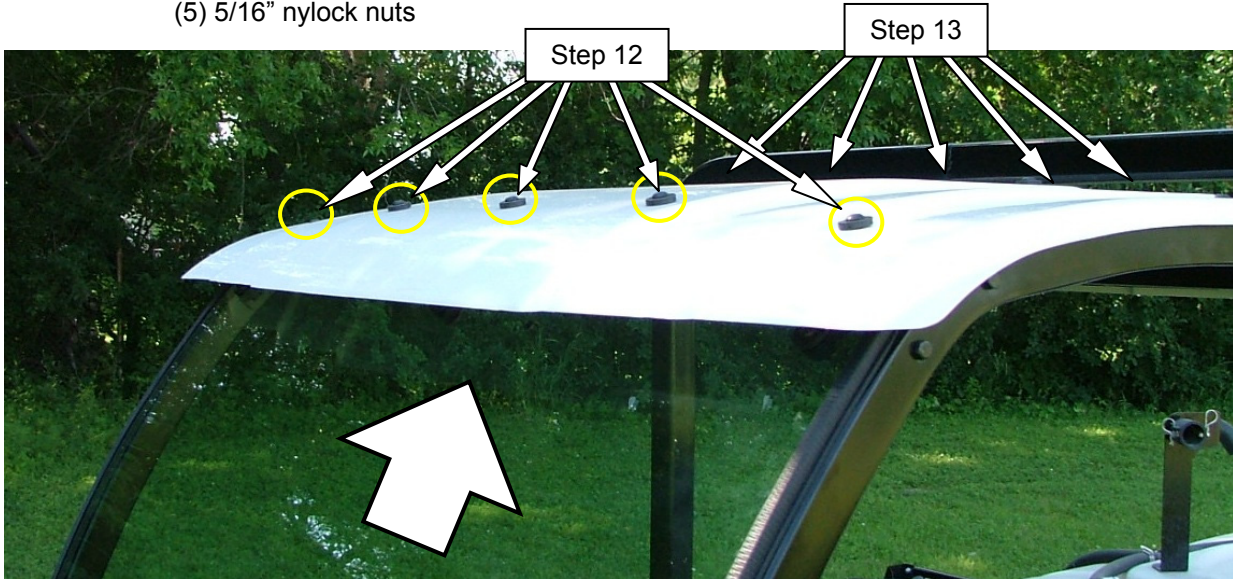


Figure 5

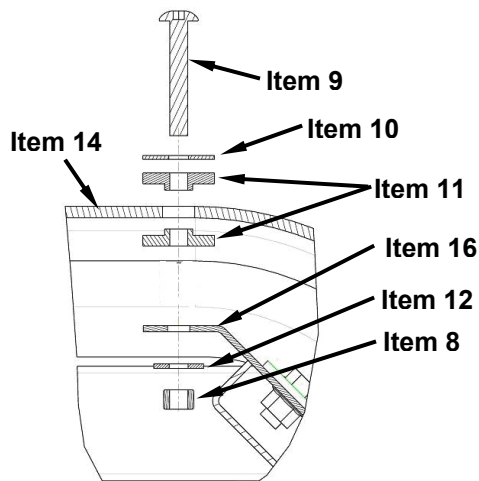


Figure 6

Installation is now complete. For questions or comments, contact;



PO BOX 70, 1715 S. Sibley Avenue, Litchfield, MN 55355-0070
Ph: (320) 693-3221 Fax: (320) 693-7252
Website: www.800cabline.com

05-11070_SUNSHADE_FRAME_A-11837.doc
4/8/2011