

COZYcab™



**A-11718 CAB FRAME WITH
A-11635 BOBCAT ROOF KIT
ON BOBCAT 200 SERIES TRACTOR
(SHOWN WITH OPTIONAL HARD DOORS)**

OPTIONAL ACCESSORIES SOLD SEPARATELY

- A-11636 VINYL SOFT DOORS KIT
- A-11637 HARD DOORS WITH NON-SLIDER WINDOWS KIT
- A-11638 CAB HEADLINER KIT W/ FUSE BLOCK, DOME LIGHT AND WIRE HARNESSSES
- A-11639 WIPER KIT, RADIAL COVERAGE, 12VDC
- A-11640 WIPER KIT, RADIAL COVERAGE, MANUALLY OPERATED
- A-11641 LIGHTS KIT, FRONT MOUNTED, RH AND LH, 12VDC
- A-11642 HEADLINER VENTILATION FAN KIT, 2 FANS
- A-11643 EXTERIOR MIRROR KIT, RH AND LH
- A-11644 HEATER KIT, 12VDC, 15,000 BTU
- A-11645 SLIDER WINDOWS FOR DOORS KIT A-11637
- A-11646 WARNING AMBER STROBE LIGHT, 12VDC
- A-11647 JENSEN HD RADIO AND SPEAKERS KIT
- A-11648 STANDARD 7" FAN KIT, 12VDC

Manufactured by:



BOX 70 • LITCHFIELD, MINNESOTA 55355-0070
(320) 693-3221 Fax: (320) 693-7252
www.800cabline.com

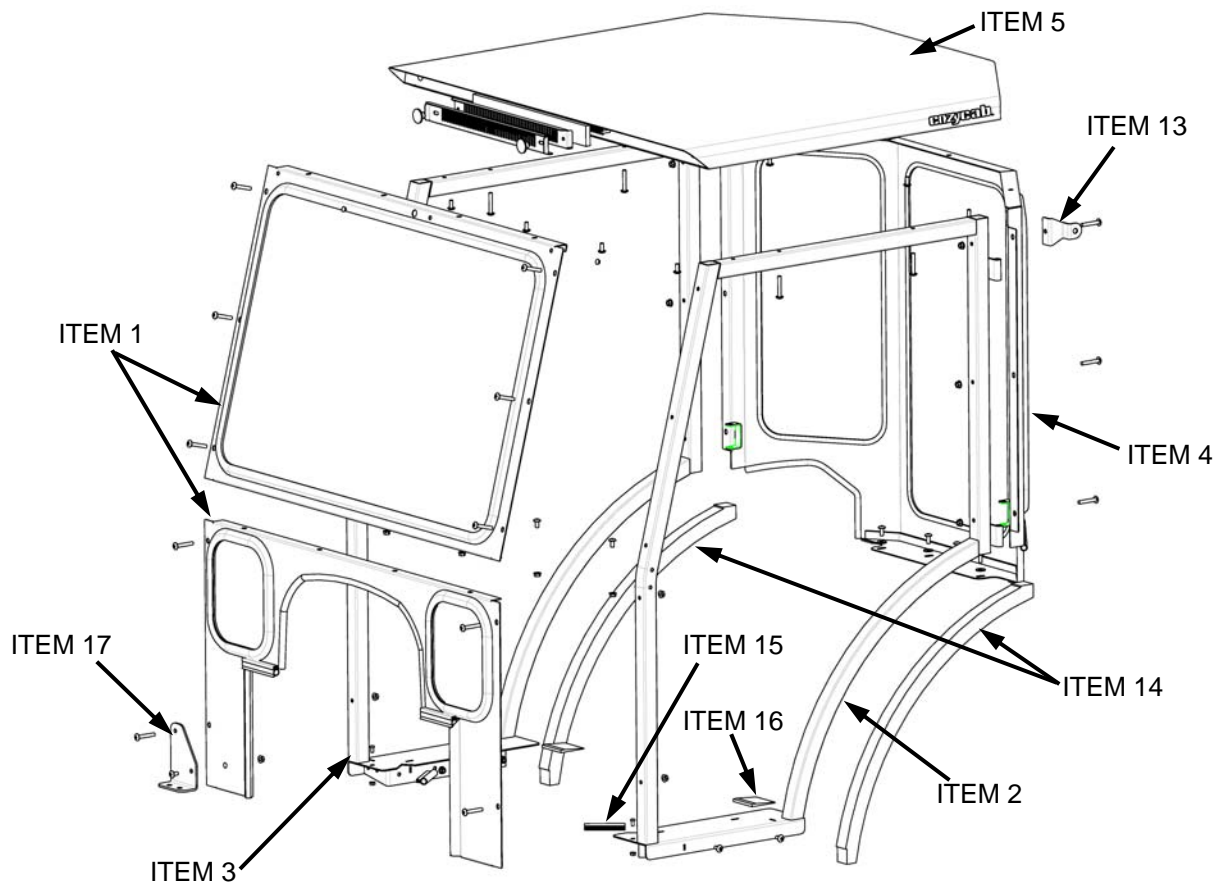
05-10798
May 26, 2009

CAB FRAME MOUNTING INSTRUCTIONS

Before you begin, read these instructions and check to be sure all parts and tools are accounted for. Please retain these instructions for future reference and parts ordering information.

Kit Components:

ITEM	QTY	PART NO.	DESCRIPTION
1	1	4-15323	FRONT WINDOW, UPPER AND LOWER HOOD SEAL ASSEMBLIES
2	1	2-16435	LH SIDE FRAME
3	1	2-16436	RH SIDE FRAME
4	1	4-15325	REAR WINDOW ASSEMBLY
5	1	A-11635	ROOF ASSEMBLY (BOBCAT A-11635)
6	1	4-15330	HARDWARE KIT CONSISTS OF;
7	16	3-18796	5/16-18NC x 2.00" LONG, BUTTON HEAD BOLTS
8	27	3-17111	5/16-18NC FLANGE NUTS
9	18	3-18503	5/16-18NC x 3/4" LONG, BUTTON HEAD BOLTS
10	6	3-18797	5/16-18NC x 2.50" LONG, BUTTON HEAD BOLTS
11	4	3-10123	M8 x 25MM, HEX BOLTS
12	4	3-10085	5/16" FLAT WASHERS
13	2	1-46238	BRACKET, REAR LIGHT REMOUNT
14	2	3-17465	FOAM FENDER SEAL, 1-1/2" SQUARE x 45" LONG
15	2	3-10610	BUBBLE RUBBER, CLIP-ON, 3-7/8" LONG
16	2	3-18467	FLAP SEAL, PSA BACK, 3.00" LONG
17	1	1-46444	HYDRAULIC REMOUNT BRKT (NOT USED ON BOBCAT 200 SERIES)
18	1	05-10798	MOUNTING INSTRUCTIONS FOR A-11635
19	2	3-19266	WIRE HARNESS EXTENSION FOR REAR FLASHER LIGHT



PARTS I.D. AND GENERAL LAYOUT

05-10798
May 26, 2009

CAB FRAME MOUNTING INSTRUCTIONS

Installation tools: Standard and Metric Socket Sets, (2) C-Clamps

Important: Perform all steps correctly and in sequence.

Installation of Cab Frame

1. Park tractor on level surface.
2. Remove rear lights from roll bar.
3. Remove platform steps from each side of tractor.
4. Remove tool box and slow moving vehicle sign from rear support plate, located behind tractor seat.
5. Place rear window assembly behind tractor seat onto top rear support plate. Secure using (4) 8mm x 25mm long hex head bolts with (4) 5/16" flat washers. See figure 1.

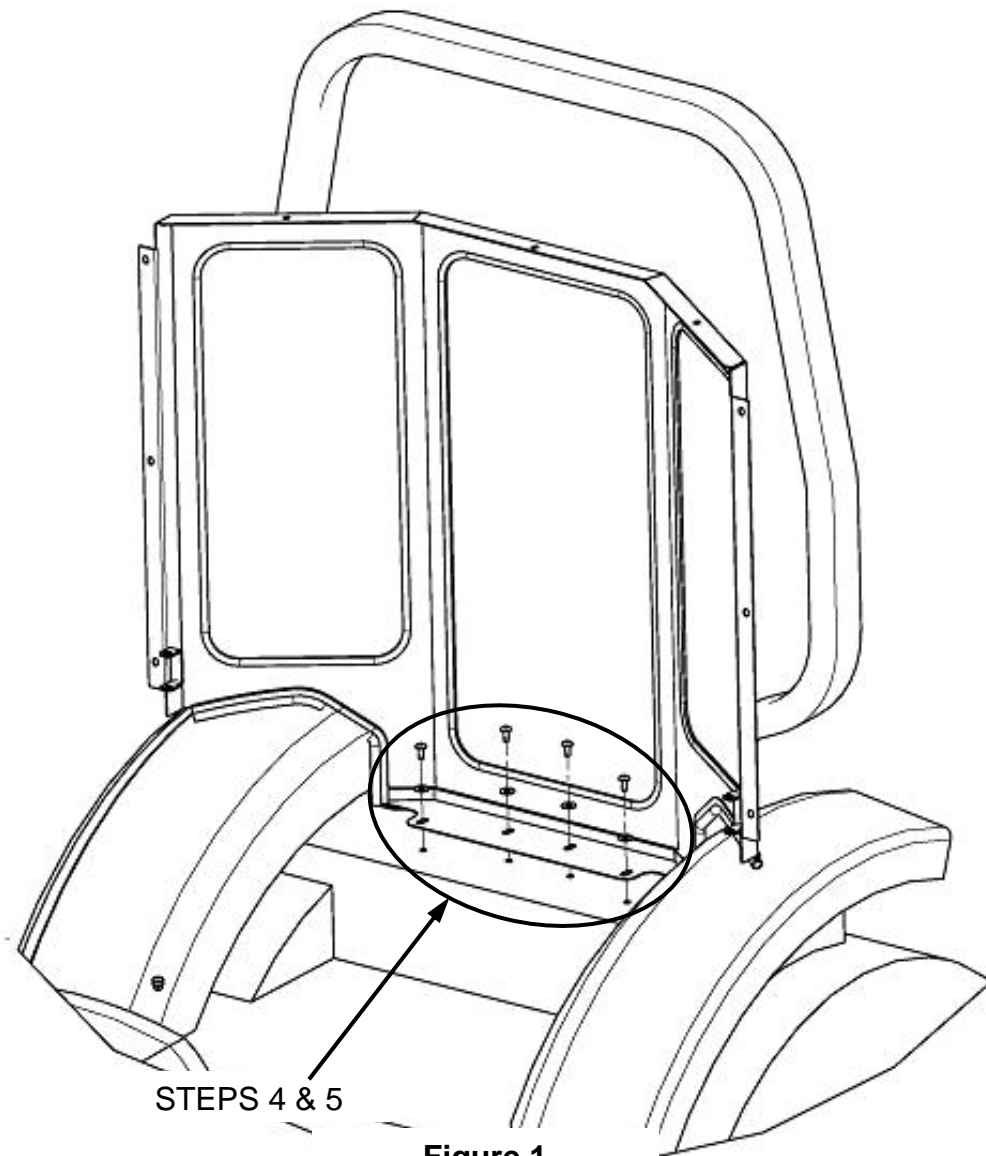


Figure 1
(Seat not shown)

CAB FRAME MOUNTING INSTRUCTIONS

6. Apply 1-1/2" square x 45" long foam seal to the underside radius of each side frame. Trim excess material. See figure 2.
7. Position the plate portion of LH side frame onto tractor platform deck. See figure 2.
8. Secure rear of LH side frame, (1) rear light remount bracket and rear panel assembly, using (3) 5/16" x 2.00" long button head bolts and (3) 5/16" flange nuts. Repeat step to mount RH side frame. See figure 2.

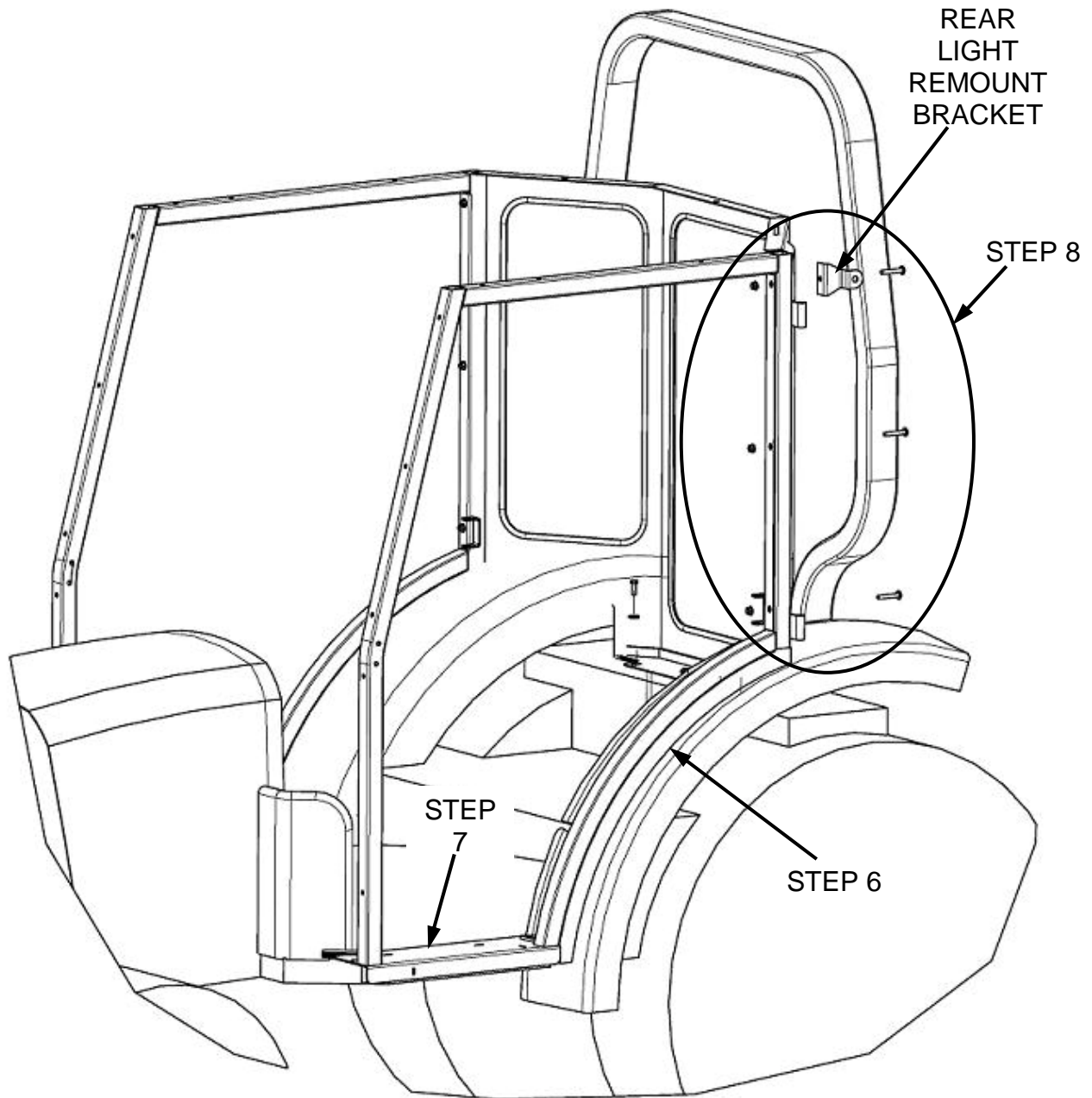


Figure 2

CAB FRAME MOUNTING INSTRUCTIONS

9. Place front lower hood seal assembly onto hood and secure assembly to front of side frame. Secure using (2) 5/16" x 2.00" long button head bolts and (2) 5/16" flange nuts, to each side frame. See figure 3.
10. Secure bottom of front lower hood seal assembly to bottom of each side frame deck plate using (2) 5/16" x 3/4" long button head bolts and (2) 5/16" flange nuts.
11. Secure front upper window assembly to side frames using (3) 5/16" x 2.00" long button head bolts and (3) 5/16" flange nuts on each side. See figure 3.

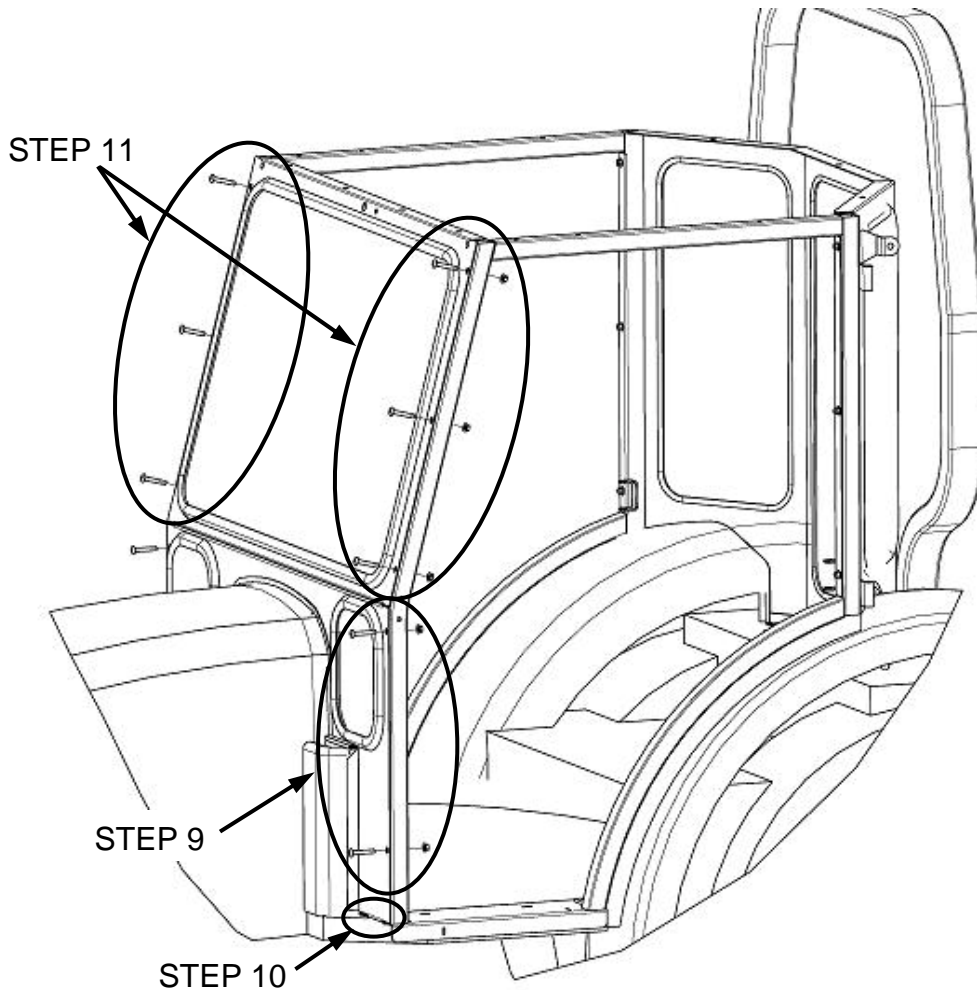
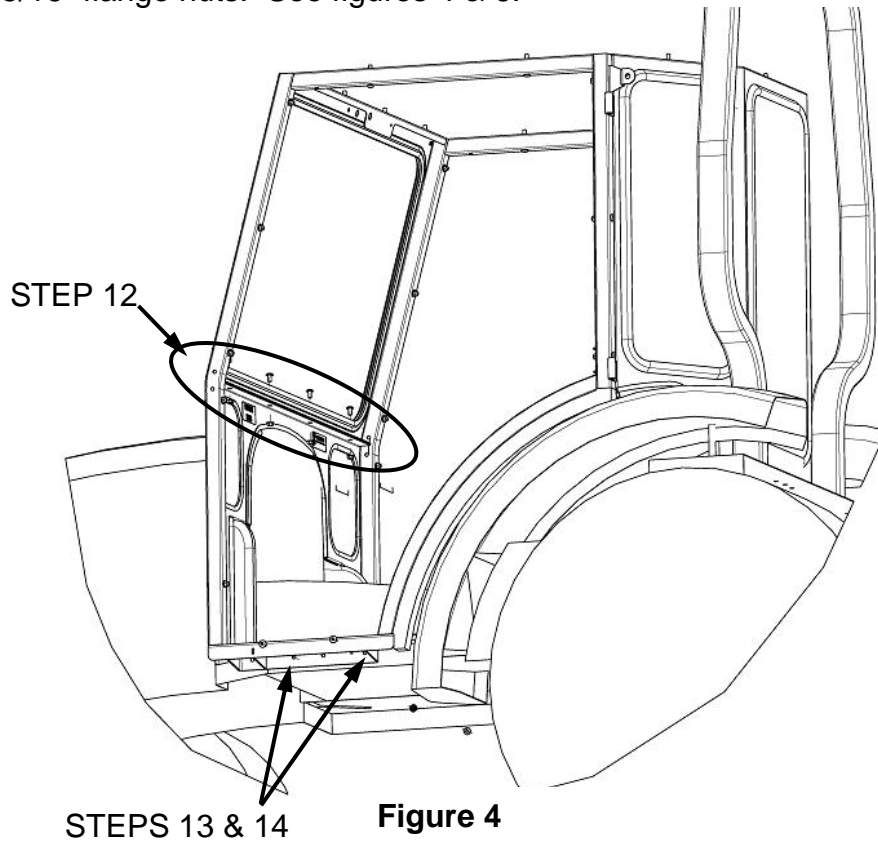


Figure 3

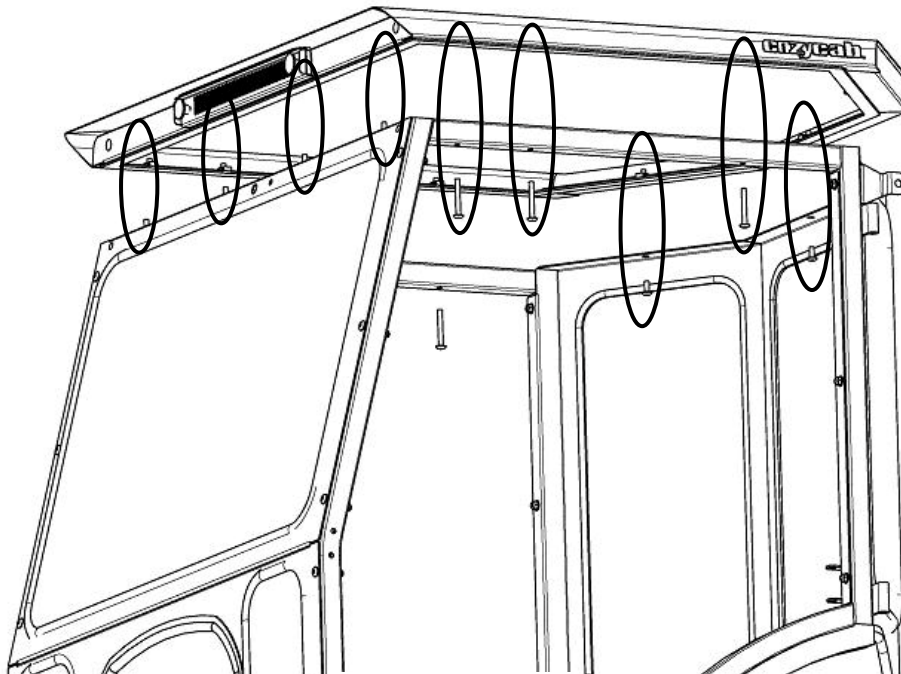
12. Secure front upper and front lower assemblies together using (4) 5/16" x 3/4" long button head bolts and (4) 5/16" flange nuts. See figure 4.
13. To get a proper seal around hood to front panel, apply pressure using clamps to secure side frame deck plates downward and inward onto operator's platform. Using the side frame deck plates, mark-transfer-drill (2) 3/8 diameter holes into each side of the tractor's floor deck as shown in figures 4 & 6. **Important: Select holes that do not interfere with deck side plate gussets!**

CAB FRAME MOUNTING INSTRUCTIONS

- Secure each side frame to tractor floor deck using (2) 5/16" x 3/4" button head bolts and (2) 5/16" flange nuts. See figures 4 & 6.



- Place roof assembly onto cab frame, installing hardware from bottom inside of cab. Secure roof front and rear using (7) 5/16" x 3/4" button head bolts and to side frames using (6) 5/16" x 2.50" long button head bolts. See figure 5.



CAB FRAME MOUNTING INSTRUCTIONS

16. Re-attach rear flasher lights to remount brackets reusing same hardware.
17. Using wire extension harness, reconnect rear flasher lights.
18. Remount platform steps to each side of cab reusing the same hardware from step 3. See figure 6.

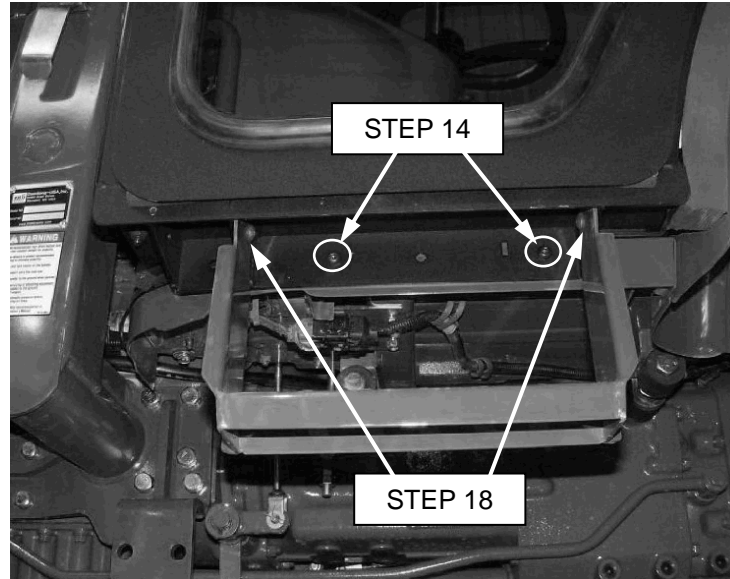


Figure 6

19. Apply PSA backed foam seal to location shown below in figure 7.
20. Apply 180 degree clip-on bubble rubber at location shown below in figure 7.



Figure 7

21. Item 17, hydraulic remount bracket will not be used on Bobcat 200 Series cabs.