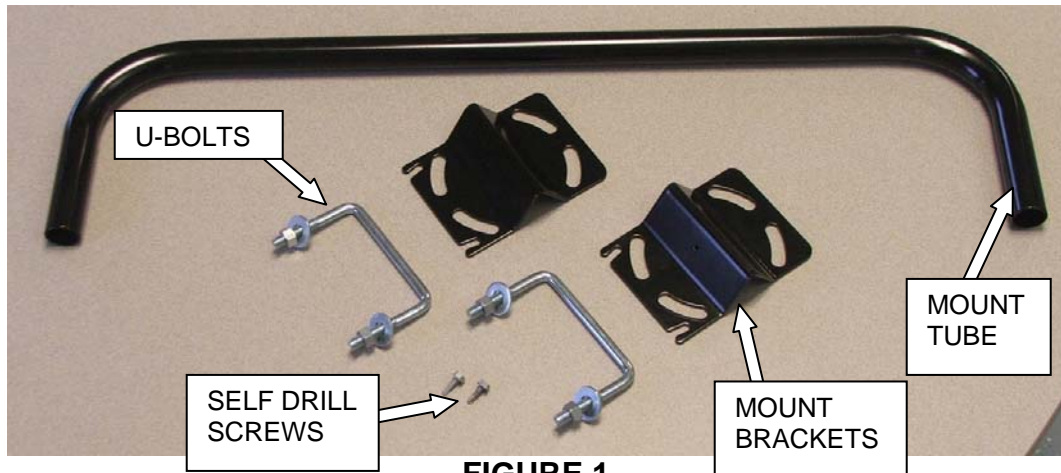


# Folding Bimini Sunshade for 2-Post Roll Bar

## A-11505 & A-11506

### THE BIMINI SUNSHADE

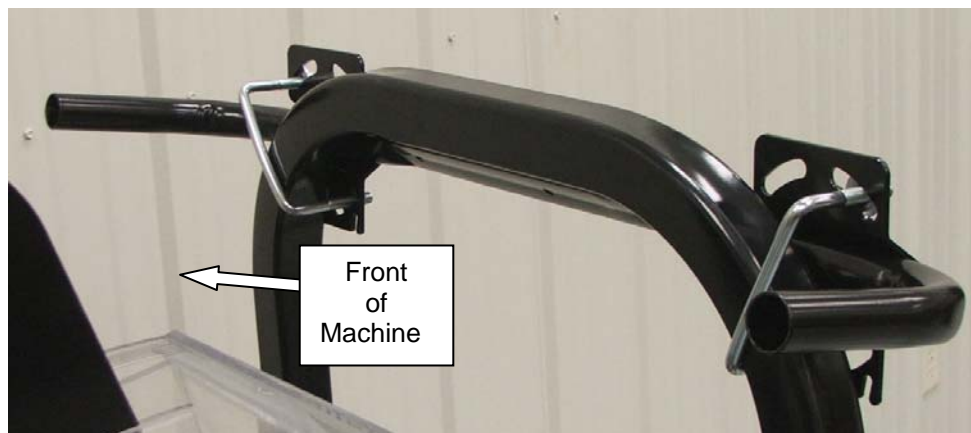
The Bimini Sunshade fits various roll bars measuring 1-1/2 square to 3x2 inches and a width range of 18-24 inches. DO NOT allow children to operate the vehicle. Do not allow adults to operate vehicle without proper instructions. Keep all shields and safety devices in place. If a safety device, shield or decal malfunctions, becomes damaged or illegible, replace it before operation is commenced. To assure vehicle is in safe operating condition, tighten loose nuts, bolts and screws.



**FIGURE 1**

### ASSEMBLE THE BIMINI MOUNT

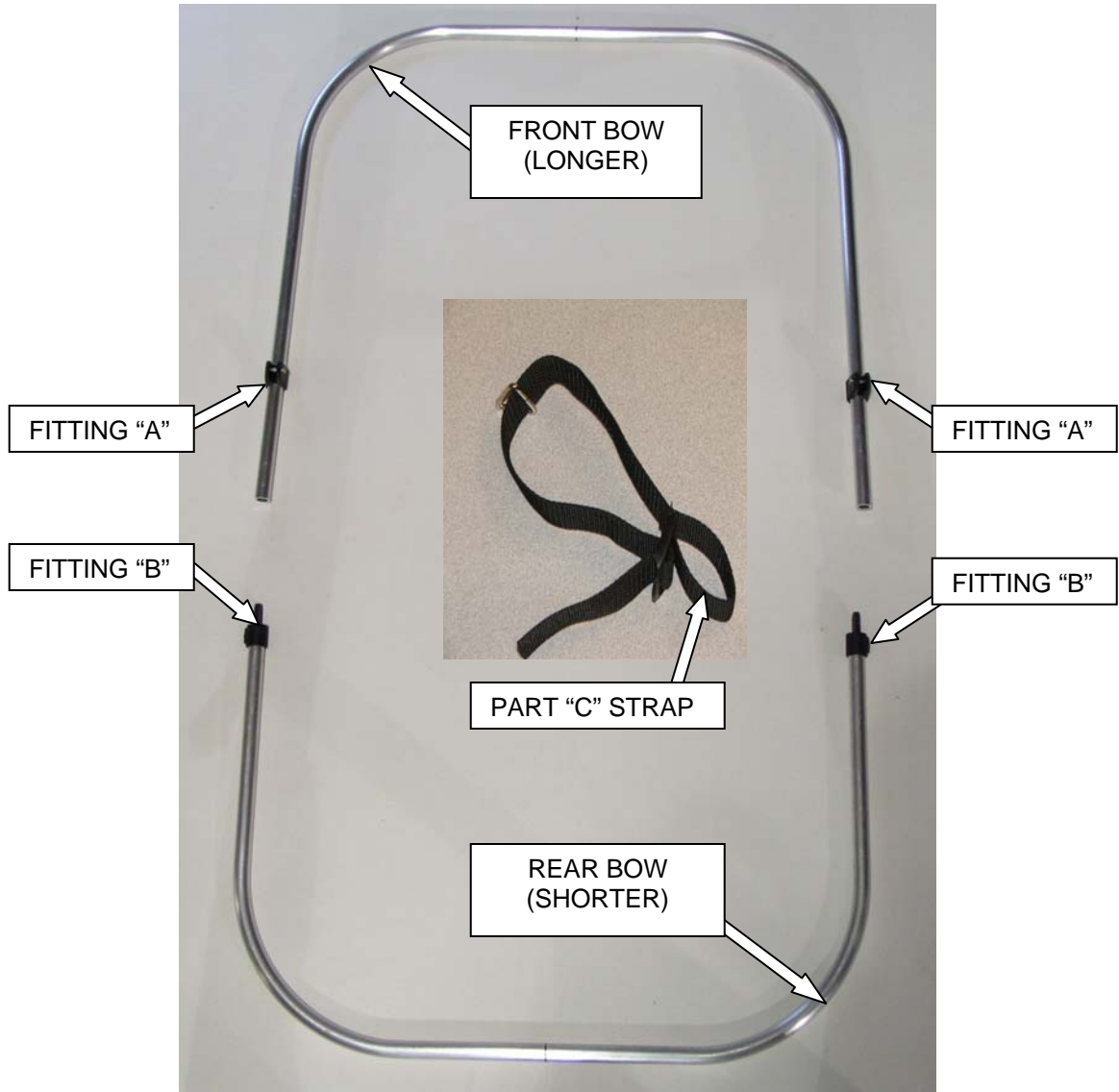
1. Remove contents from box and lay out the pieces shown in figure 1.
2. Park unit on level surface and engage parking brake.
3. Assemble on each side (1) Mount Bracket with (1) U-bolt, (2) flat washers and (2) Nylock nuts. Orientate Mount Bracket to extend towards front of machine (see figure 2).
4. Assemble Mount Bracket on vertical, horizontal, or radius portion of tube. For stability keep brackets as far apart as possible. Tighten bolts but leave loose enough for some up/down adjustment if needed later in the assembly process.



**FIGURE 2**

MANUFACTURED BY:





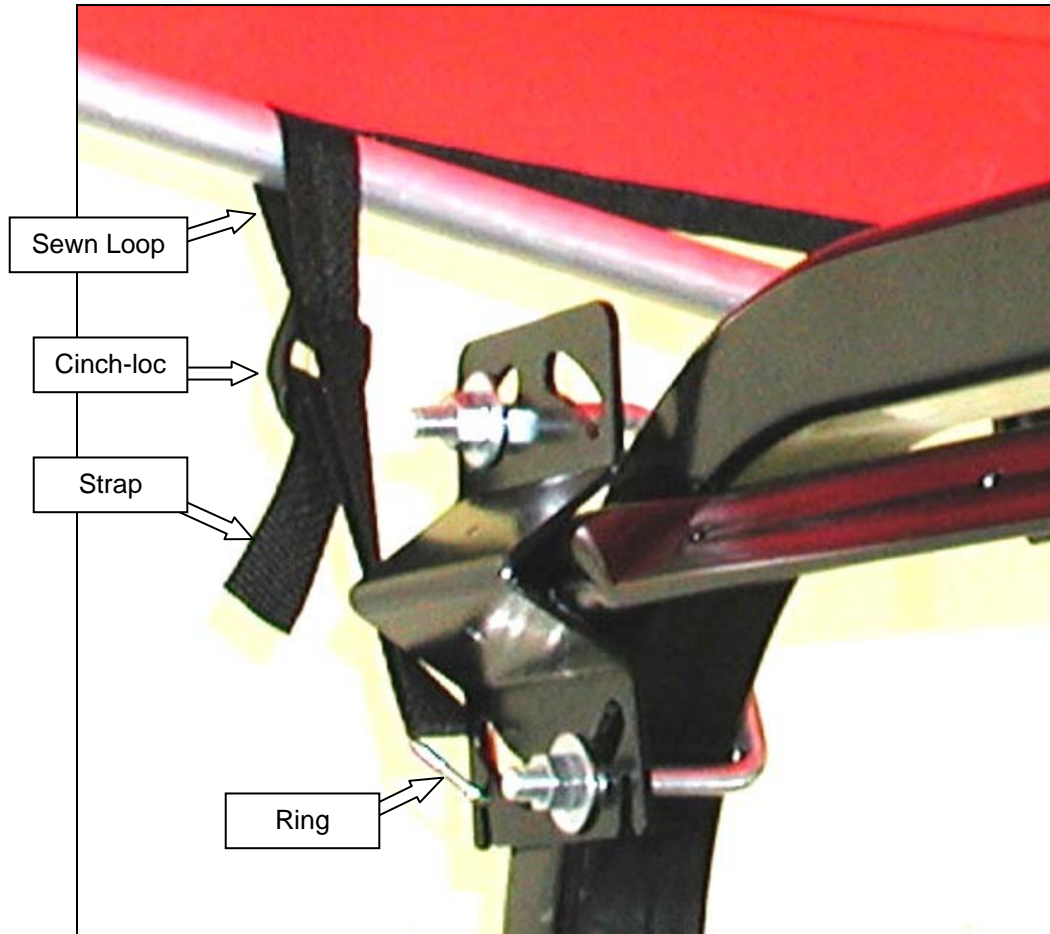
**FIGURE 3**

**ASSEMBLE THE BIMINI SUNSHADE**

1. Lay out the pieces shown in figure 3.
2. Unfold canvas and lay on flat surface with the sewn pocket side facing up.
3. Find the front of the Bimini canvas (the tag(s) will be at the back) and slide the front bow through the front pocket with the plastic fitting (A) pointing up.
4. Slide the rear bow through the rear pocket in the Bimini canvas.

MANUFACTURED BY:





**FIGURE 4**

5. Take the straps (C) and slide the sewn loops with the cinch-loc on to the ends of the rear bow just past the fittings (B).
6. Remove screw from fitting (A). Align holes on fittings (A) and (B) and re-install screw.
7. Route strap thru triangular metal ring.
8. Route strap thru open slot in cinch-loc and then back thru cinch-loc slot with serrated edge.

MANUFACTURED BY:

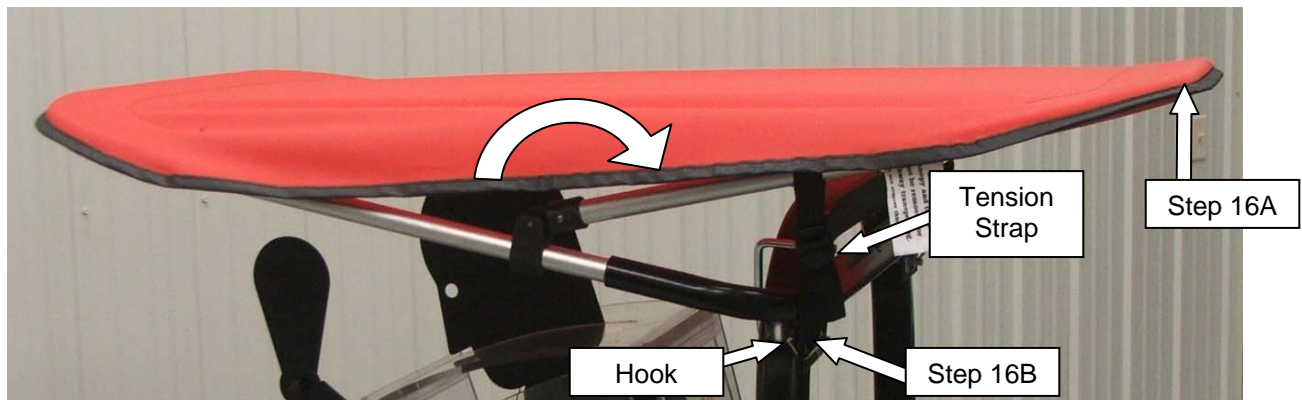


**MOUNTING THE BIMINI SUNSHADE**

9. Position assembly to have folding portion facing up as shown in figure 5.
10. Insert formed aluminum tubes with fabric into the mount tube.
11. Lightly push tubing to verify that assembly is seated completely in mount tube.



**FIGURE 5**



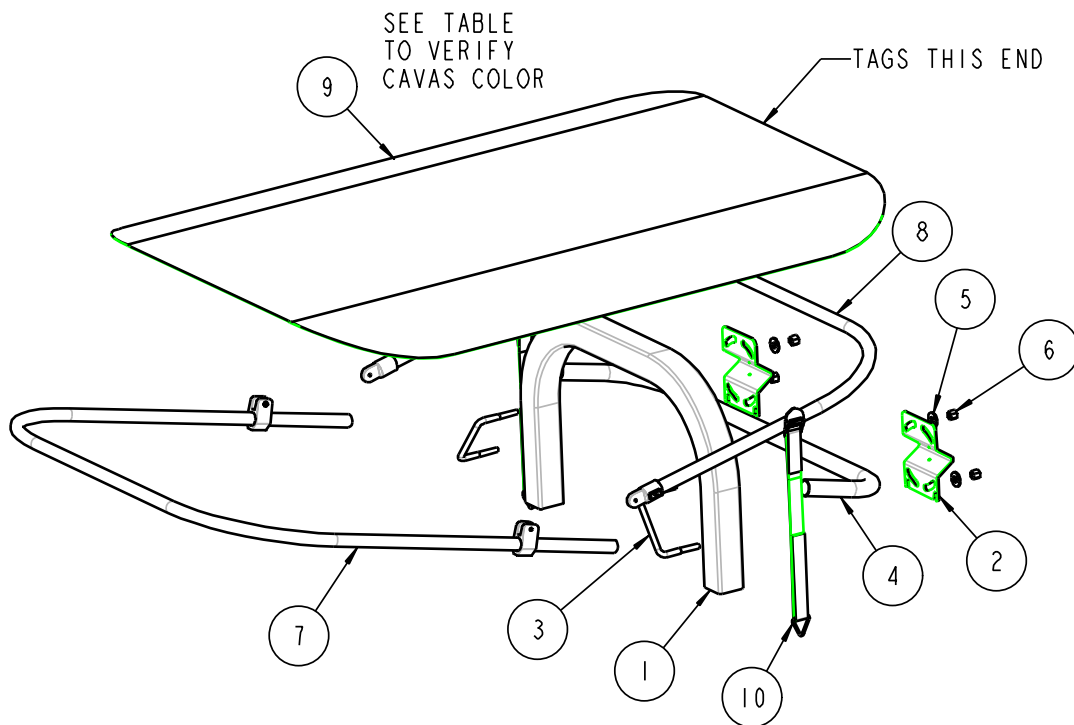
**FIGURE 6**

12. Unfold fabric, hook ring onto mount brackets, and adjust tension straps until bimini fabric tightens.
13. View the front and back to make sure the Bimini looks centered and level on machine.
14. Tighten U-bolts and install self-drilling screws thru hole in mount bracket into tube to secure.
- 15. Important! The Bimini Sunshade is not designed for highway speeds. Remove the Bimini Sunshade and aluminum tubes for highway transport.**
16. Recommended Bimini removal process: A) Apply downward force on rear of Bimini. B) With tension temporarily relieved on strap unhook ring. When ring and strap are loose from hook, fold fabric over and pull assembly from mounting brackets

MANUFACTURED BY:



BOX 70 • LITCHFIELD, MINNESOTA 55355  
(320) 693-3221 Fax: (320) 693-7252  
1-800-222-5463 [www.800cabline.com](http://www.800cabline.com)



SCALE 0.125

## A-11505

ITEM #	DESCRIPTION	QTY
1	HOOP_SAMPLE	1
* 2	3-18748_MTG_BRKT	2
* 3	3-18724_U-BOLT_SQ_3X4	2
* 4	1-45116_MTG_HOOP_21299	1
* 5	3-10086_375_WASHER	4
* 6	3-10073_375_NYLOCK	4
7	3-18638_TUBE_FRONT_HINGED	1
8	3-18641_TUBE_REAR_HINGED	1
9	3-18643_COVER_FABRIC_RED	1
* 10	3-18644_STRAP_ASM	2
11	3-18645_BOX_36X2X36	SEE BOM
* 12	3-16265_BAG_10X12_ZIPLOCK	SEE BOM
13	05-10675_LABEL_BOX	1
* 14	05-10676_MTG_INSTRUCTIONS	SEE BOM

## A-11506 SPECIFIC PARTS

9	3-18642_COVER_FABRIC_GRAY	1
13	05-10674_LABEL_BOX	SEE BOM

\* PARTS INCLUDED IN MOUNTING KIT