

Folding Bimini Sunshade for 2-Post Roll Bar

A-11434, A-11455, A-11464, A-11481, A-11495, A-11496, A-11634,
A-11855, A-11856, A-11857

THE BIMINI SUNSHADE

The Bimini Sunshade fits various roll bars measuring 2x2 and 3x2 inches square and width ranges of 25-29 inches and 29-34 inches (narrow style) and 34-38 inches and 38-43 inches (wide style). DO NOT allow children to operate the vehicle. Do not allow adults to operate vehicle without proper instructions. Keep all shields and safety devices in place. If a safety device, shield or decal malfunctions, becomes damaged or illegible, replace it before operation is commenced. To assure vehicle is in safe operating condition, tighten loose nuts, bolts and screws.

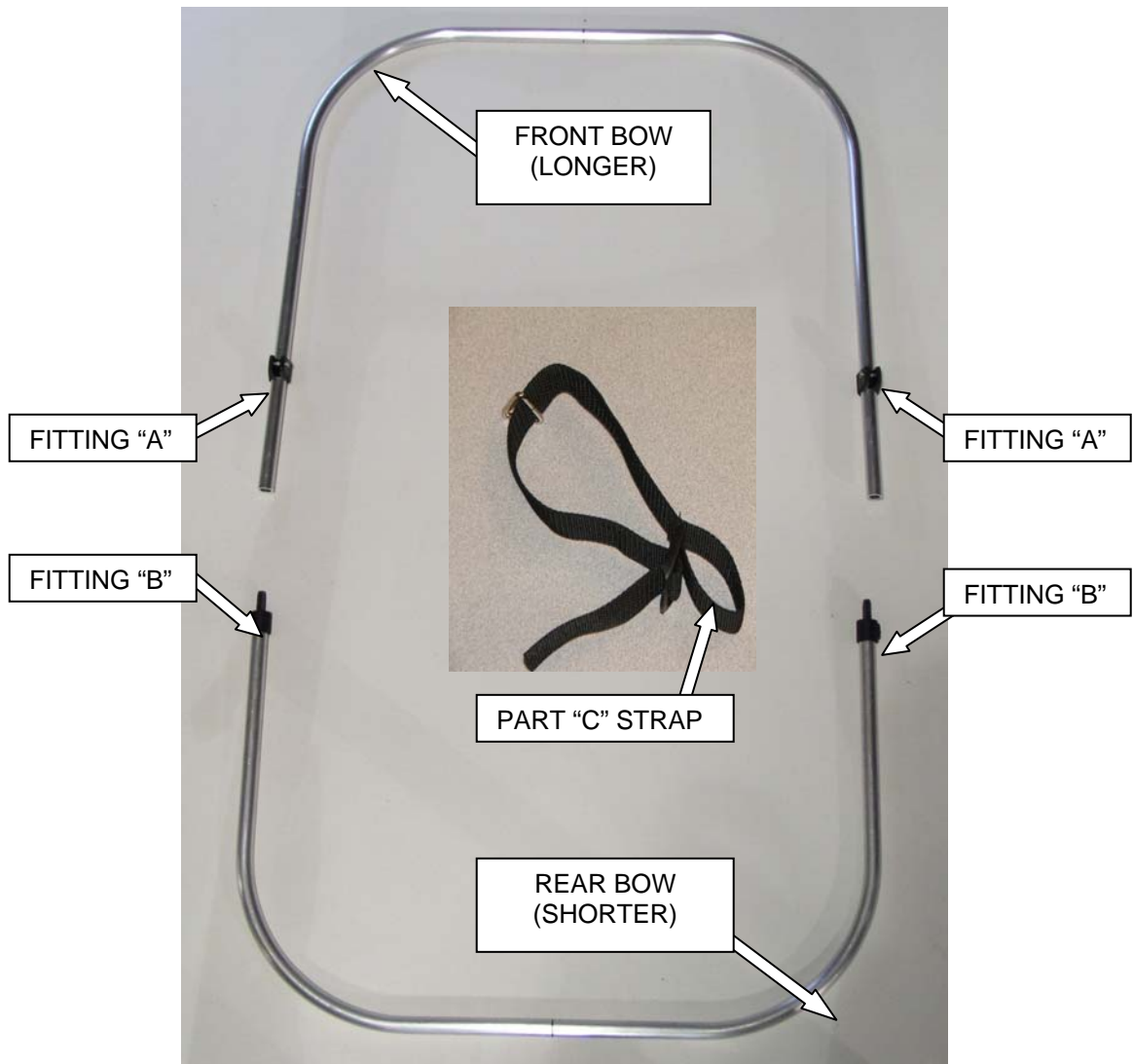


FIGURE 1

MANUFACTURED BY:



05-10627
June 10, 2010

ASSEMBLE THE BIMINI SUNSHADE

1. Remove contents from box and lay out the pieces shown in figure 1.
2. Unfold canvas and lay on flat surface with the sewn pockets side facing up.
3. Find the front of the Bimini canvas (the tag(s) will be at the back) and slide the front bow through the front pocket with the plastic fitting (A) pointing up.
4. Slide the rear bow through the rear pocket in the Bimini canvas.
5. Take the straps (C) and slide the sewn loops with the cinch-loc on to the ends of the rear bow just past the fittings (B).
6. Remove screw from fitting (A). Align holes on fittings (A) and (B) and re-install screw.
7. Route strap thru triangular metal ring.
8. Route strap thru open slot in cinch-loc and then back thru cinch-loc slot with serrated edge.

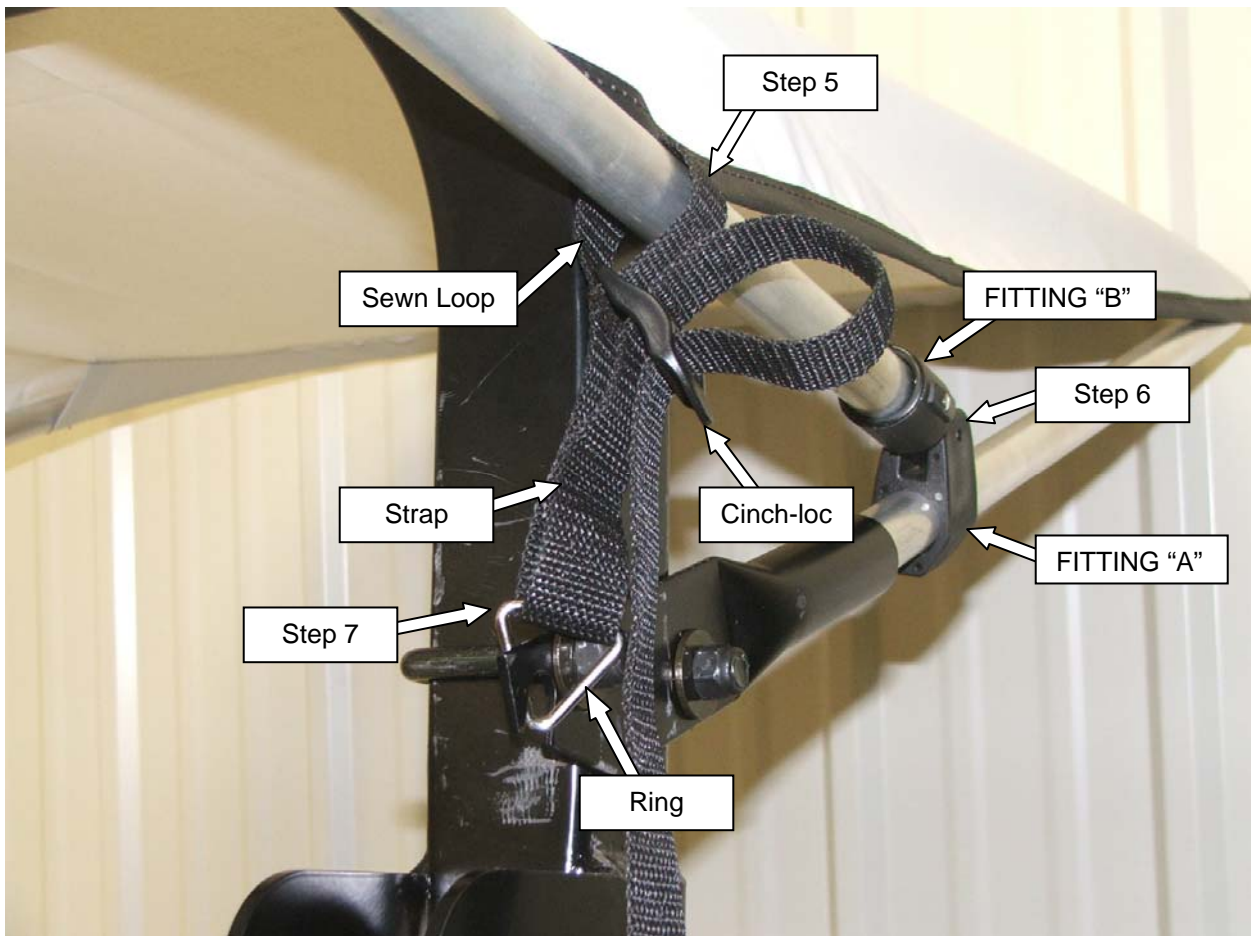


FIGURE 2

MANUFACTURED BY:



05-10627
June 10, 2010

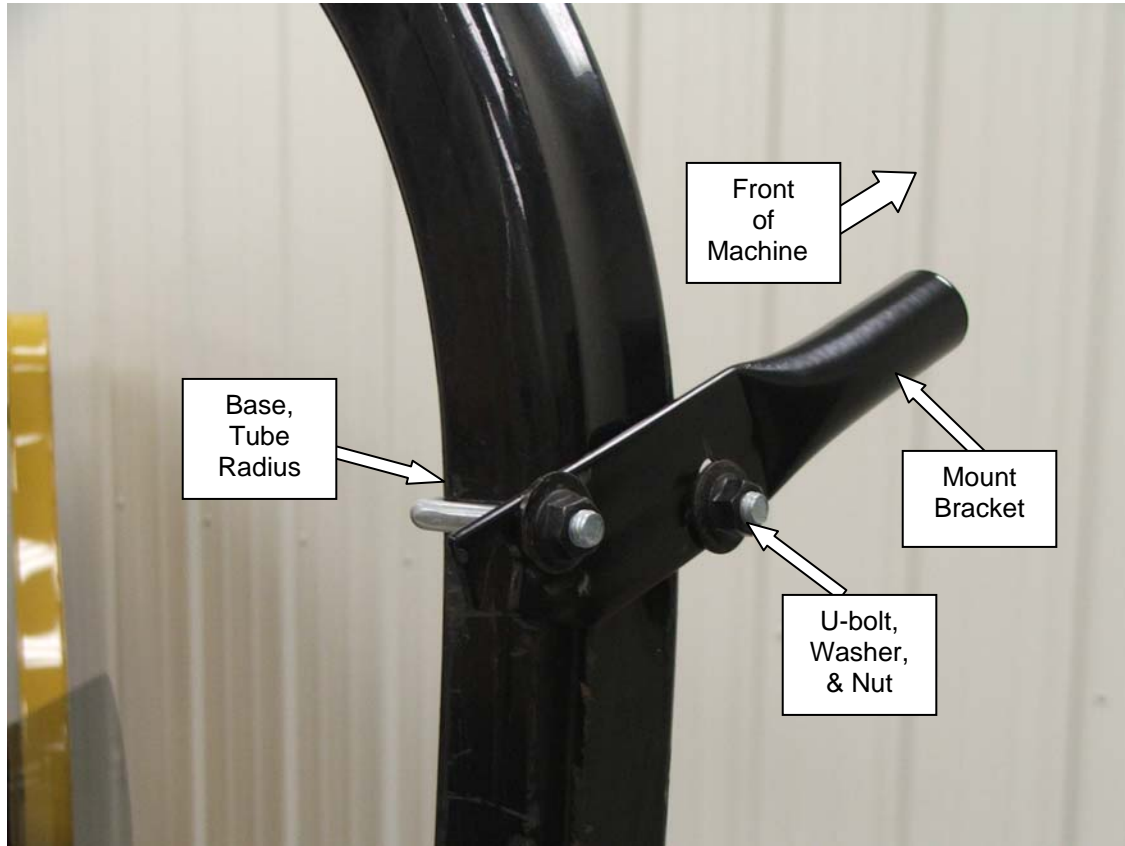


FIGURE 3

MOUNTING THE BIMINI SUNSHADE

9. Park unit on level surface and engage parking brake.
10. Assemble on each side (1) Mount Bracket with (1) U-bolt, (2) flat washers and (2) nuts.
Orientate Mount Bracket to extend towards front of machine (see figure 2).
11. Assemble Mount Bracket at the base of the tube radius. Tighten bolts but leave loose enough for some up/down adjustment if needed later in the assembly process.
12. Position assembly to have folding portion facing up as shown in figure 4.
13. Insert formed aluminum tubes with fabric into the mount brackets (see figure 4).
14. Lightly push tubing to verify that assembly is seated completely in mount brackets (see figure 4).

MANUFACTURED BY:



05-10627
June 10, 2010

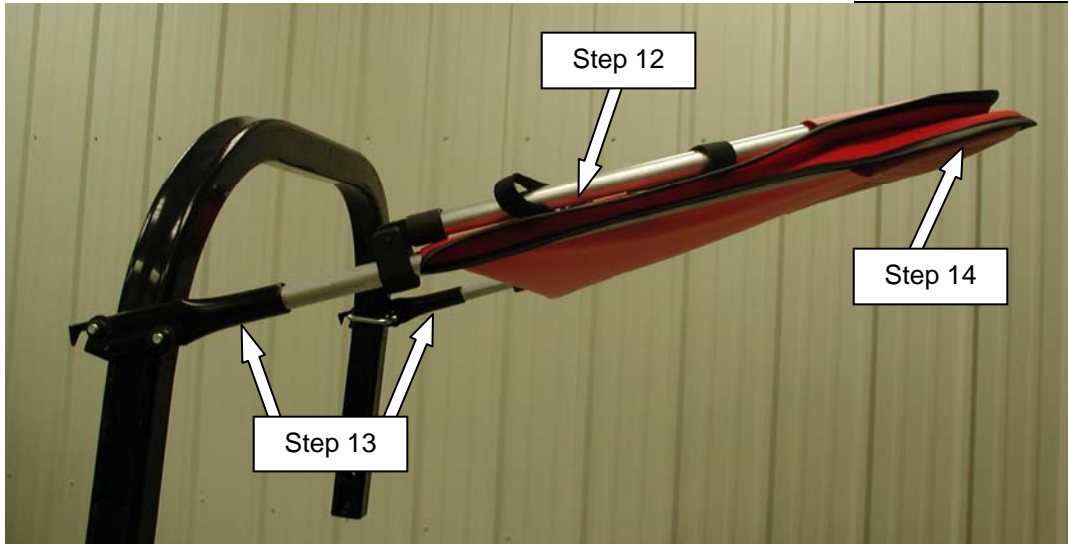


FIGURE 4

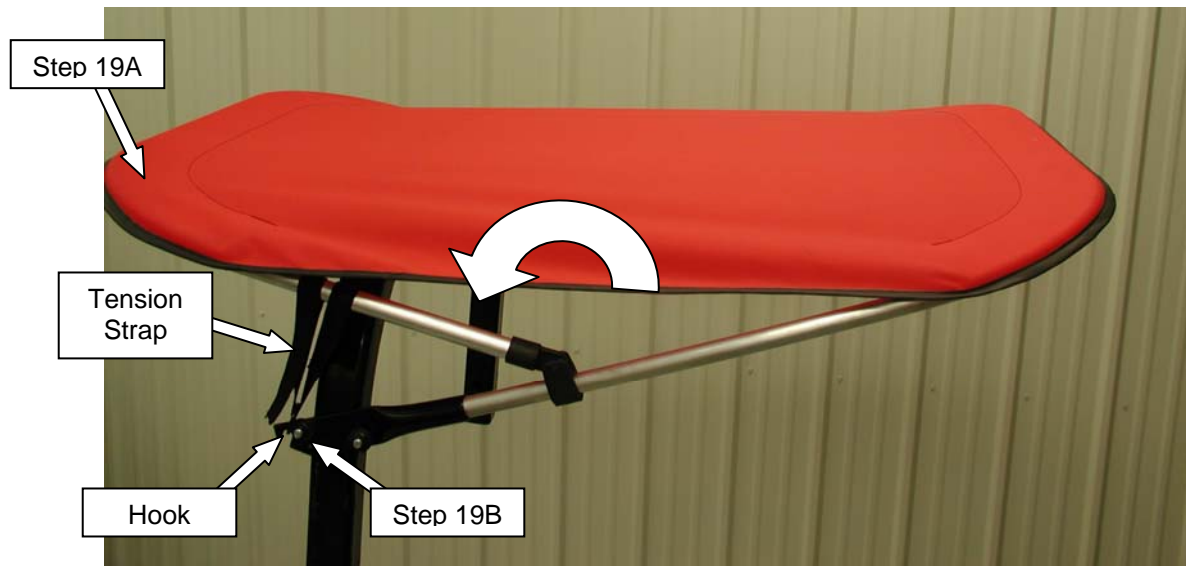


FIGURE 5

15. Unfold fabric, hook ring onto mount brackets, and adjust tension straps until bimini fabric tightens.
16. View the front and back to make sure the Bimini looks centered and level on machine.
17. Tighten hardware on U-bolts-mount brackets.
18. **Important! The Bimini Sunshade is not designed for highway speeds. Remove the Bimini Sunshade and aluminum tubes for highway transport.**
19. Recommended Bimini removal process:
 - A) Apply downward force on rear bow of Bimini.
 - B) With tension temporarily relieved on strap, unhook rings. When rings and straps are loose from hooks, fold fabric over and pull assembly from mounting brackets.

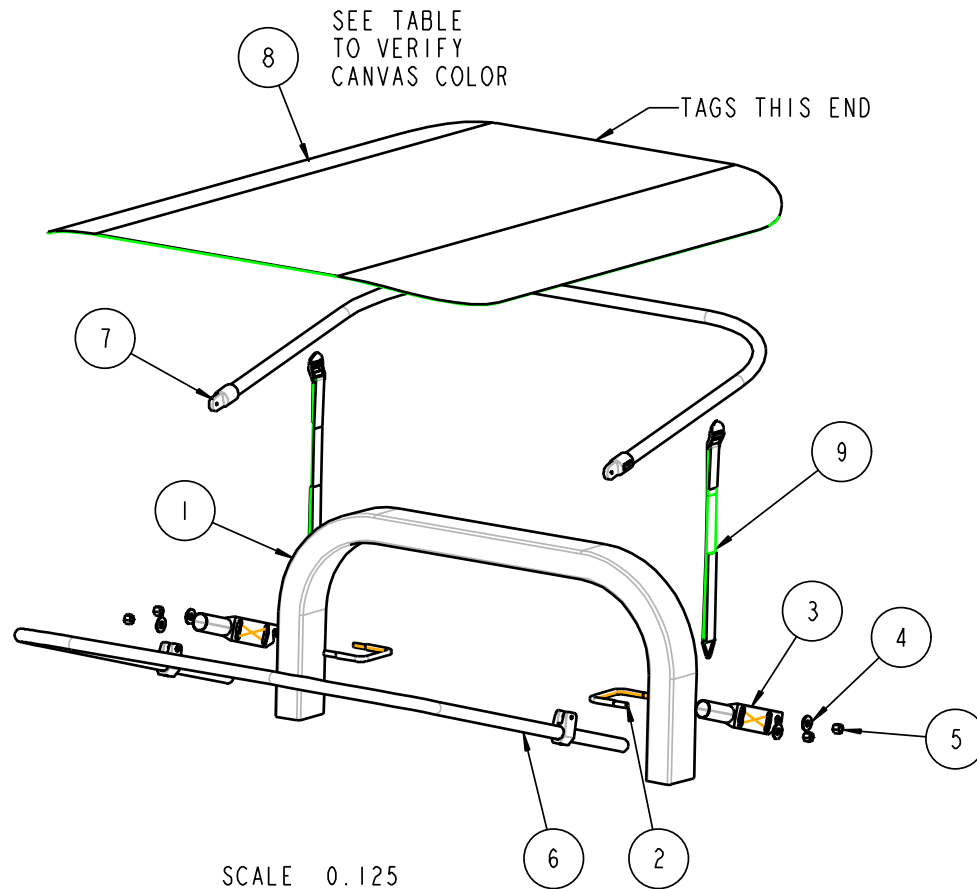
MANUFACTURED BY:



BOX 70 • LITCHFIELD, MINNESOTA 55355
(320) 693-3221 Fax: (320) 693-7252
1-800-222-5463 www.800cabline.com

PARTS MANUAL

3" X 2" TUBE, 29" - 34" WIDE



A-11464

ITEM #	DESCRIPTION	QTY
1	REF_UPPER_TUBE_3_INCH	1
* 2	3-18482_U-BOLT	2
* 3	3-18633_TUBE_MTG_3_INCH	2
* 4	3-10086_375_WASHER	4
* 5	3-10073_375_NYLOCK	4
6	3-18638_TUBE_FRONT_HINGED	1
7	3-18641_TUBE_REAR_HINGED	1
8	3-18643_COVER_FABRIC_RED	1
* 9	3-18644_STRAP_ASM	2
10	3-18645_BOX_36X2X36	SEE BOM
11	05-10617_LABEL_BOX	SEE BOM
* 12	3-16265_BAG_10X12_ZIPLOCK	SEE BOM
* 13	05-10627_MTG_INSTRUCTIONS	SEE BOM

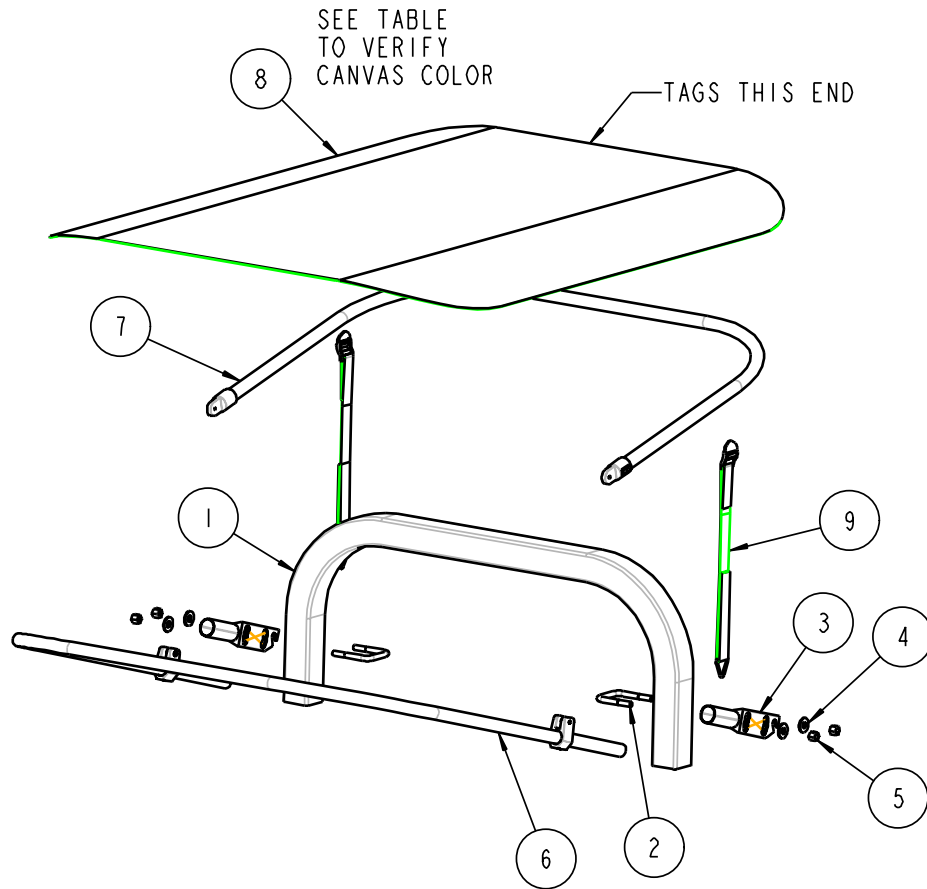
A-11455 SPECIFIC PARTS

8	3-18642_COVER_FABRIC_GRAY	1
11	05-10618_LABEL_BOX	SEE BOM

* PARTS INCLUDED IN MOUNTING KIT

PARTS MANUAL

2" X 2" TUBE, 29"- 34" WIDE



A-11481

ITEM #	DESCRIPTION	QTY
1	REF_UPPER_TUBE	1
* 2	3-18000_U-BOLT_SQ_2X3X2	2
* 3	3-18713_TUBE_MTG_2_INCH_ROTATE	2
* 4	3-10086_375_WASHER	4
* 5	3-10073_375_NYLOCK	4
6	3-18638_TUBE_FRONT_HINGED	1
7	3-18641_TUBE_REAR_HINGED	1
8	3-18643_COVER_FABRIC_RED	1
* 9	3-18644_STRAP_ASM	2
10	3-18645_BOX_36X2X36	SEE BOM
* 11	3-16265_BAG_10X12_ZIPLOCK	SEE BOM
* 12	05-10627_MTG_INSTRUCTIONS	SEE BOM
13	05-10628_LABEL_BOX	SEE BOM

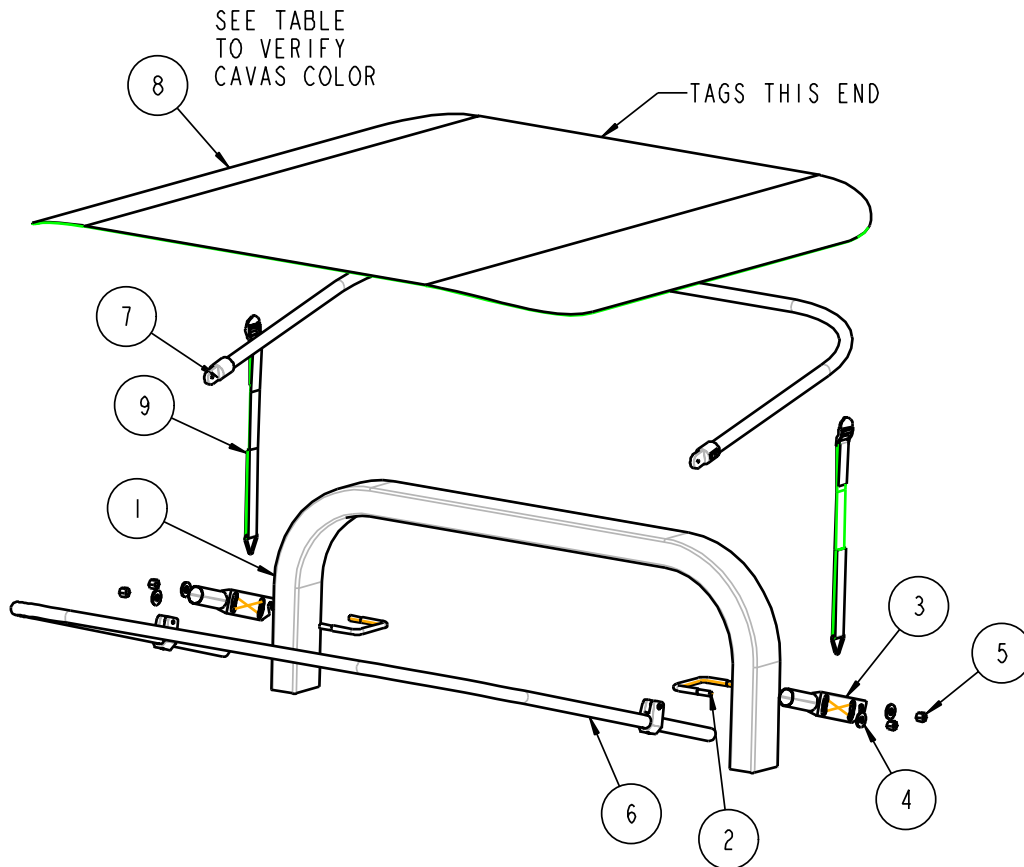
A-11434 SPECIFIC PARTS

8	3-18642_COVER_FABRIC_GRAY	1
13	05-10604_LABEL_BOX	SEE BOM

* PARTS INCLUDED IN MOUNTING KIT

PARTS MANUAL

3" X 2" TUBE, 38" - 43" WIDE



SCALE 0.125

A-11495

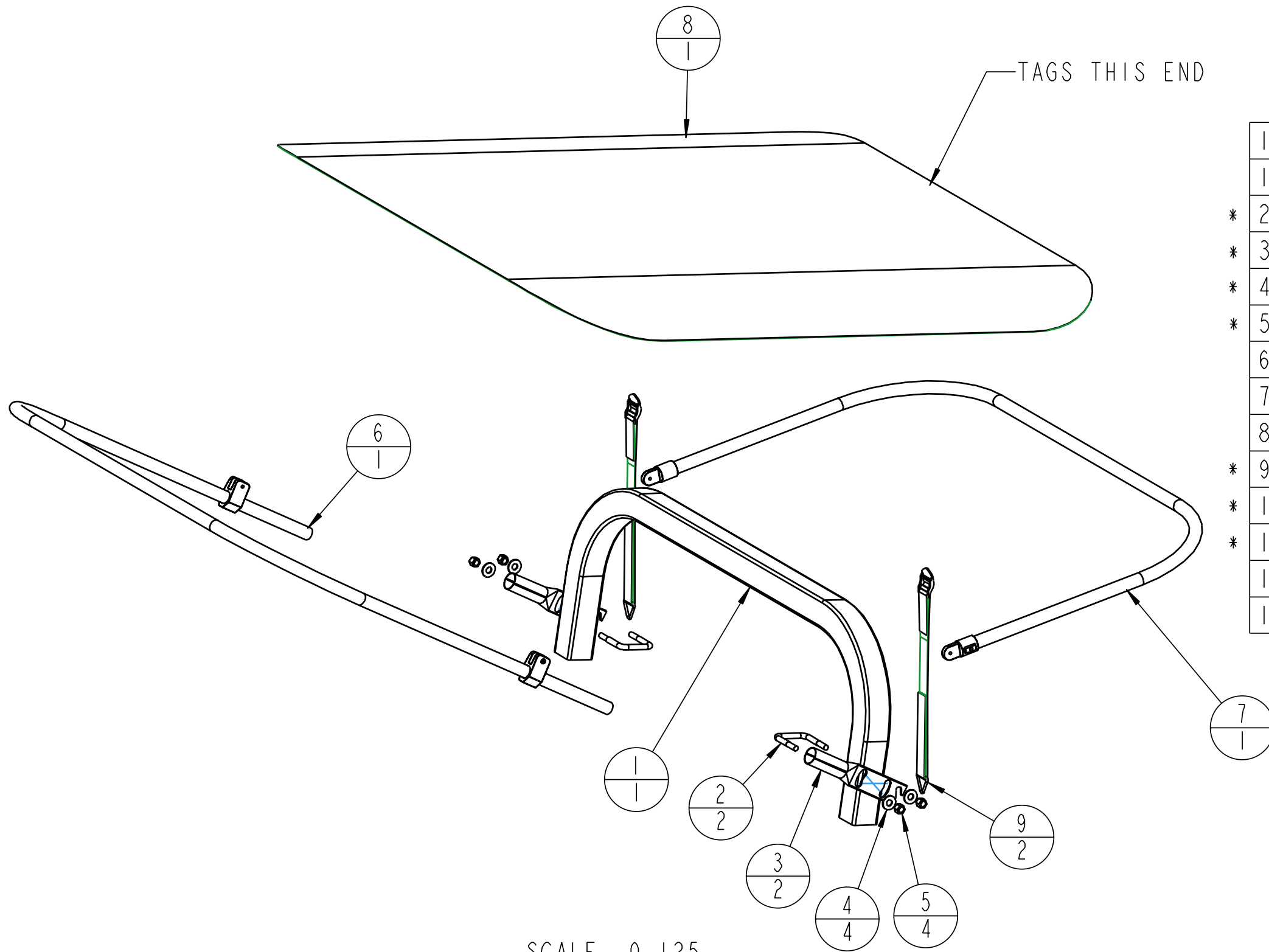
ITEM #	DESCRIPTION	QTY
1	REF_UPPER_TUBE_3_WIDE	1
* 2	3-18482_U-BOLT	2
* 3	3-18633_TUBE_MTG_3_INCH	2
* 4	3-10086_375_WASHER	4
* 5	3-10073_375_NYLOCK	4
6	3-18718_TUBE_FRONT_HINGED_WIDE	1
7	3-18719_TUBE_REAR_HINGED_WIDE	1
8	3-18721_CVR_FRBC_RED_WIDE	1
* 9	3-18644_STRAP_ASM	2
* 10	3-16265_BAG_10X12_ZIPLOCK	SEE BOM
* 11	05-10627_MTG_INSTRUCTIONS	SEE BOM
12	3-18722_BOX_36X2X45	SEE BOM
13	05-10650_LABEL_BOX	SEE BOM

A-11496 SPECIFIC PARTS

8	3-18720_CVR_FRBC_GRAY_WIDE	1
13	05-10649_LABEL_BOX	SEE BOM

* PARTS INCLUDED IN MOUNTING KIT

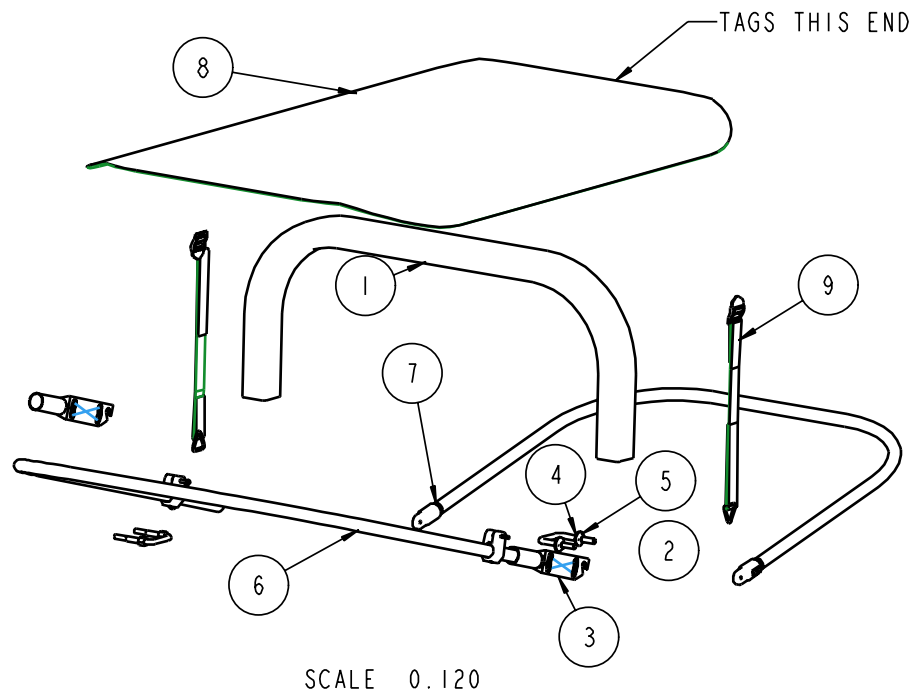
A-11634



ITEM #	DESCRIPTION	QTY
1	REF_UPPER_TUBE_WIDE	1
* 2	3-18000_U-BOLT_SQ_2X3X2	2
* 3	3-18713_TUBE_MTG_2_INCH_ROTATE	2
* 4	3-10086_375_WASHER	4
* 5	3-10073_375_NYLOCK	4
6	3-18718_TUBE_FRONT_HINGED_WIDE	1
7	3-18719_TUBE_REAR_HINGED_WIDE	1
8	3-18720_CVR_FBRC_GRAY_WIDE	1
* 9	3-18644_STRAP_ASM	2
* 10	3-16265_BAG_10X12_ZIPLOCK	SEE BOM
* 11	05-10627_MTG_INSTRUCTIONS	SEE BOM
12	3-18722_BOX_36X2X45	SEE BOM
13	05-10789_LABEL_BOX	SEE BOM

* PARTS INCLUDED IN MOUNTING KIT

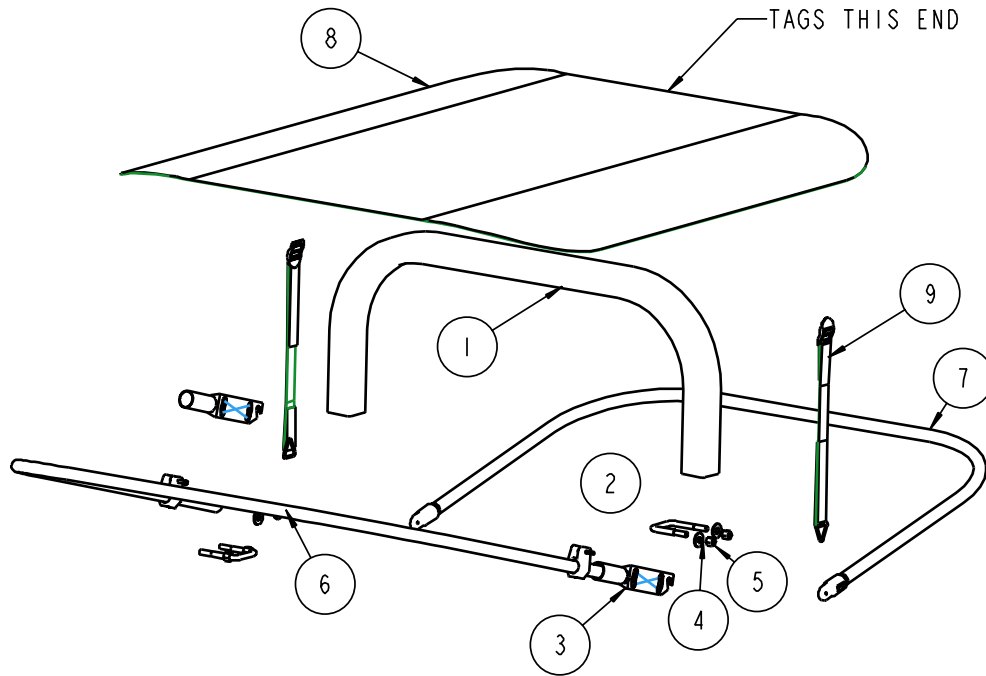
A-11855



ITEM #	DESCRIPTION	QTY
1	REF_UPPER_TUBE	1
* 2	3-18000_U-BOLT	2
* 3	3-18713_TUBE_MTG_2_INCH	2
* 4	3-10086_375_WASHER	4
* 5	3-10073_375_NYLOCK	4
6	3-19529_TUBE_FRONT_HINGE	1
7	3-19531_TUBE_REAR_HINGED	1
8	3-19533_COVER_FABRIC_GRAY	1
* 9	3-18644_STRAP_ASM	2
10	3-18645_BOX_36X2X36	SEE BOM
* 11	3-16265_BAG_10X12_ZIPLOCK	SEE BOM
* 12	05-10627_MTG_INSTRUCTIONS	SEE BOM
13	05-11065_LABEL_BOX	SEE BOM

* PARTS INCLUDED IN MOUNTING KIT

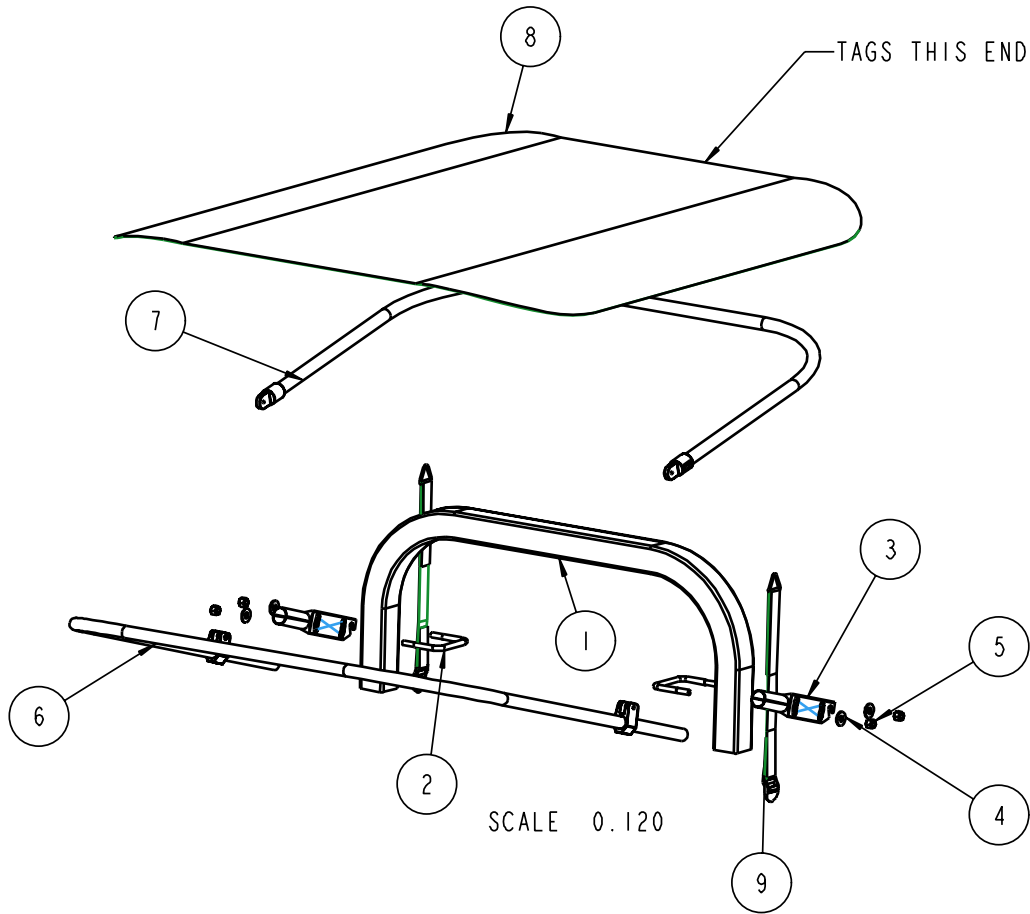
A-11856



SCALE 0.120

ITEM #	DESCRIPTION	QTY
1	REF_UPPER_TUBE	1
* 2	3-18000_U-BOLT	2
* 3	3-18713_TUBE_MTG_2_INCH	2
* 4	3-10086_375_WASHER	4
* 5	3-10073_375_NYLOCK	4
6	3-19530_TUBE_FRONT_HIN	1
7	3-19532_TUBE_REAR_HING	1
8	3-19534_COVER_FABRIC	1
* 9	3-18644_STRAP_ASM	2
10	3-18645_BOX_36X2X36	SEE BOM
11	05-11066_LABEL_BOX	SEE BOM
* 12	3-16265_BAG_10X12_ZIPLOCK	SEE BOM
* 13	05-10627_MTG_INSTRUCTIONS	SEE BOM

* PARTS INCLUDED IN MOUNTING KIT



A-11857

ITEM #	DESCRIPTION	QTY
1	REF_UPPER_TUBE	1
* 2	3-18482_U-BOLT	2
* 3	3-18633_TUBE_MTG_3_INCH	2
* 4	3-10086_375_WASHER	4
* 5	3-10073_375_NYLOCK	4
6	3-19530_TUBE_FRONT_HIN	1
7	3-19532_TUBE_REAR_HING	1
8	3-19534_COVER_FABRIC	1
* 9	3-18644_STRAP_ASM	2
10	3-18645_BOX_36X2X36	SEE BOM
11	05-11067_LABEL_BOX	SEE BOM
* 12	3-16265_BAG_10X12_ZIPLOCK	SEE BOM
* 13	05-10627_MTG_INSTRUCTIONS	SEE BOM

* PARTS INCLUDED IN MOUNTING KIT