

COZYcab™



**SUNSHADE AND WIND DEFLECTOR
(NON-ROPS)
FOR JOHN DEERE GATOR "T" SERIES
6 x 4 and 4 x 2 MACHINES**

A-11344

Manufactured by:

SP **CUSTOM PRODUCTS**
OF LITCHFIELD, INC.

BOX 70 • LITCHFIELD, MINNESOTA 55355
(320) 693-3221 Fax: (320) 693-7252
1-800-222-5463 WWW.800CABLINE.COM

John Deere GATOR Sunshade MOUNTING INSTRUCTIONS

Preparation of GATOR

Note: Left and Right sides of the unit are determined by facing in the direction the machine travels forward.

1. Park GATOR on a level surface. Engage parking brake. Shut off engine.
2. Place (2) two 7/8" ID x 2.25" OD flat washers over the outer row - first and last anti-skid floor holes of the GATOR floor. Center the washers so that they straddle these two holes. The same on each side of the GATOR floor. See Figure 1.

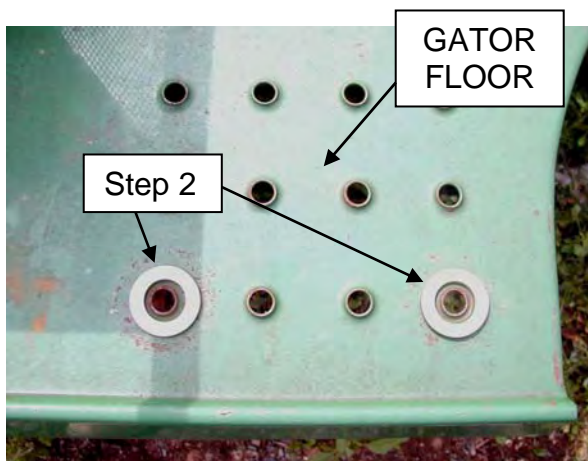


Figure 1



Figure 2

3. For GATORS with a floor mat, roll the floor mat out of the way. Once all fasteners are secured, it may be necessary to trim the floor mat to fit properly around the side frames.

Mounting the Sunshade

4. At the rear of cab, remove (2) M6 x 15mm screws that secure a rear plastic seat cover panel to machine frame. Keep the flat washers in place. See figure 2.
5. Locate the left side frame 2-15999 and right side frame 2-15998. Set each of the side frames onto their respective sides. Align the (2) two holes in each side frame with the (2) two holes in the GATOR floor. Align with the holes in the rear panel mount area.
6. Loosely secure each side frame to the GATOR floor with (2) two 3/8" x 1-1/4" button head cap screws, (4) four 3/8" flat washers, (4) 3/8" extra thick flat washers and (4) four 3/8" lock nuts. The extra thick flat washers are used on the bottom of the GATOR platform. See Figure 3.

John Deere GATOR Sunshade MOUNTING INSTRUCTIONS

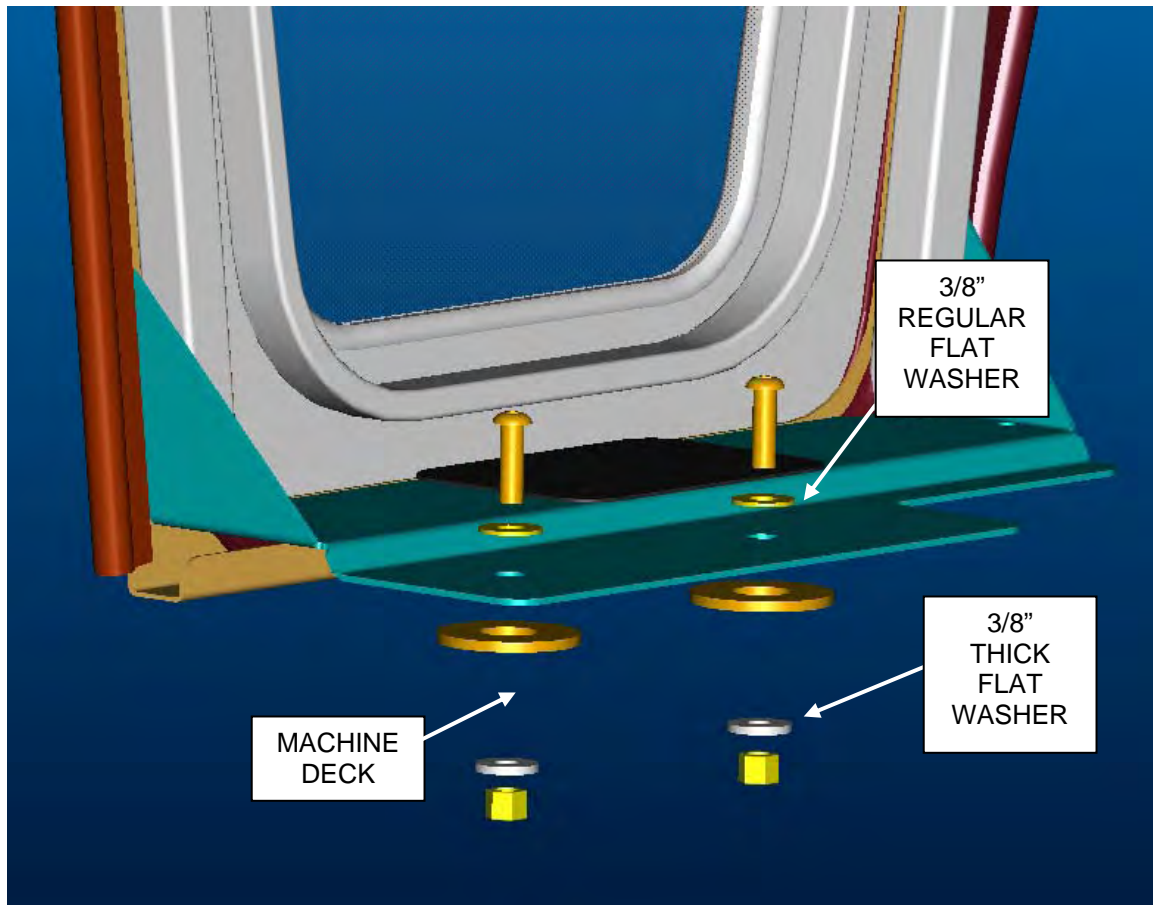


Figure 3

Rear Mounting –All Models

7. Place (2) spacer tubes on top of the flat washers that were securing the rear plastic cover.
8. Install (2) M6 x 35mm screws, (2) 1/4" flat washers and (2) 1/4" lock washers. See Figure 4.



Figure 4

John Deere GATOR Sunshade MOUNTING INSTRUCTIONS

9. Additional rear mount support tubes 1-44145 may be installed on Gator TS and TX models, only. Secure tubes with (4) 5/16-18unc self-tapping flange screws, on each side. See Figure 5.



FIGURE 5

10. Locate the rear upper cross member #2-14668. Secure using (2) two 5/16" self-tapping screws, (2) 5/16" X 1.75" bolts, (2) two 1/4" flat washers and (2) 5/16" serrated nuts. See Figure 6. Torque to 20 ft. lbs. (27 N*m).

John Deere GATOR Sunshade MOUNTING INSTRUCTIONS

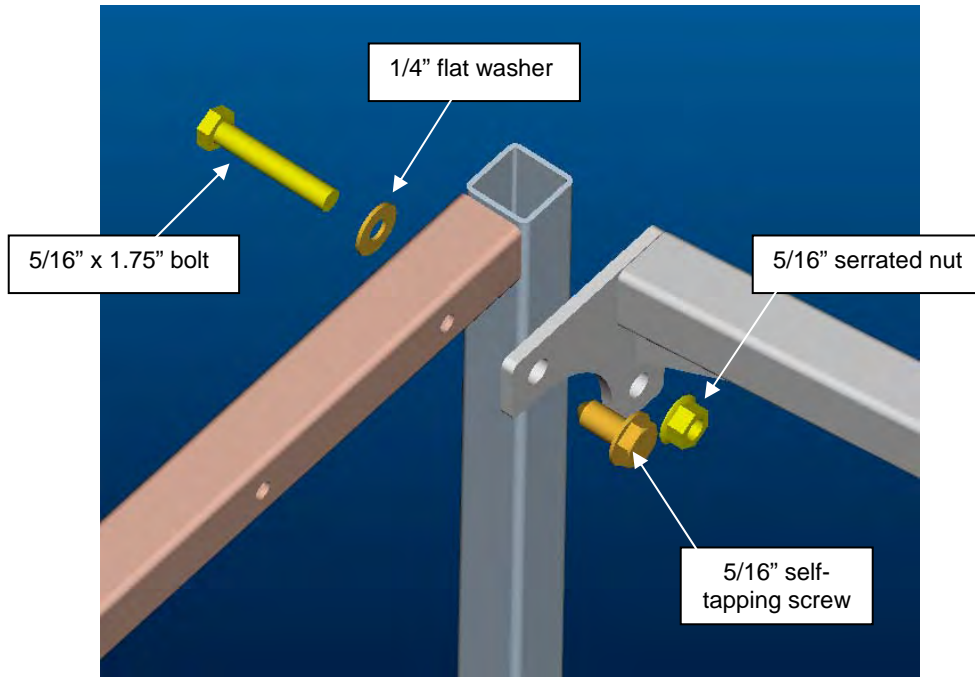


FIGURE 6

11. Attach to the rear side tubes to lower rear panel weldment using (4) 5/16" X 1.75" bolts, (4) two 1/4" flat washers and (4) 5/16" serrated nuts. See figure 7.

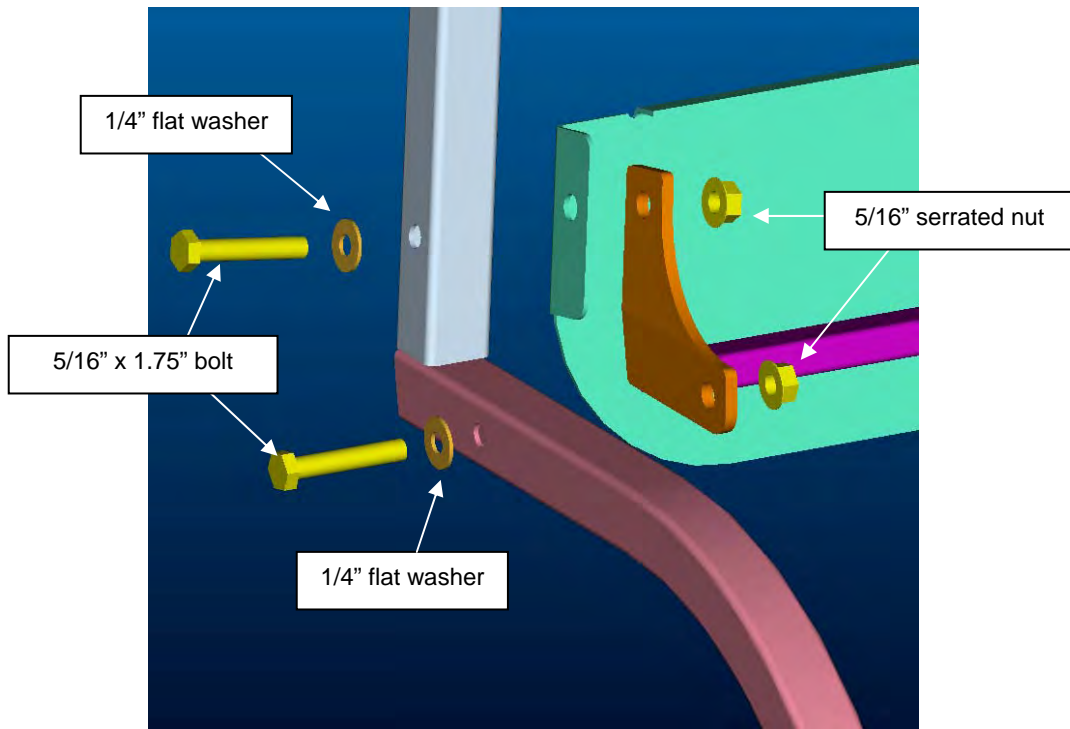


FIGURE 7

John Deere GATOR Sunshade MOUNTING INSTRUCTIONS

12. Install the front windshield assembly 4-14909 over each side frame post. Align the holes and secure with (10) ten 5/16" self-tapping screws. Torque to 20 ft. lbs. (27 N*m). See Figure 8.

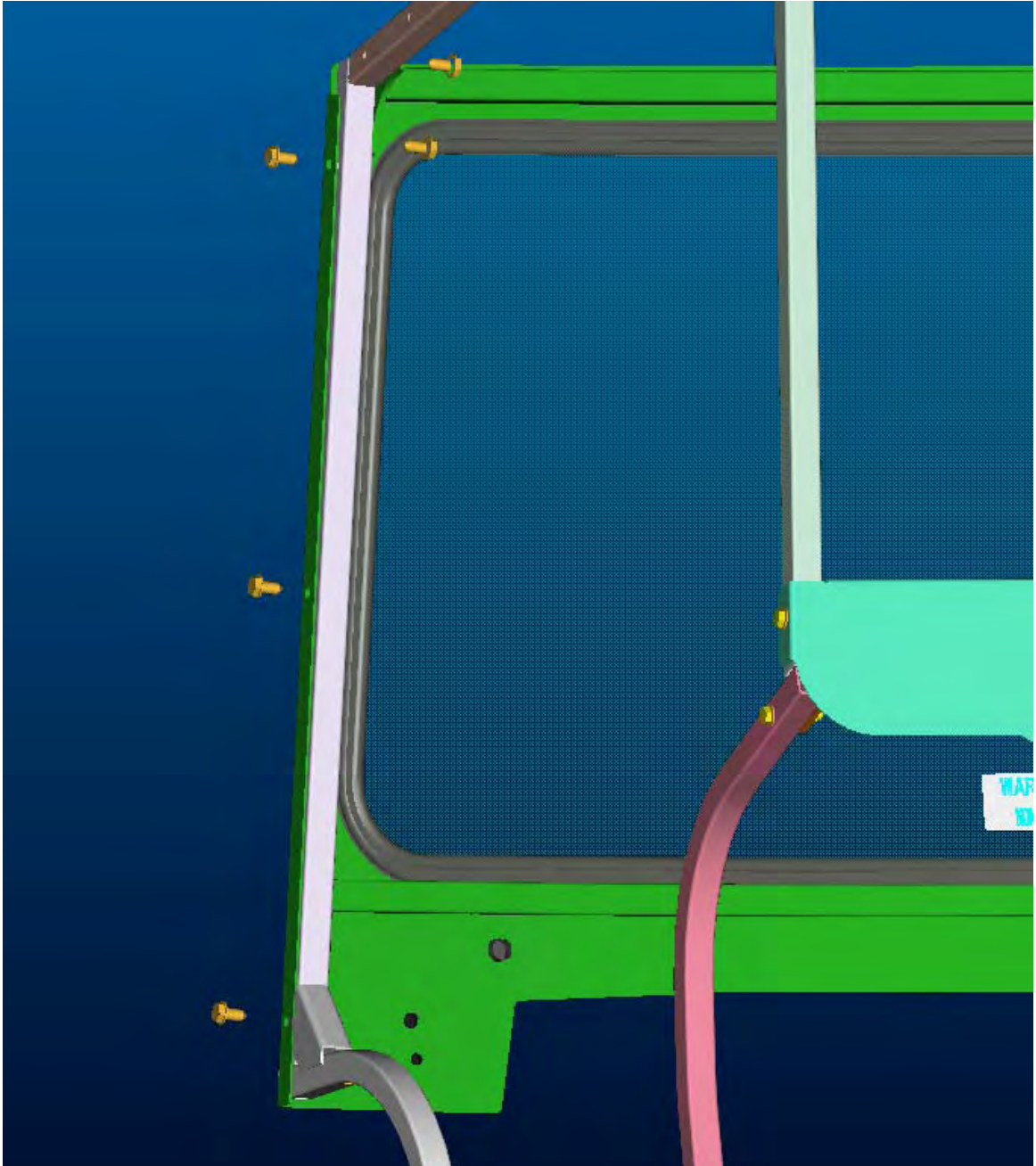


Figure 8
(Step 11)

John Deere GATOR Sunshade MOUNTING INSTRUCTIONS

13. Tighten the floor deck 3/8" fasteners in Figure 3. Torque to 33 lb. ft. (45 N*m).

Mounting the Sunshade Roof

14. Locate (4) four rubber grommets and install them into each hole on the sides of the sunshade roof.
15. Install the sunshade roof with the sloped side toward the front and grommets installed, over the sunshade frame.
16. Align all (4) four roof holes with the side frame holes. Secure at each location using (1) 1/4" x 2.0" long bolts, (3) 1/4" flat washers and (1) 1/4-20 nylock nuts. Make sure one 1/4" flat washer is between the rubber grommets and the upper frame tubes at each connection. Tighten the 1/4" fasteners to slightly compress the rubber grommets. See Figure 9.

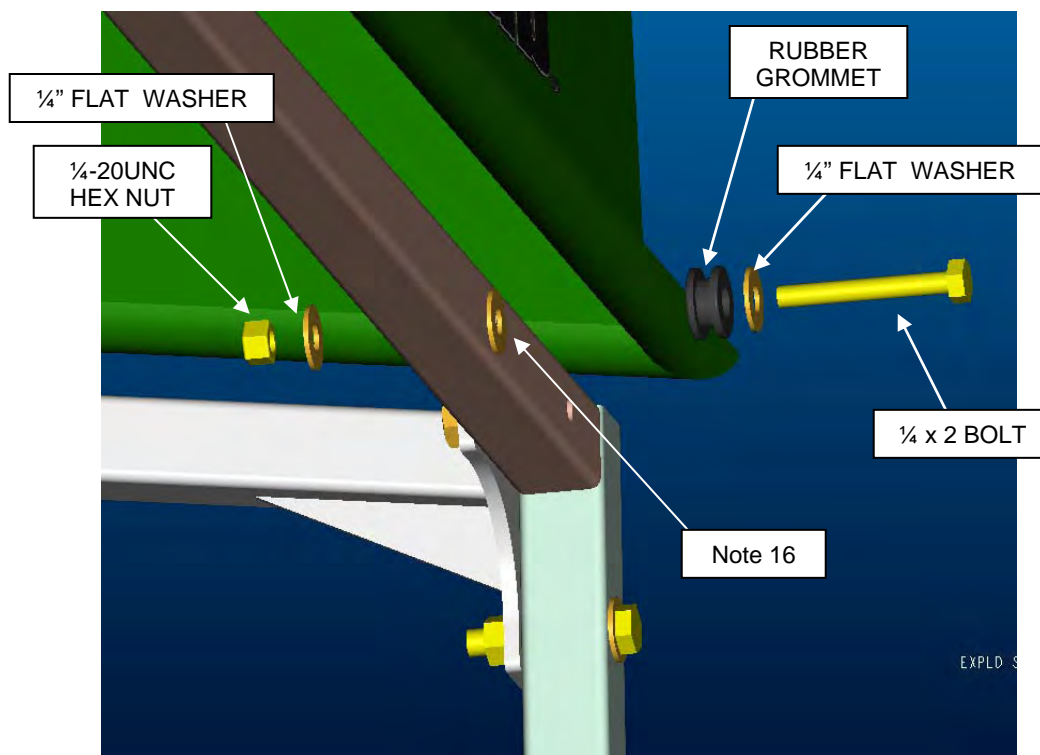
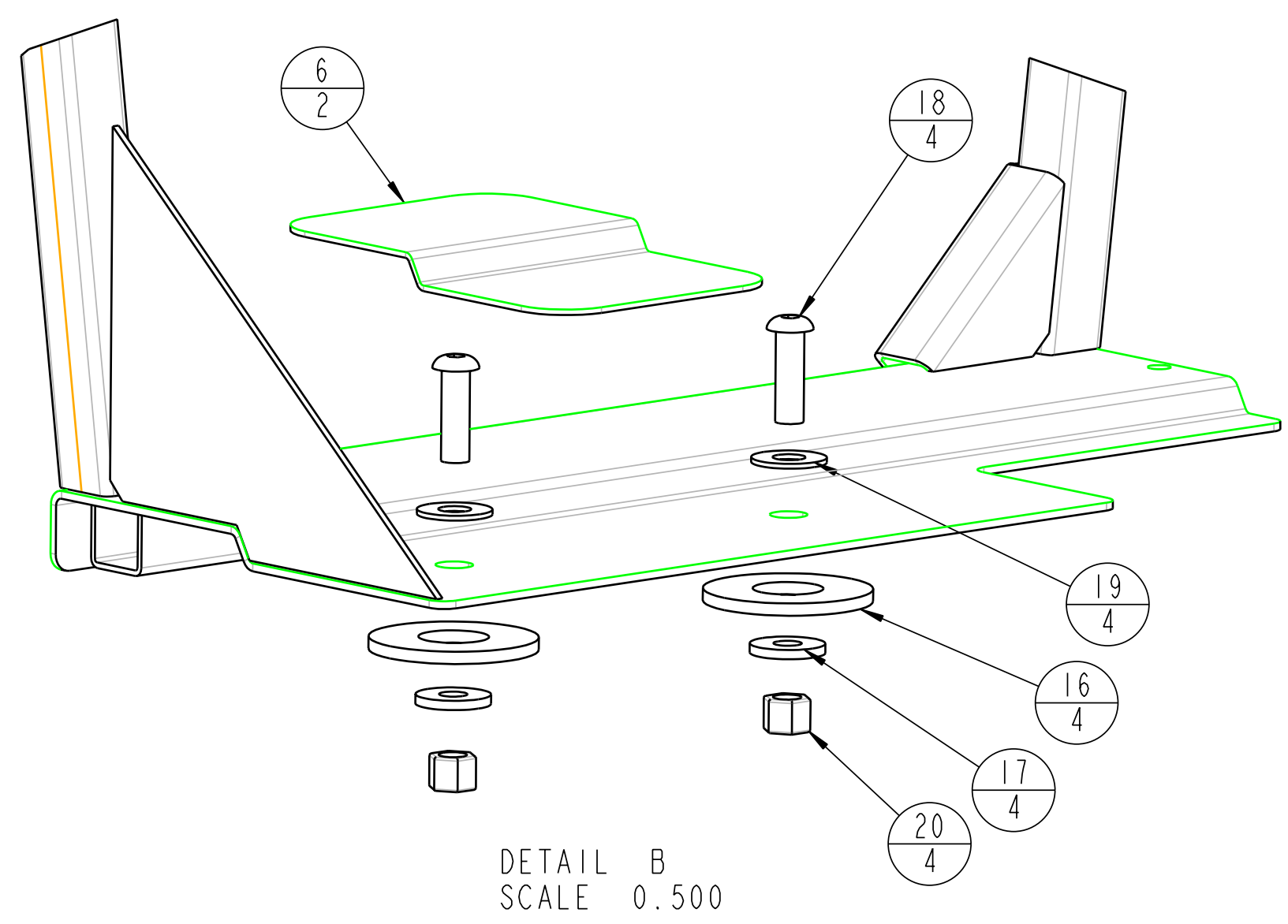
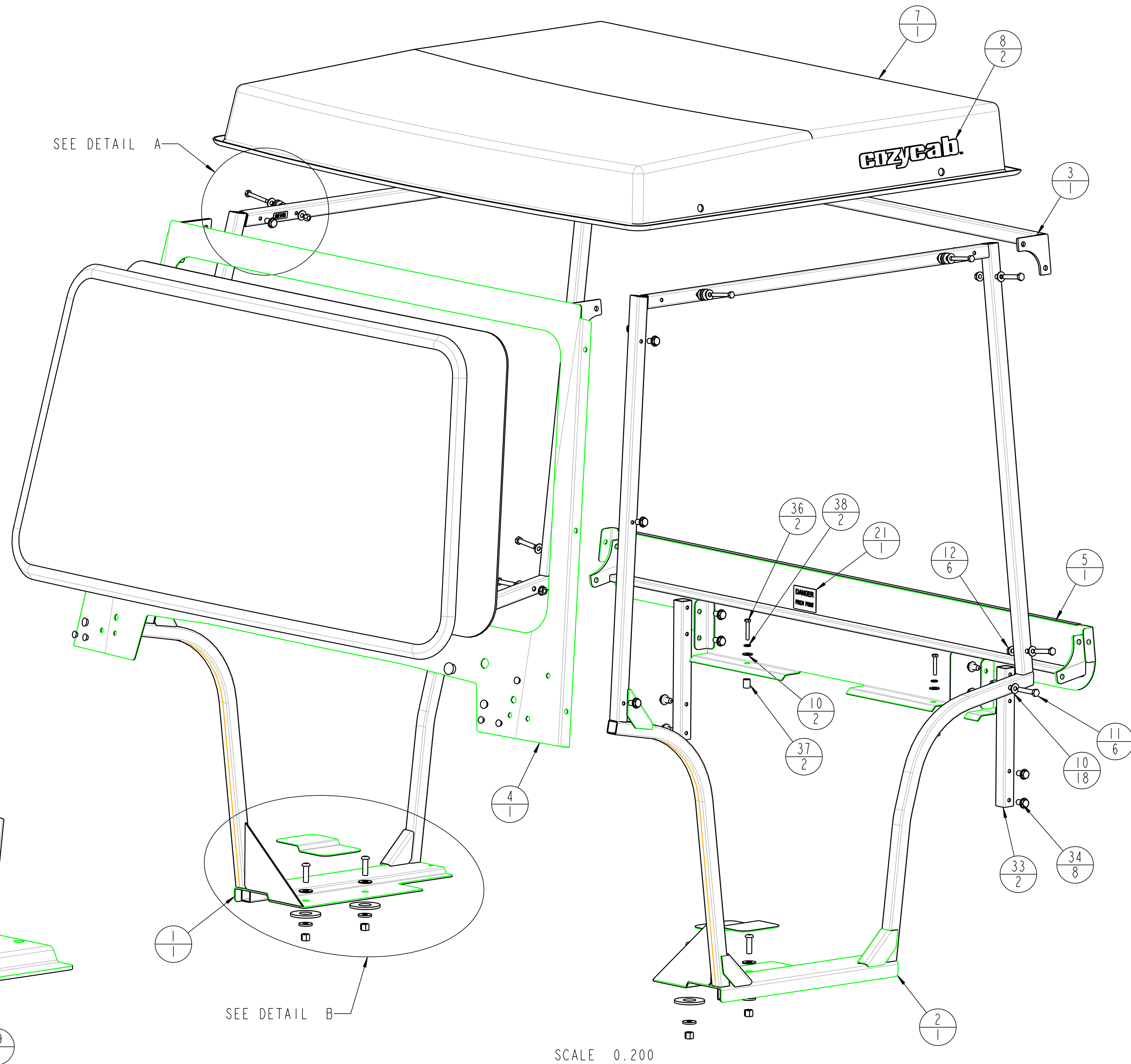
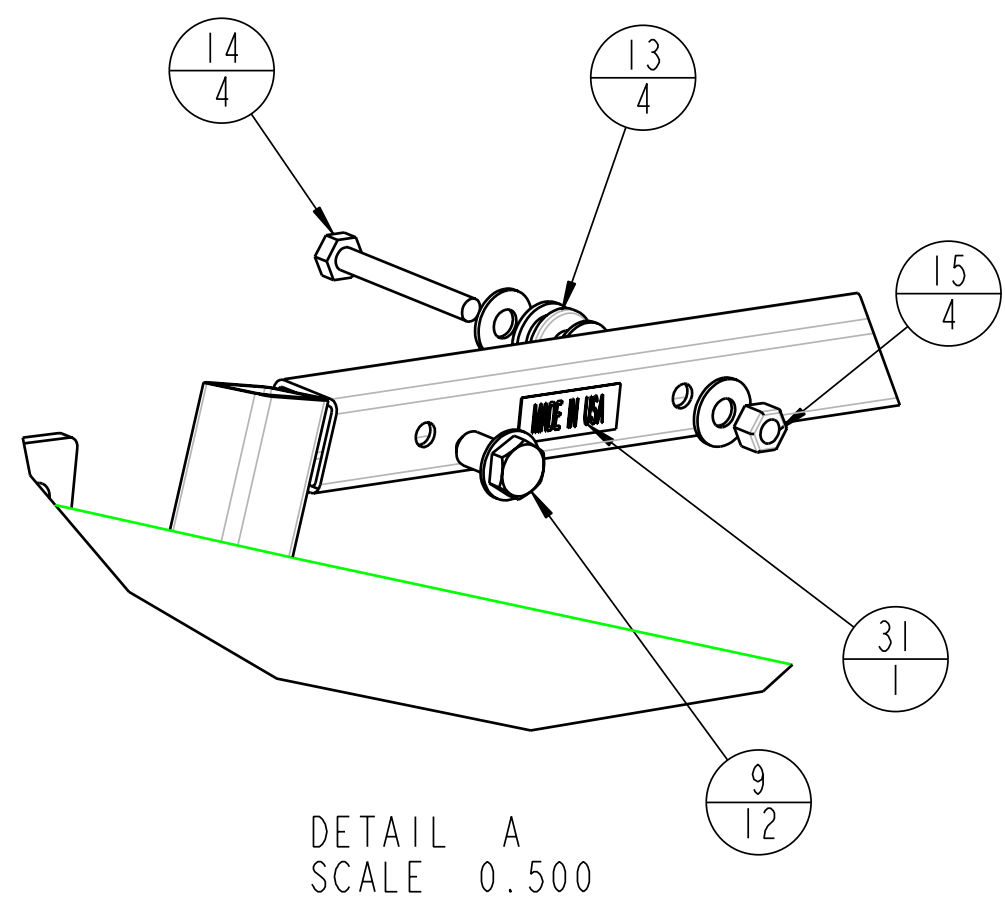


Figure 9
(Steps 14-16)

Fit the floor mat

17. If your GATOR has a floor mat, re-install mat, trim and cut for proper fit. The floor mat will lay unfastened, on top of the side frame base plates.

REV.	DCR NO.	DESCRIPTION	DRAFTSMAN	DATE
-	-	-	CAD	8-5-05



ITEM #	DESCRIPTION	QTY
1	2-15998.RH_SIDE_WELDMENT	1
2	2-15999.LH_SIDE_WELDMENT	1
3	2-14668 CROSS MEMBER	1
4	4-14909_FRONT_WINDOW_ASM	1
5	2-16004_REAR_WELDMENT	1
4-14913 6	3-10629_NON-SLIP	2
7	3-16760_ROOF_REF	1
8	3-17564_DECAL	2
4-14913 9	3-16753_SER_FLANGE_BOLT_5/16	12
4-14913 10	3-10084_250_WASHER	20
4-14913 11	3-12591_313_HHCS_1_75LG	6
4-14913 12	3-17111_SER_FLANGE_NUT_5/16	6
13	3-16779_GROMMET	4
4-14913 14	3-10005_25_HHCS_2	4
4-14913 15	3-10070_25_NYLOCK	4
4-14913 16	3-16801_WASHER_FLAT_88_W	4
4-14913 17	3-16847_WASHER	4
4-14913 18	3-17905_MSCR_38_X_1_25_BH_SOC	4
4-14913 19	3-10086_375_WASHER	4
4-14913 20	3-10073_375_NYLOCK	4
21	3-18008_DECAL_PINCH-POINT	1
22	3-16777-01_BOX_GATOR	SEE BOM
23	3-16777-02_BOX_GATOR	SEE BOM
24	3-16777-03_BOX_GATOR	SEE BOM
25	3-16777-04_BOX_GATOR	SEE BOM
26	3-16777-05_BOX_FILLER_GATOR	SEE BOM
27	3-16777-06_BOX_FILLER_GATOR	SEE BOM
28	3-16777-08_BOX_CROSTUBE	SEE BOM
29	3-17793_BAG_POLY_31X19X72	SEE BOM
30	3-17913_POWDER_PAINT_BLACK_25	SEE BOM
31	3-16784_DECAL_MADE_IN_USA	1
4-14913 32	05-10514_INSTR_MANUAL	SEE BOM
4-14913 33	1-44145_REAR_MOUNT_TUBE	2
4-14913 34	3-16753_HEX_WASHER_HD_312X750	8
35	4-14913_MOUNT_KIT_GATOR_TS	SEE BOM
4-14913 36	3-16883_HHCS_M6_X_35	2
4-14913 37	1-44144_REAR_MOUNT_PANEL_SPACER	2
4-14913 38	3-10076_250_LOCK_WASHER	2

BALLOON INFORMATION
ITEM NO.
QTY

NOTES:
1. ASSEMBLY TO BE DONE BY CUSTOMER

THIS DOCUMENT CONTAINS CONFIDENTIAL INFORMATION AND IS THE PROPERTY OF CUSTOM PRODUCTS OF LITCHFIELD, INC. AND MAY NOT BE COPIED, REPRODUCED OR DISCLOSED IN ANY MANNER WITHOUT EXPRESSED WRITTEN CONSENT FROM CUSTOM PRODUCTS OF LITCHFIELD, INC.

TOLERANCES UNLESS NOTED OTHERWISE	CUSTOMER NAME & MOD NO.	JD GATOR T SERIES	MATL SPEC.	SEE BOM
	CUSTOM PRODUCTS	1715 SOUTH SIBLEY AVE LITCHFIELD, MN 55365		
.X ± .09 .XX ± .06 .XXX ± .03 HOLE SIZE 05/00 ANGLE ± 5°	TITLE	DRWG SIZE	DRWG NO.	REV LEVEL
	SUNSHADE KIT	D	A-11344 1 of 1	
	DRWNL	CAD	DATE	1-6-05

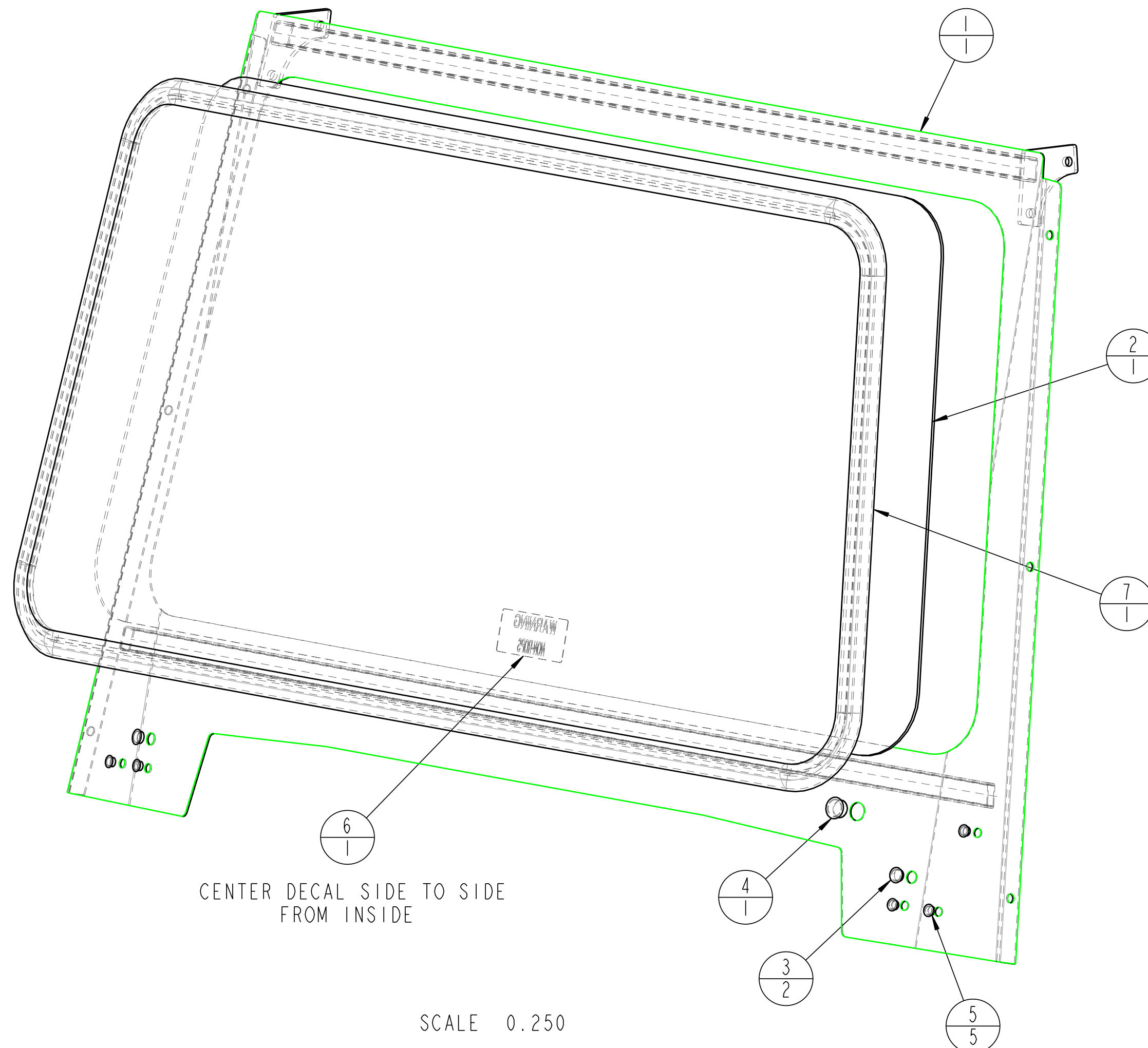
REV.	DCR NO.	DESCRIPTION	DRAFTSMAN	DATE
-	-	RELEASED	CAD	8-5-05

ITEM #	DESCRIPTION	QTY
6	3-10629 NON-SLIP ADHESIVE TAP PRE-CUT	2
9	3-16753 SER FLG BOLT, 5/16-18UNC x .75 LG	12
10	3-10084 FLAT WASHER 1/4"	20
11	3-12591 HEAD HEAD BOLT, 5/16 x 1.75 LG	6
12	3-17111 SERRATED FLANGE NUT 5/16-18UNC	6
14	3-10005 HEX HD BOLT 1/4-20UNC x 2 LG	4
15	3-10070 NYLOCK NUT 1/4-20UNC	4
16	3-16801 FLAT WASHER 7/8" DIA	4
17	3-16847 WASHER FLAT THICK 3/8"	4
18	3-17905 SOC BUTTON HD SCREW, 3/8 x 1.25 LG	4
19	3-10086 FLAT WASHER 3/8"	4
20	3-10073 NYLOCK NUT 3/8"	4
32	05-10514 INSTRUCTION MANUAL	1
33	1-44145 REAR MOUNT TUBE	2
34	3-16753 SELF-TAP FLANGE SCREW 5/16x3/4	8
36	3-16883 HHCS M6x35MM LG	2
37	1-44144 ROUND SPACER TUBE	2
38	3-10076 LOCK WASHER 1/4"	2

THIS DOCUMENT CONTAINS CONFIDENTIAL INFORMATION AND IS THE PROPERTY OF CUSTOM PRODUCTS OF LITCHFIELD, INC. AND MAY NOT BE COPIED, REPRODUCED OR DISCLOSED IN ANY MANNER WITHOUT EXPRESSED WRITTEN CONSENT FROM CUSTOM PRODUCTS OF LITCHFIELD, INC.

TOLERANCES UNLESS NOTED OTHERWISE .X ± .09 .XX ± .06 .XXX ± .03 HOLE SIZE +.015/-010 ANGLE ± .5°	CUSTOMER NAME & MOD NO.: JD GATOR "T" SERIES A-11344	MATL SPEC:	
	CUSTOM PRODUCTS 1715 SOUTH SIBLEY AVE. LITCHFIELD, MN 55355		
TITLE:	DRWG SIZE: B	DRWG NO.: 4-14913	REV LEVEL:
TITLE: SUNSHADE MOUNT KIT	DRAWN: CAD	DATE: 1-18-05	

REV.	DCR NO.	DESCRIPTION	DRAFTSMAN	DATE
				1-6-05



CENTER DECAL SIDE TO SIDE
FROM INSIDE

SCALE 0.250

ITEM #	DESCRIPTION	QTY
1	2-15997_WELDMENT_FRONT	1
2	3-16752 FRONT GLASS	1
3	3-10378_50_HOLE_PLUG	2
4	3-11741 HOLE PLUG .75 DIA	1
5	3-10721_38_HOLE_PLUG	5
6	3-17570_NON_ROPS	1
7	3-16669_FRONT_WINDOW_RUB	1

THIS DOCUMENT CONTAINS CONFIDENTIAL INFORMATION AND IS THE PROPERTY OF CUSTOM PRODUCTS OF LITCHFIELD, INC. AND MAY NOT BE COPIED, REPRODUCED OR DISCLOSED IN ANY MANNER WITHOUT EXPRESSED WRITTEN CONSENT FROM CUSTOM PRODUCTS OF LITCHFIELD, INC.

TOLERANCES UNLESS NOTED OTHERWISE .X ± .09 .XX ± .06 .XXX ± .03 HOLE SIZE .015/-.000 ANGLE ± 5°	CUSTOMER NAME & MOD NO.: JD GATOR TS SERIES A-11344		MATL SPEC: SEE BOM	
	CUSTOM PRODUCTS 1715 SOUTH SIBLEY AVE. LITCHFIELD, MN 55355			
TITLE FRONT WINDOW ASM		DRWG SIZE C	DRWG NO. 4-14909	REV LEVEL -
DRAWN: CAD		DATE: 1-6-05		