

COZYcab™

Mounting Instructions With Parts Listing And Drawing



Sunshade Kit for JD 2210 With ROPS Part No.

A-11291

Manufactured by:

 **CUSTOM PRODUCTS**
OF LITCHFIELD, INC.

BOX 70 • LITCHFIELD, MINNESOTA 55355-0070

Ph: (320) 693-3221 Fax: (320) 693-7252

1-800-222-5463

www.800cabline.com

05-10430
June 2003

JD 2210 Sunshade Kit A-11291

MOUNTING INSTRUCTIONS

Preparation of Tractor

1. Park tractor on level surface. Engage parking brake. Shut off engine.

Assembly of Frame

2. Pre-assemble the structural frame; Reference drawing 8-14714, sheets 1 and 2.
3. Start by assembling the horizontal support tubes 6-43060 into the rear mount plate 7-15819. Secure components with 5/16" fasteners and flat washers.
4. Secure front mount bracket 7-15805 to the front of the horizontal support tubes 6-43060 and secure with 5/16" fasteners and flat washers.
5. Assemble front upright supports 6-43094 to the front mount bracket 7-15805.



Figure 1



Figure 2

6. Assemble front lower mount brackets 7-15808 and 7-15809 to tractor frame by removing and re-using (4) loader mount bolts. If model is not equipped with a loader, use the (4) metric fasteners 3-12356, (4) 1/2" lock washers and (4) 1/2" flat washers from the mount kit. See figure 3. Torque to recommended specifications for loader mount bolts.
7. Assemble front lower mount brackets 7-15808 and 7-15809 to front upright supports 6-43094 using 5/16" fasteners and flat washers. See figure 4.

JD 2210 Sunshade Kit A-11291 MOUNTING INSTRUCTIONS

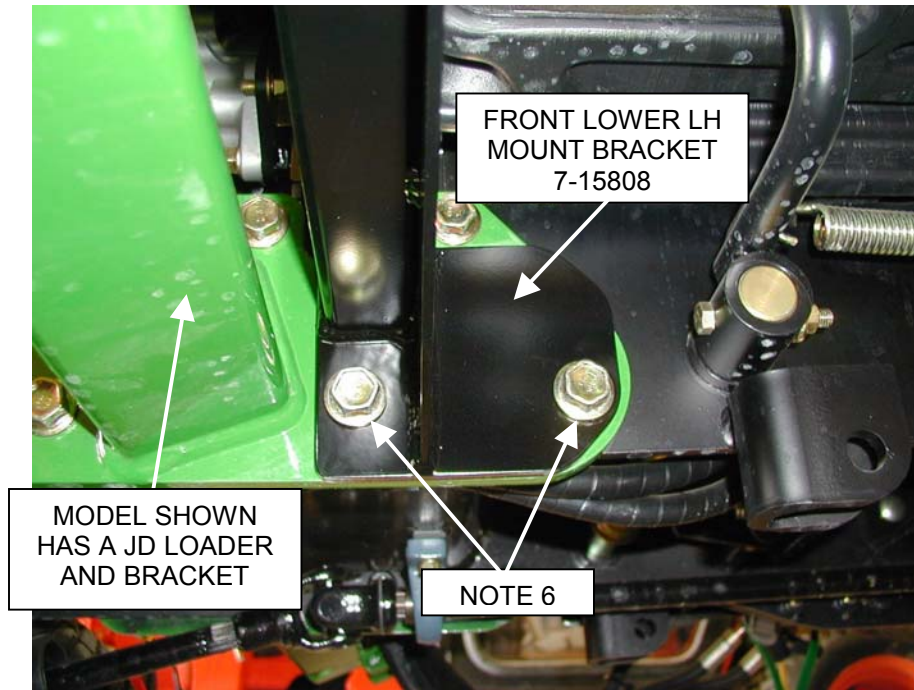


FIGURE 3

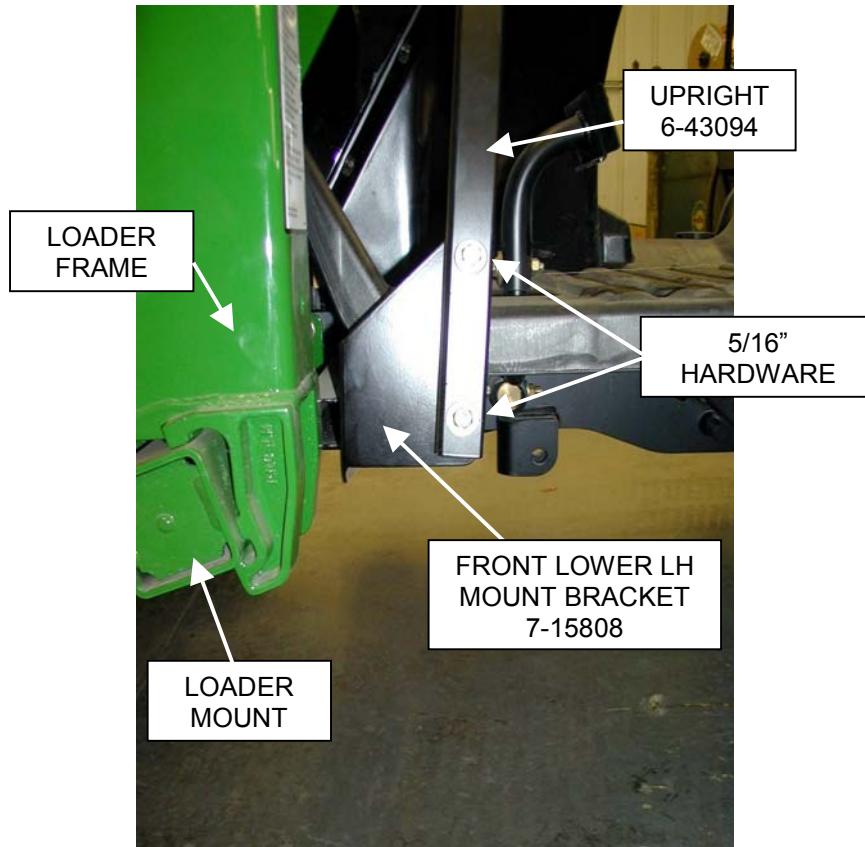


FIGURE 4

JD 2210 Sunshade Kit A-11291 MOUNTING INSTRUCTIONS

- Secure the back of the frame structure onto tractor ROPS (Roll bar). Center and secure with (2) 3/8" square U-bolts 3-18000. See Figure 5.
- Tighten all fasteners.

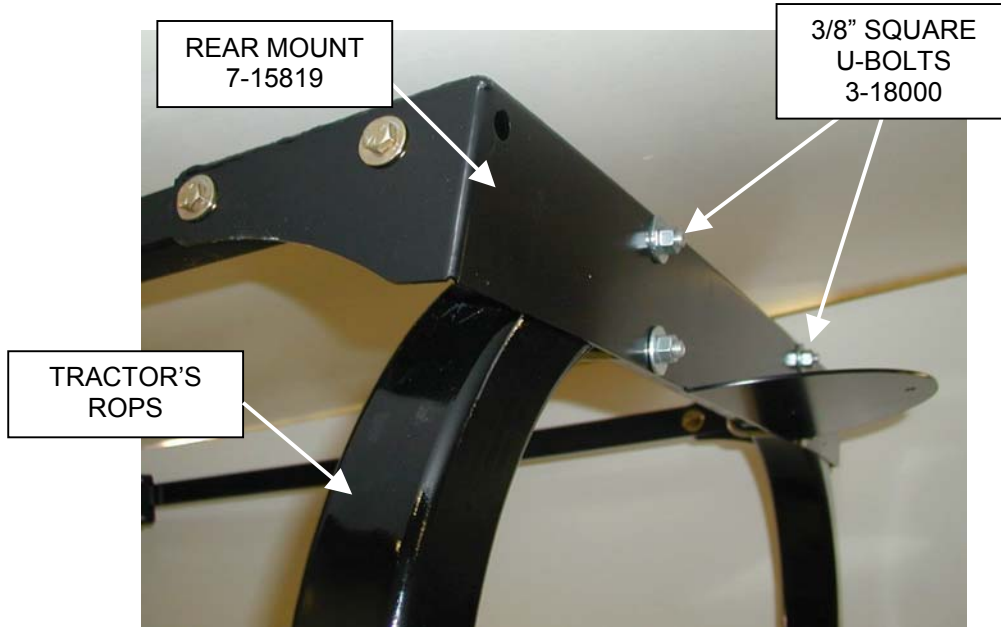


Figure 5

Secure Roof

- Roof 3-17999 may be supplied with a protective plastic covering. Remove if present.
- Secure roof using 5/16" fasteners to frame. Sandwich the roof with (8) soft rubber mount washers 3-16217 and (4) hard cap mount washers 3-15768. See Figures 7 and 8.
- Tighten bolt so rubber creates a water tight seal. Do not over tighten! Refer to Section E-E on drawing 8-14714 on assembly detail.



Figure 7

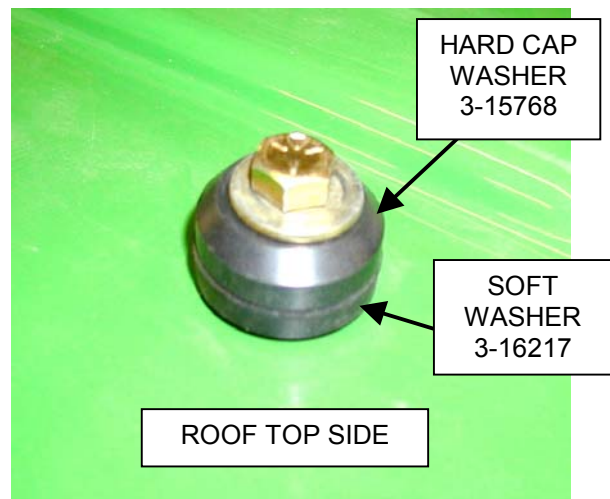


Figure 8

JD 2210 Sunshade Kit A-11291 MOUNTING INSTRUCTIONS

Refer to additional mounting instructions if options are to be mounted with the sunshade.

4-14710 3-Work Light Kit Option includes (2) front halogen lights and (1) rear halogen light (Mounting Instructions 05-10427), switches and hardware.

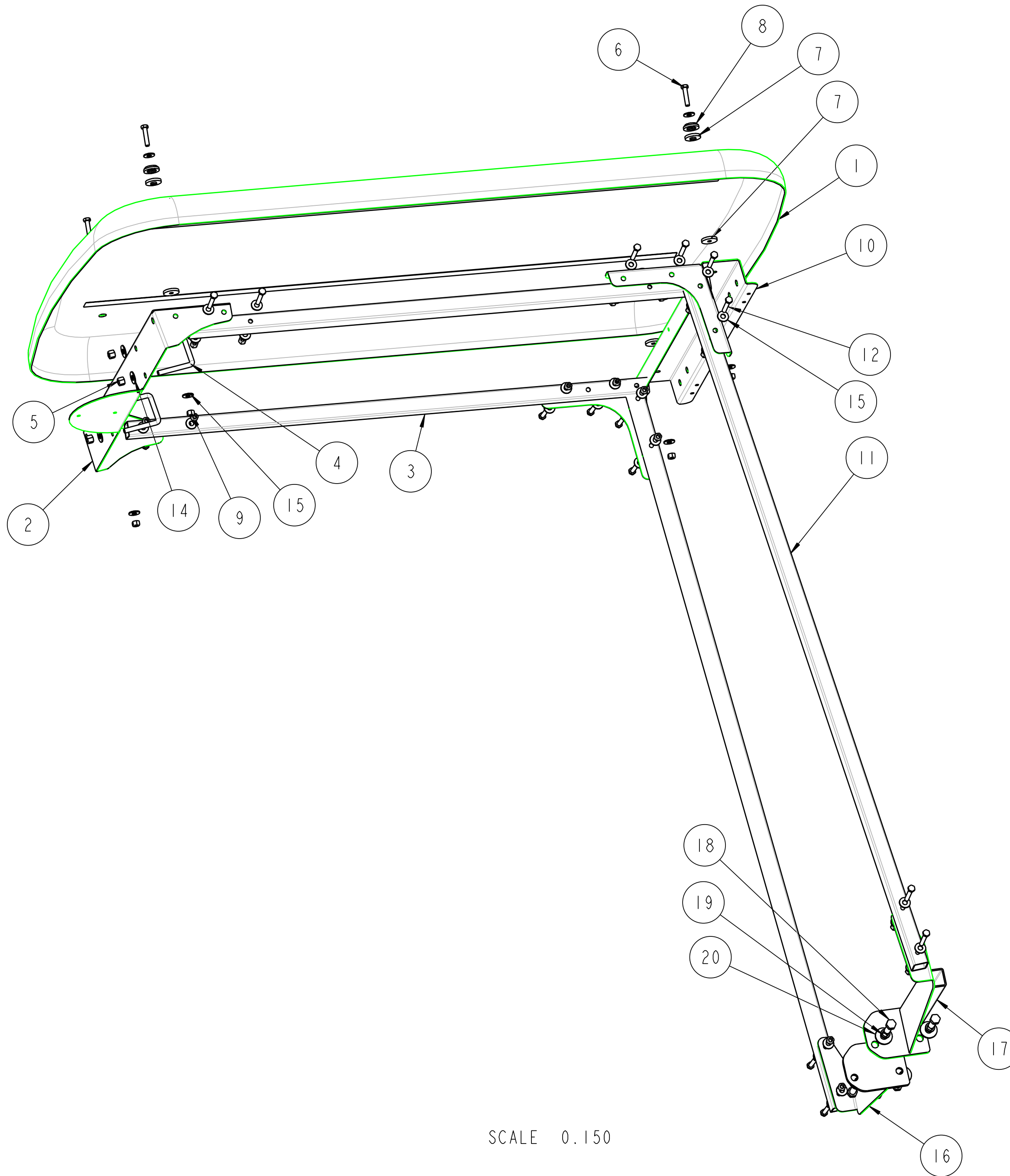
4-14711 Flashing Warning Light Kit Option includes (1) warning light with amber lens and mounting bracket (Mounting Instructions 05-10428), switch and hardware.

4-14712 Switch and Relay-Breaker Fuse Kit Option, required with either light kit 4-14710 or flashing warning light kit 4-14711. Includes wire relay-breaker harness, fuse block wire harness, protective wire ducting and hardware (Mounting Instructions 05-10429). Electrical wiring information is in this kit!

Sunshade for JD 2210 Model A-11291
MOUNTING INSTRUCTIONS – Replacement Parts List

<u>ITEM</u>	<u>QTY</u>	<u>PART NUMBER</u>	<u>DESCRIPTION</u>
1	1	3-17999	SUNSHADE ROOF GREEN STANDARD JD GREEN
2	1	7-15819	REAR MOUNT BRACKET
3	2	6-43060	UPPER HORIZONTAL SUPPORT TUBE
4	2	3-18000	U-BOLT FOR 2" SQUARE TUBE
5	8	3-10073	NYLOCK NUT 3/8-16UNC
6	4	3-13947	HEX HEAD SCREW 5/16-18UNC x 1.50" LG
7	8	3-16217	SOFT WASHER
8	4	3-15768	MOUNT CAP WASHER
9	20	3-10072	NYLOCK NUT 5/16-18UNC
10	1	7-15805	FRONT MOUNT PANEL
11	2	6-43094	FRONT UPRIGHT SUPPORT TUBE
12	16	3-10012	HEX HEAD SCREW 5/16-18UNC x 2.00" LG
-	-	-	-
14	8	3-10086	FLAT WASHER, 3/8"
15	40	3-10085	FLAT WASHER, 5/16"
16	1	7-15808	FRONT LOWER MOUNT BRACKET LH
17	1	7-15809	FRONT LOWER MOUNT BRACKET RH
18	4	3-12356	HEX HEAD SCREW METRIC M12x35x1.75
19	4	3-10079	LOCK WASHER 1/2"
20	4	3-10087	FLAT WASHER 1/2"
21	1	05-10430	MOUNTING INSTRUCTION MANUAL FOR JD 2210 SUNSHADE

REV.	DCR NO.	DESCRIPTION	DRAFTSMAN	DATE
		RELEASED	CAD	6-19-03



REFERENCE MOUNTING INSTRUCTION MANUAL 05-10430

NOTES:

1. PAINT COMPONENTS BLACK (EXPECT ROOF -NO PAINT)
2. LEAVE PLASTIC ROOF PROTECTIVE FILM ON WHEN SHIPPING
3. PARTS TO BE PACKAGED UNASSEMBLED -CUSTOMER TO ASSEMBLE
4. PLACE FASTENERS IN ZIPLOC BAG 3-16265

SUNSHADE OPTIONS:

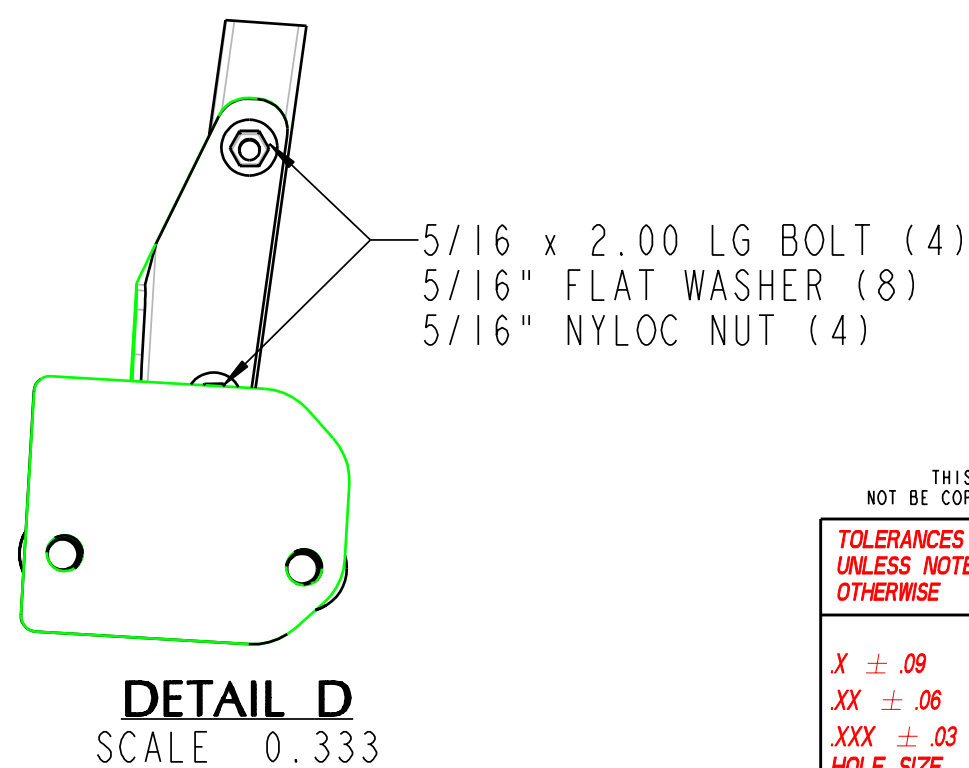
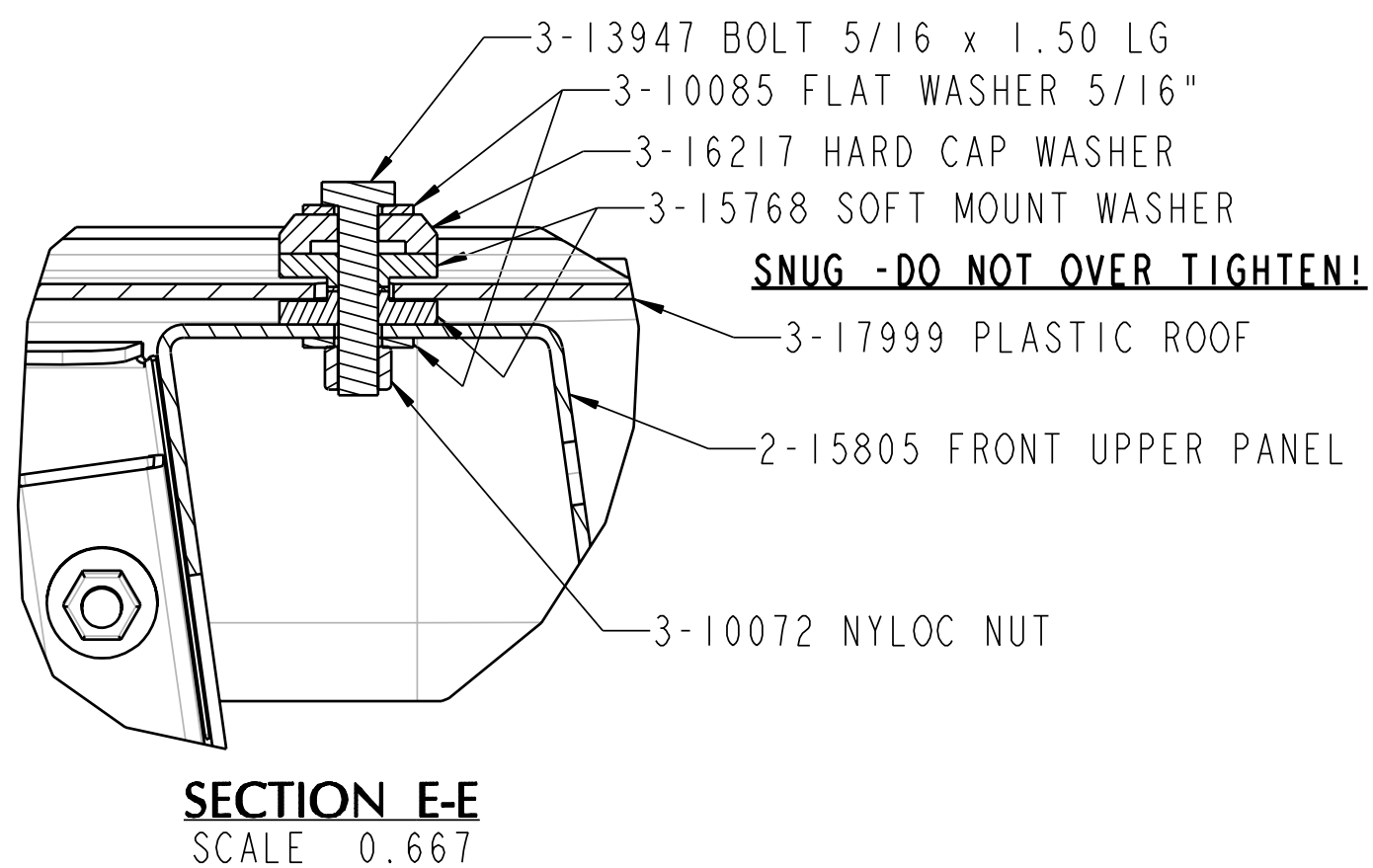
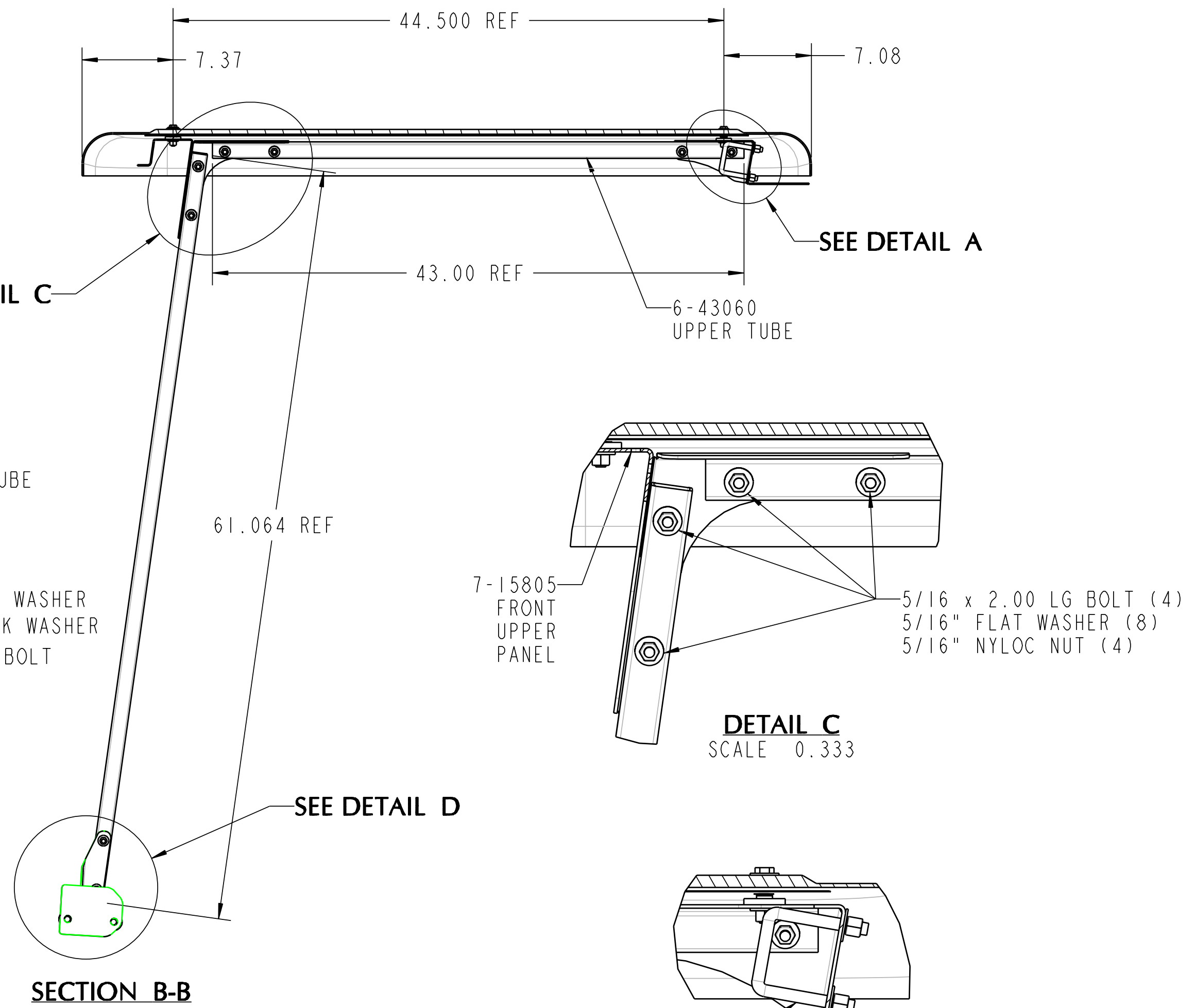
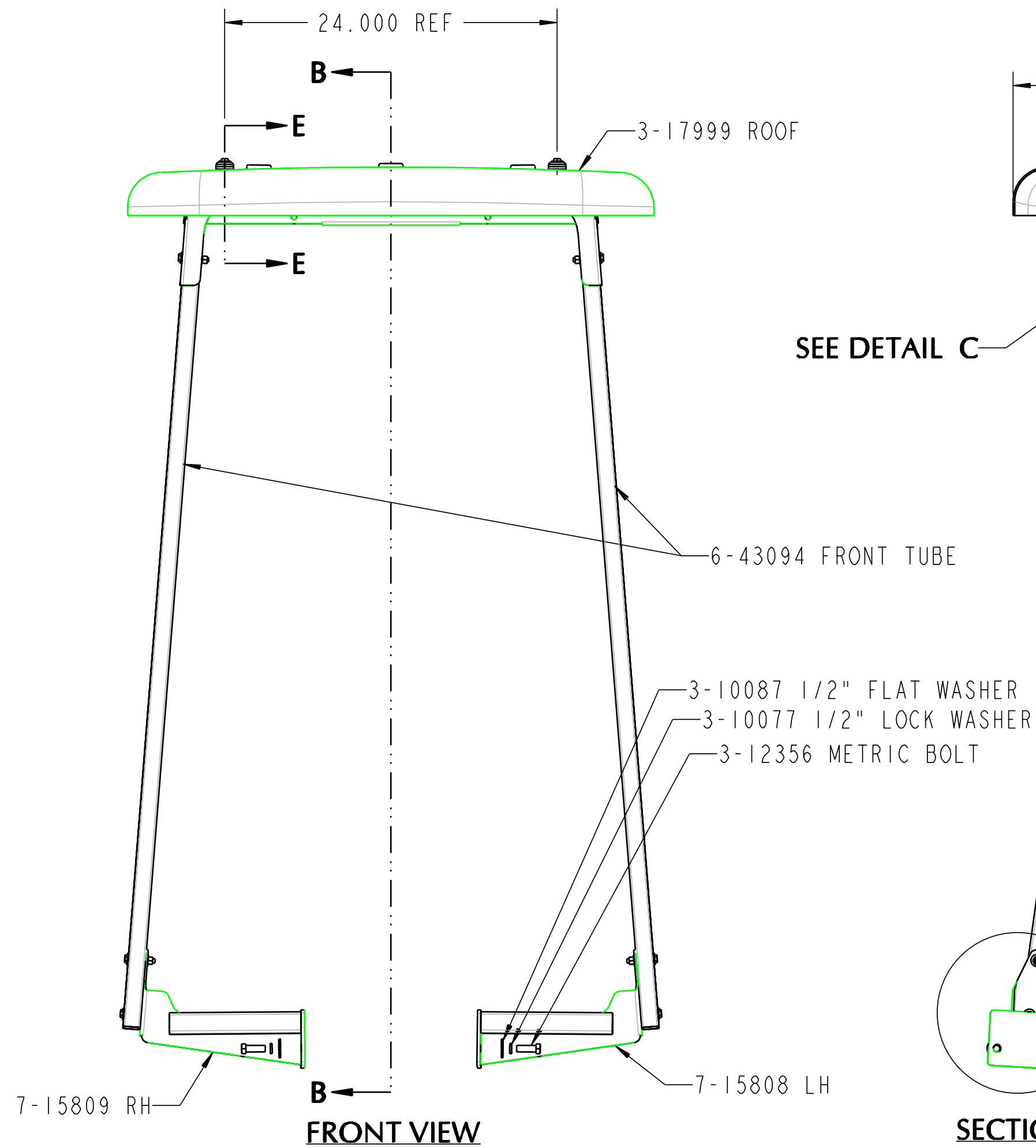
- 4-14710 -LIGHT KIT WITH 2 FRONT AND 1 REAR
- 4-14711 -WARNING FLASHER KIT, AMBER WITH BRACKET
- 4-14712 -SWITCH AND RELAY BREAKER KIT
(REQUIRED WITH EITHER KIT ABOVE)

SCALE 0.150

THIS DOCUMENT CONTAINS CONFIDENTIAL INFORMATION AND IS THE PROPERTY OF CUSTOM PRODUCTS OF LITCHFIELD, INC. AND MAY NOT BE COPIED, REPRODUCED OR DISCLOSED IN ANY MANNER WITHOUT EXPRESSED WRITTEN CONSENT FROM CUSTOM PRODUCTS OF LITCHFIELD, INC.

TOLERANCES UNLESS NOTED OTHERWISE .X ± .09 .XX ± .06 .XXX ± .03 HOLE SIZE .005/.010 ANGLE ± 5°	CUSTOMER NAME & MOD NO.: A-11291 JD 2210		MATL SPEC: SEE BOM	
	CUSTOM PRODUCTS 1715 SOUTH SIBLEY AVE. LITCHFIELD, MN 55355			
TITLE: SUNSHADE KIT		DRWG SIZE: C	DRWG NO.: 8-14714 SHEET 1 of 2	REV LEVEL: -
		DRAWN: CAD	DATE: 5-6-03	

REV.	DCR NO.	DESCRIPTION	DRAFTSMAN	DATE
		RELEASED	CAD	6-19-02



THIS DOCUMENT CONTAINS CONFIDENTIAL INFORMATION AND IS THE PROPERTY OF CUSTOM PRODUCTS OF LITCHFIELD, INC. AND MAY NOT BE COPIED, REPRODUCED OR DISCLOSED IN ANY MANNER WITHOUT EXPRESSED WRITTEN CONSENT FROM CUSTOM PRODUCTS OF LITCHFIELD, INC.

TOLERANCES UNLESS NOTED OTHERWISE	CUSTOMER NAME & MOD NO.: A-11291 JD 2210	MATL SPEC: SEE SHEET 1
	CUSTOM PRODUCTS 1715 SOUTH SIBLEY AVE. LITCHFIELD, MN 55355	
X ± .09 XX ± .06 XXX ± .03 HOLE SIZE .005/-.010 ANGLE ± 5°	TITLE: SUNSHADE KIT	DRWG SIZE: C DRWG NO.: 8-14714 SHEET 2 of 2 REV LEVEL: -
	DRAWN: CAD	DATE: 5-6-03