

COZY CABS

TORO 325-D, 345

CANOPY MANUAL

CANOPY A-11174



Manufactured by:

CUSTOM PRODUCTS
OF LITCHFIELD, INC.

BOX 718 • LITCHFIELD, MINNESOTA 55355
(320) 693-3221 Fax: (320) 693-7252
1-800-222-5463

SAFETY INSTRUCTIONS

Read operator's manual. Be thoroughly familiar with the controls, capabilities, and proper use of the equipment.

NEVER ALLOW ANY RIDERS.

Thoroughly inspect Roll Bar and Roll Bar Mounting periodically.

Thoroughly inspect Canopy and Canopy Mounting periodically.

Stay alert for hidden hazards and traffic.

Avoid sudden starts, excessive speeds, and sudden stops when operating on hillside, rough ground and most off-the-road operations.

Use extreme care when working close to fences, ditches, or on hillsides.

Wait for tractor to STOP before dismounting.

Check clearance carefully before driving under any objects.

Avoid operating sideways on a steep slope whenever possible.

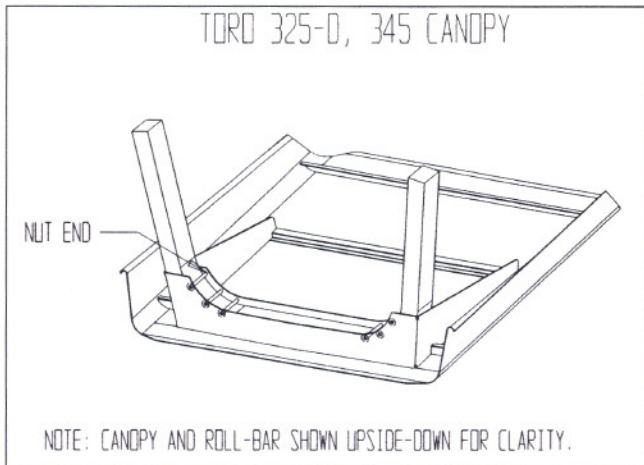
ALWAYS buckle safety belt while operating tractor.

Never exceed factory recommended specifications.

Do not weld, cut, drill or modify ROPS in any manner unless instructed by manufacturer.

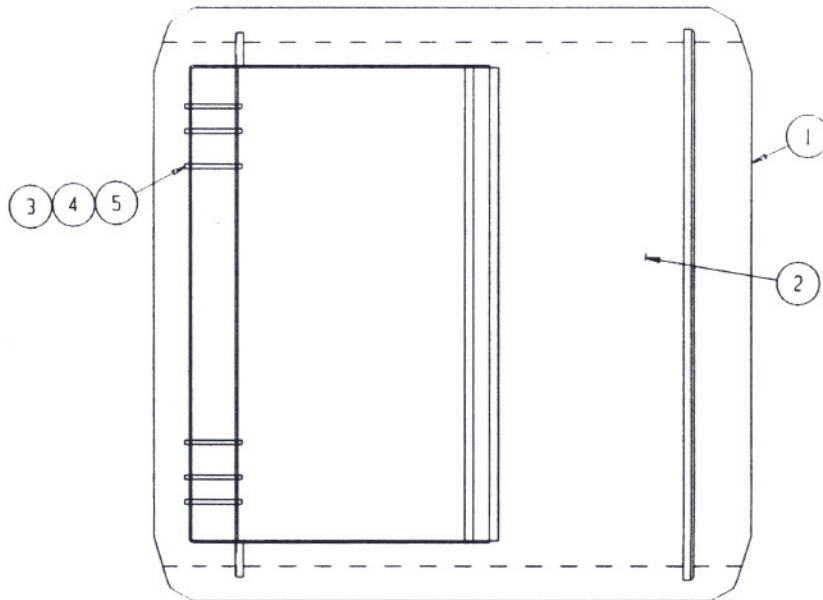
MOUNTING INSTRUCTIONS

For Canopy on 325-D, 345
Toro 2-Post Roll Bar



1. Set canopy on roll bar and center.
2. Install six 5/16" x 4.00" bolts, flat washers, and nuts.

Figure 1



REPLACEMENT PARTS CANOPY OPTION (A-11147) to fit TORO 325-D, 345

Item	Qty.	Part No.	Description
		A-11174	Canopy Option Complete
1	1	2-15086	Canopy Weldment Only
2	1	1-39358	Canopy Insulation (1" x 32" x 38")
3	6	3-10072	5/16" Nut, Hex Nylock
4	12	3-10085	5/16" Flat Washer
5	6	3-10387	5/16" x 4.00" Hex Head Cap Screw