

COZY CABS

CANOPY KIT

MOUNTING INSTRUCTIONS

With Parts Listings
and Drawings

for

TORO 4500-D



Manufactured by:

CUSTOM PRODUCTS
OF LITCHFIELD, INC.

BOX 718 • LITCHFIELD, MINNESOTA 55355
(320) 693-3221 Fax: (320) 693-7252
1-800-222-5463

05-10311
April 1996

TORO 4500-D CANOPY KIT INSTALLATION INSTRUCTIONS

STEP 1.

Insert the canopy support into predrilled holes.
(See photograph 1.)

STEP 2.

Apply the Velcro that secures the top. Before applying the Velcro strips to the ROPS and door frame, hold the respective panels in place, observing the optimum location for the Velcro.
(See photograph 1.)

STEP 3.

Apply roof panel. Maintain a light tension when applying to keep the panels wrinkle free.

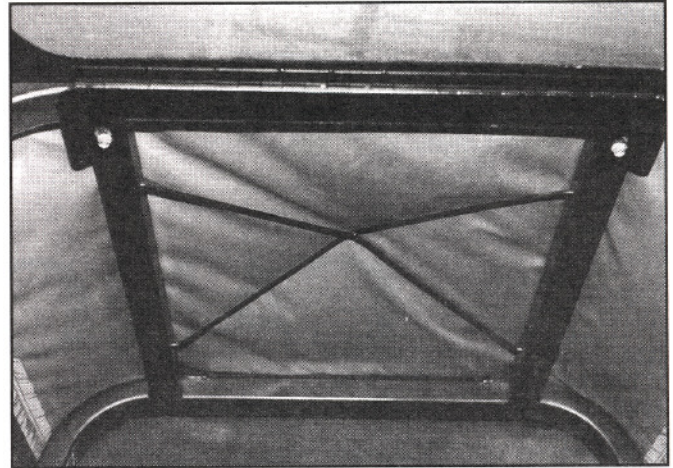
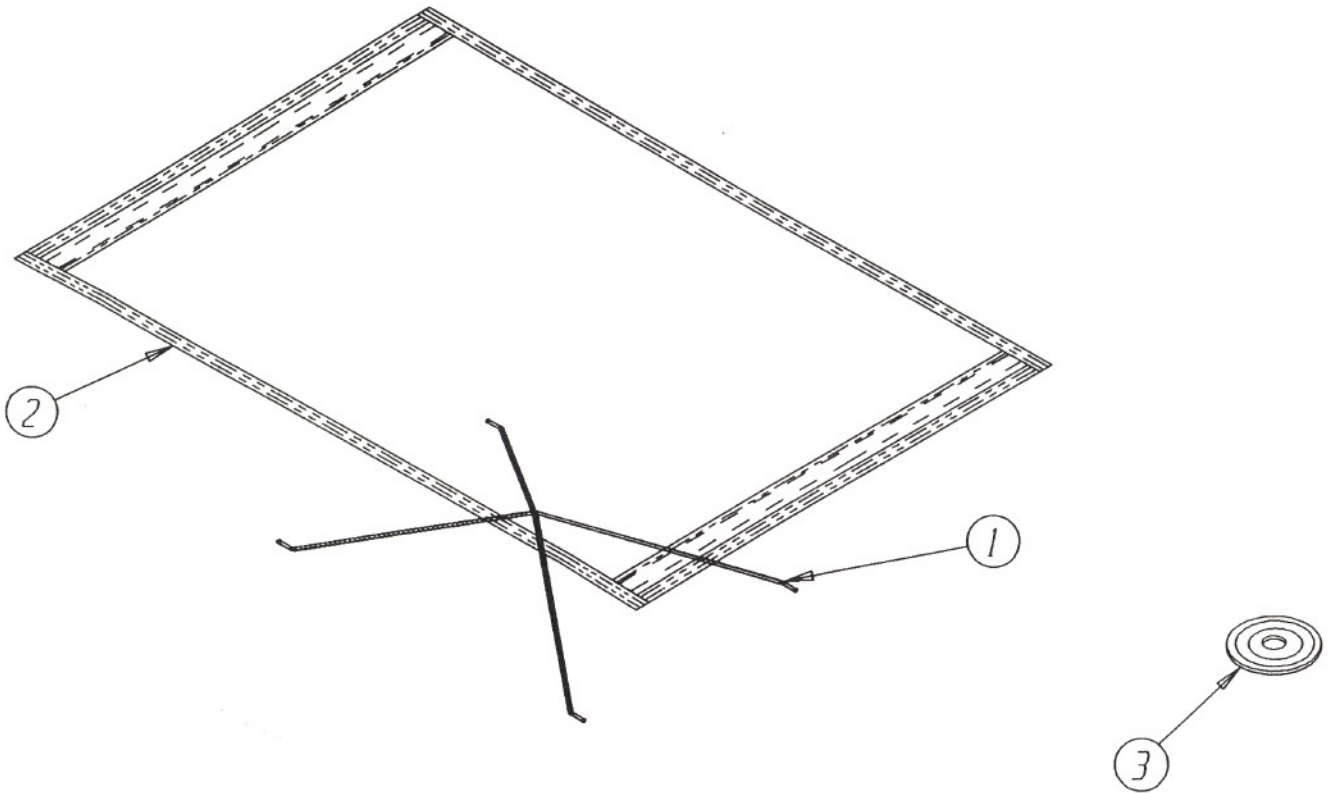


Photo 1



Replacement Parts List
TORO 4500-D CANOPY KIT
4-13193

ITEM	QTY	PART NO.	DESCRIPTION
1	1	2-14596	Canopy, Rod Weldment
2	1	4-13188	Canopy Assembly
3	9'	3-10633	Velcro, Hook, PSA