



DEFROSTER FAN KIT OPTION

Part No. 4-13140

MOUNTING INSTRUCTIONS

With Parts Listing and Drawing

Manufactured by:



BOX 70 • LITCHFIELD, MINNESOTA 55355-0070

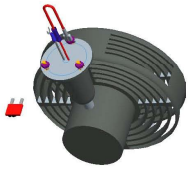
(320) 693-3221 Fax: (320) 693-7252

www.800cabline.com

MOUNTING INSTRUCTIONS With Parts Listing

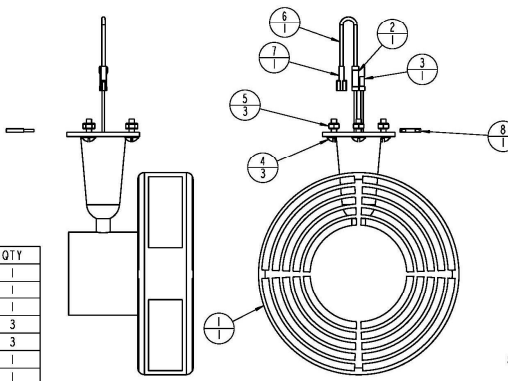
On John Deere X700 Series the fan must be mounted to the headliner panel. **DO NOT DRILL INTO UPPER SIDE MEMBERS OR ROLL BAR TUBE. Doing so will compromise ROPS protection and the ROPS certification.**

1. Fasten the fan to the headliner with three #10-24 x .625 screws. Lower headliner and remove hole plugs in fan mount location. If not pre-drilled use the fan to mark (3) .25+ holes. Drill (1) .50+ hole in center of hole pattern for wires. See drawing for suggested location.
 - A. Fasten the fork end terminal to the end of the black wire. See drawing.
 - B. Fasten the butt splice terminal to the end of the red wire. See drawing.
 - C. Strip both ends of the red wire provided and fasten one end of the wire to the butt splice terminal. Fasten the female slide terminal to the other end. See drawing.
2. Slide the fork end terminal under the nut of one of the mounting screws and tighten.
3. Route the red wire to the fuse block. Slide the female connector on to an open terminal on the fuse block. Insert the 10 amp fuse into the slot next to where you attached the female slide connector.



SCALE 0.375

PARTS BOXED UNASSEMBLED



SCALE 0.500

ITEM #	DESCRIPTION	QTY
1	3-15346_DEFROSTER_FAN	1
2	3-10672_BUTT_SPLICE_14GA_BLUE	1
3	3-10671_TERM_FORK_NO10_BLUE	1
4	3-10104_MSCR_NO10_X_63_THSL	3
5	3-10308_1024_NYLOCK	3
6	3-10364_WIRE_RED_14GA_42	1
7	3-10670_BLADE_CON_250_14GA_BLUE	1
8	3-16057_FUSE_10_AMP	1
9	05-10291_MNT_INSTR	SEE BOM
10	05-11145_LABEL_BOX	SEE BOM

REV. A	DCY. NO. 9968	DESCRIPTION REDRAWN IN PRO E, ADDED NUTS, RED WIRE WAS BLACK	DRAFTSMAN SRB	DATE 10/28/10
--------	---------------	--	---------------	---------------

THIS DRAWING CONTAINS CONFIDENTIAL INFORMATION AND IS THE PROPERTY OF CUSTOM PRODUCTS OF LITCHFIELD, INC. AND MAY NOT BE COPIED, REPRODUCED OR DISCLOSED TO ANY PARTY WITHOUT EXPRESS WRITTEN CONSENT FROM CUSTOM PRODUCTS OF LITCHFIELD, INC.

CUSTOMER NAME & ADDR: JD L & G	DATE SPEC:
CUSTOMER PRODUCTS: 175 SOUTH SABLEY AVE LITCHFIELD, MN 55353	DATE SPEC:
TOLERANCES UNLESS NOTED OTHERWISE:	REV. LEVEL:
.3" ± .00	REV. B
.300" ± .00	DATE: 4-13-10
HOLE SIZE	DRAWN: SRB
ANGLE ± .5°	DATE: 8-20-93

